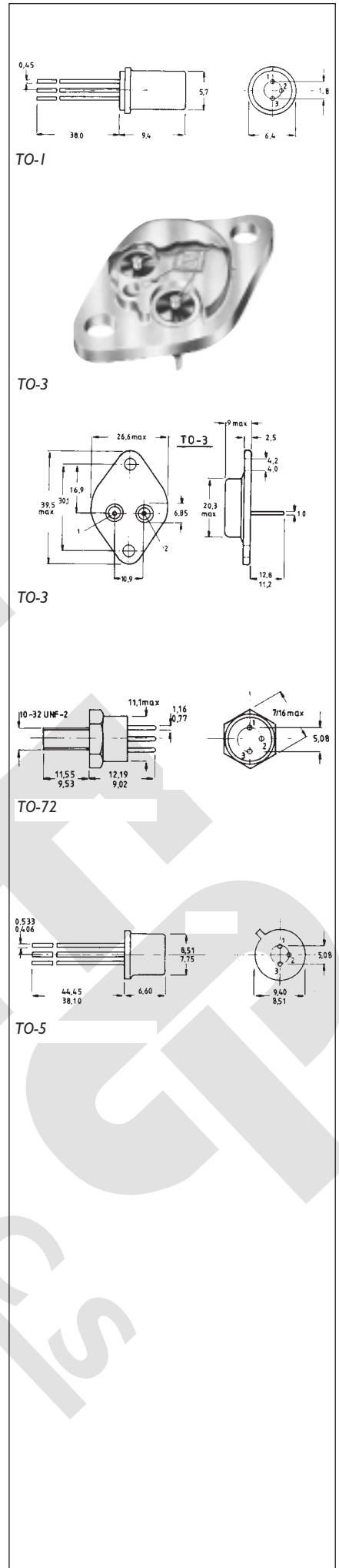


Transistoren

Germanium transistoren

art.nr.	typenr.	omschrijving	S	huis	brutoprijs in fl.
171.0000	AA 412	Service transistor			
170.0001	AC 117K	GE, 32 VOLT, 1 A, 1 WATT, HFe>40	P	X9	
170.1008	AC 121	GE, 20 VOLT, 300 mA, 900 mWATT, HFe >30	P	TO 1	
170.1015	AC 122	GE, 30 VOLT, 200 mA, HFe >40	P	TO 1A	
170.1022	AC 125	GE, 12 VOLT, 100 mA, 500 mWATT, HFe >50	P	XO 4	
170.1029	AC 126	GE, 12 VOLT, 100 mA, 500 mWATT, HFe >100	P	TO 1	
170.1036	AC 127	GE, 12 VOLT, 500 mA, 340 mWATT, HFe >50	N	TO 1	
170.1043	AC 128	GE, 16 VOLT, 1 A, 1 WATT, HFe 45/165	P	TO 1	
170.1050	AC 132	GE, 32 VOLT, 200 mA, 500 mWATT, HFe 135	P	TO 1	
170.1057	AC 151	GE, 24 VOLT, 200 mA, 900 mWATT, HFe >30	P	TO 1	
170.1064	AC 152	COMPLEMENTAIR MET AC 127	P	TO 1	
170.1071	AC 153	GE, 32 VOLT, 2 A, 1 WATT, HFe >50	P	TO 1A	
171.0001	AC 162	GE, 32 VOLT, 0,2 A, HFe >80	P	TO 1	
170.1078	AC 175	GE, 25 VOLT, 1 A, 1,1 WATT	N	X9	
170.1085	AC 176	GE, 32 VOLT, 1 A, 220 mWATT, HFe 52/180	N	TO 1	
170.1092	AC 187	GE, 15 VOLT, 2 A, 250 mWATT, HFe >100	N	TO 1	
170.1099	AC 187K	GE, = AC 187 MET KOELBLOKJE	N	xs	
170.1106	AC 188	GE, COMPLEMENTAIR MET AC 187	P	TO 1	
170.1113	AC 187/188	GE, GEPAARD	P/N	TO 1	
170.1120	AC 188K	GE, COMPLEMENTAIR MET AC 187K	P	X9	
170.1127	ACY 20	GE, 40 VOLT, 500 mA, 260 mW, HFe >50	P	TO 5	
170.1134	AD 105	GE, 85 VOLT, 15 A, 23 WATT, HFe >40	P	TO 3	
170.1141	AD 130	GE, 32 VOLT, 3 A, 30 WATT, HFe >40	P	TO 3	
170.1148	AD 131	GE, 64 VOLT, 3 A, 30 WATT, HFe >40	P	TO 3	
170.1155	AD 132	GE,80VOLT,3A,30WATT,HFe >30	P	TO3	
170.1162	AD 133	GE, 32 VOLT, 15 A, 36 WATT, HFe >20	P	TO 3	
170.1176	AD 139	GE, 32 VOLT, 3 A, 13 WATT, HFe >30	P	SOT 9	
170.1183	AD 142	GE, 80 VOLT, 10 A, 30 WATT, HFe >30	P	TO 3	
170.1190	AD 143	GE, 40 VOLT, 30 WATT, HFe >30	P	TO 3	
170.1197	AD 148	GE,26VOLT,3,5A, 13,5WATT,HFe>30	P	SOT9	
170.1204	AD 149	GE, 30 VOLT, 3,5A, 27,5 WATT, HFe >30	P	TO 3	
170.1211	AD 150	GE, 32 VOLT, 3,5 A, 27 WATT, HFe >30	P	TO 3	
170.1225	AD 155	GE, 45 VOLT, 1 A, 6 WATT, HFe >35	P	SOT 9	
170.1246	AD 161	GE, 20 VOLT, 3 A, 4 WATT, HFe >80	N	SOT 9	
170.1253	AD 162	GE, COMPLEMENTAIR MET AD 161	P	SOT	
170.1260	AD 161/162	GE, GEPAARD	P/N	SOT	
170.1267	AD 163	GE, 100 VOLT, 3 A, 30 WATT, HFe >12	P	TO 3	
170.1274	AD 164	GE, 25 VOLT, 1 A, 5 WATT, HFe >60	P	SOT 9	
170.1281	AD 166	GE, 60 VOLT, 5 A, 27 WATT, HFe >40	P	TO 3	
170.1288	AD 167	GE, 75 VOLT, 5 A, 27 WATT, HFe >100	P	TO 3	
170.1295	AD 262	GE,35VOLT,4A, 10WATT,HFe>30	P	SOT9	
170.1302	AD 263	GE, 60 VOLT, 4 A, 10 WATT, HFe >20	P	SOT 9	
170.1309	AF 106	GE, 20 VOLT, 10 mA, 60 mWATT, HFe >25	P	TO 72	
170.1316	AF 109	GE, 25 VOLT, 12 mA, 60 mWATT, HFe >20	P	TO 72	
171.0002	AF 115	GE, 20 VOLT, 10 mA, 50 mWATT,	P	TO 7	
171.0003	AF 117	GE, 20 VOLT, 10 mA, 50 mWATT,	P	TO 7	
170.1337	AF 118	GE, 70 VOLT, 30 mA, 375 mWATT,	P	TO 7	
170.1344	AF 121	GE, 25 VOLT, 10 mA, 60 mWATT, HFe >30	P	TO 72	
170.1358	AF 124	GE, 32 VOLT, 10 mA, 75 mWATT, HFe >50	P	TO 72	
170.1365	AF 125	GE, 20 VOLT, 10 mA, 75 mWATT, HFe >50	P	TO 72	
170.1372	AF 126	GE, 20 VOLT, 10 mA, 75 mWATT, HFe >50	P	TO 72	
170.1379	AF 127	GE, 32 VOLT, 10 mA, 75 mWATT, HFe >50	P	TO 72	
170.1386	AF 137	GE, 25 VOLT, 10 mA. 60 mWATT, HFe >30	P	TO 72	
170.1393	AF 139	GE, 15 VOLT, 10 mA, 860 mWATT, HFe >10	P	TO 72	
171.0004	AF 186	GE, 25 VOLT, 15 mA, 100 mWATT, HFe >20	P		
170.1407	AF 200	GE, 25 VOLT, 10 mA, 225 mWATT, HFe >30	P	TO 72	
170.1414	AF 201	GE, 25 VOLT, 10 mA, 225 mWATT, HFe >20	P	TO 72	
170.1421	AF 202	GE, 25 VOLT, 300 mA, 225 mW, HFe >20	P	TO72	
170.1428	AF 239	GE, 15 VOLT, 10 mA, 60 mWATT, HFe >10	P	TO72	
170.1435	AF 240S	GE, 15 VOLT, 10 mA, 60 mWATT, HFe >10	P	TO 72	
170.1442	AF 279S	GE, 15 VOLT, 10 mA, 60 mWATT, HFe >10	P	X 37	
170.1449	AF 280	GE, 20 VOLT, 10 mA, 60 mWATT, HFe >10	P	X 63	
170.1456	AF 367	GE, 20 VOLT, 10 mA, 60 mWATT, HFe >10	P	X 32	
170.1470	AL 100	GE, 130 VOLT, 10 A, 30 WATT, HFe >40	P	TO 3	
170.1477	AL 102	GE, 130 VOLT, 6 A, 30 WATT, HFe >40	P	TO 3	
170.1484	AL 103	GE, 100 VOLT, 6 A, 30 WATT, HFe >40	P	TO 3	
170.1491	ASY 26	GE, 15 VOLT, 200 mA, 150 mW, HFe 30/80	P	TO 5	
170.1498	ASY 27	GE, 15 VOLT, 300 mA, 150 mW, HFe >30	P	TO 5	
170.1505	ASY28	GE, 30 VOLT, 200mA, 150mW, HFe>20	N	TO5	
170.1512	ASY 29	GE, 25 VOLT, 200 mA, 150 mW, HFe >20	N	TO 5	
170.1515	ASY 67	GE, 50 VOLT, 50 mA, 260 mW, HFe >26	P	TO 1	
170.1519	ASY 74	GE, 30 VOLT, 400 mA, 140 mW, HFe >35	N	TO 5	

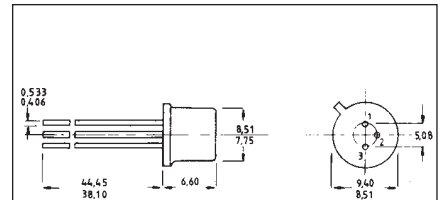


Germanium transistoren

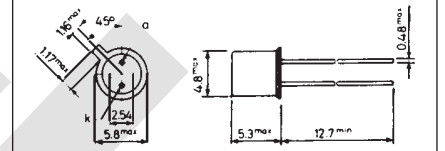
art.nr.	typenr.	omschrijving	S	huis	brutoprijs in fl.
170.1526	ASY 76	GE, 40 VOLT, 500 mA, 260 mW, HFe >26	P	TO 5	
170.1540	ASY 77	GE, 20 VOLT, 1 A, 240 mWATT, HFe >130	P	TO 5	
170.1547	ASZ 15	GE, 60 VOLT, 8A, 30 WATT, HFe >30	P	TO 3	
170.1554	ASZ 16	GE, 32 VOLT, 8A, 30 WATT, HFe >80	P	TO 3	
170.1561	ASZ 17	GE, 60 VOLT, 3A, 30 WATT, HFe >45	P	TO 3	
170.1568	ASZ 18	GE, 32 VOLT, 8A, 30 WATT, HFe >65	P	TO 3	
170.1575	AU 106	GE, 320 VOLT, 10A, 5 WATT, HFe >80	P	TO 3	
170.1582	AU 107	GE, 200 VOLT, 10A, 30 WATT, HFe 120	P	TO 3	
170.1589	AU 108	GE 100V,10A, 30 WATT, HFe >200	P	TO 3	
170.1596	AU 110	GE 160V,10A, 30 WATT, HFe >90	P	TO 3	
170.1603	AU 111	GE 320V,10A, 30 WATT, HFe >80	P	TO 3	
170.1910	AU 112	GE 320V,10A, 30 WATT, HFe >40	P	TO 3	
170.1917	AU 113	GE 250V,10A, 30WATT, HFe >80	P	TO 3	
170.1931	AU 210	GE 140V,10A, 5 WATT, HFe >80	P	TO	

Silicium transistoren

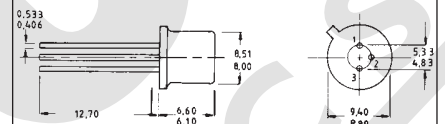
art.nr.	typenr.	omschrijving	S	huis	brutoprijs in fl.
170.1938	AU 213	GE 250V,10A, 5 WATT, HFe >80	P	TO 3	
171.0005	BC 107A	45 VOLT, 300 mA, 360 mWATT, HFe >125	N	TO 18	
170.2007	BC 107B	45 VOLT, 300 mA, 360 mWATT, HFe >200	N	TO 18	
170.2014	BC 107C	50 VOLT, 100 mA, 0,3 WATT, HFe >450	N	TO 18	
171.0006	BC 108A	25 VOLT, 300 mA, 360 mWATT, HFe >125	N	TO 18	
170.2021	BC 108B	25 VOLT, 300 mA, 360 mWATT, HFe >200	N	TO 18	
170.2028	BC 108C	25 VOLT, 300 mA, 360 mWATT, HFe >420	N	TO 18	
170.2035	BC 109B	20 VOLT, 300 mA, 360 mWATT, HFe >200	N	TO 18	
170.2042	BC 109C	25 VOLT, 300 mA, 360 mWATT, HFe >420	N	TO 18	
171.0007	BC 138	60 VOLT, 1 A, 5 WATT, HFe >50	N	TO 39	
170.2049	BC 140	80 VOLT, 1 A, 3,7 WATT, HFe >40	N	TO 39	
170.2050	BC 140-10	40 VOLT, 1 A, 5 WATT, HFe >63	N	TO 39	
170.2056	BC 141	100 VOLT, 1 A, 3,7 WATT, HFe >40	N	TO 39	
170.2057	BC 141-10	60 VOLT, 1 A, 5 WATT, HFe >63	N	TO 39	
170.2063	BC 142	80 VOLT, 1 A, 800mWATT, HFe >20	N	TO 39	
170.2070	BC 143	60 VOLT, 1 A, 800mWATT, HFe >20	P	TO 39	
170.2077	BC 147B	50 VOLT, 100 mA, 220 mWATT, HFe >200	N	XO 9	
170.2084	BC 148B	30 VOLT, 200 mA, 250 mWATT, HFe >200	N	XO 9	
170.2091	BC 149B	30 VOLT, 200 mA, 250 mWATT, HFe >200	N	XO 9	
170.2098	BC 149C	30 VOLT, 200 mA, 250 mWATT, HFe >420	N	XO 9	
170.2105	BC 154	40 VOLT, 100 mA, 200 mWATT, HFe >160	N	TO 106	
171.0008	BC 157A	50 VOLT, 100 mA, 300 mWATT, HFe >125	P	XO 9	
170.2119	BC 157B	50 VOLT, 100 mA, 300 mWATT, HFe >180	P	XO 9	
171.0009	BC 158A	30 VOLT, 100 mA, 300 mWATT, HFe >50	P	XO 9	
170.2126	BC 158B	30 VOLT, 100 mA, 300 mWATT, HFe >120	P	XO 9	
171.0010	BC 159A	COMPLEMENTAIR MET BC 149A	P	XO 9	
170.2140	BC 159B	COMPLEMENTAIR MET BC 149B	P	XO 9	
170.2147	BC 160	40 VOLT, 1 A, 3,2 WATT, HFe >40	P	TO 39	
171.0011	BC 160/6	40 VOLT, 1 A, 3,2 WATT, HFe >40	P	TO 39	
170.2148	BC 160-10	COMPLEMENTAIR MET BC 140-10	P	TO 39	
170.2154	BC 161	60 VOLT, 1 A, 3,2 WATT, HFe >40	P	TO 39	
171.0012	BC 161/6	60 VOLT, 1 A, 3,2 WATT, HFe >40	P	TO 39	
170.2155	BC 161-10	COMPLEMENTAIR MET BC 141-10	P	TO 39	
170.2161	BC 167B	45 VOLT, 100 mA, 300 mWATT, HFe >120	N	TO 92	
170.2168	BC 168B	20 VOLT, 100 mA, 300 mWATT, HFe >120	N	TO 92	
170.2175	BC 169B	20 VOLT, 100 mA, 300 mWATT, HFe >240	N	TO 92	
171.0014	BC 169C	20 VOLT, 100 mA, 300 mWATT, HFe >450	N	TO 92	
170.2182	BC 170A	20 VOLT, 100 mA, 300 mWATT, HFe >35	N	X 10	
170.2189	BC 170B	20 VOLT, 100 mA, 300 mWATT, HFe >80	N	X 10	
170.2196	BC 170C	20 VOLT, 100 mA, 300 mWATT, HFe >200	N	X 10	
171.0013	BC 171A	45 VOLT, 100 mA, 300 mWATT, HFe >125	N	X 10	
170.2203	BC 171B	45 VOLT, 100 mA, 300 mWATT, HFe >240	N	X 10	
170.2210	BC 171C	45 VOLT, 100 mA, 300 mWATT, HFe >450	N	X 10	
170.2217	BC 172B	25 VOLT, 100 mA 350 mWATT, HFe >240	N	X 10	
170.2224	BC 172C	25 VOLT, 100 mA, 300 mWATT, HFe >450	N	X 10	
170.2231	BC 173B	25 VOLT, 100 mA, 300 mWATT, HFe >240	N	X 10	
170.2238	BC 173C	25 VOLT, 100 mA, 300 mWATT, HFe >450	N	X 10	
170.2245	BC 174B	64 VOLT, 100 mA, 300 mWATT, HFe >240	N	X 10	
170.2252	BC 174C	64 VOLT, 100 mA, 300 mWATT, HFe >450	N	X 10	
171.0015	BC 177A	COMPLEMENTAIR MET BC 107A	P	TO 18	
170.2259	BC 177B	COMPLEMENTAIR MET BC 107B	P	TO 18	
171.0016	BC 177C	COMPLEMENTAIR MET BC 107C	P	TO 18	
171.0017	BC 178A	30 VOLT, 100 mA, 300 mWATT, HFe >50	P	TO 18	
170.2266	BC 178B	30 VOLT, 100 mA, 300 mWATT, HFe >180	P	TO 18	
170.2273	BC 179B	COMPLEMENTAIR MET BC 108B	P	TO 18	



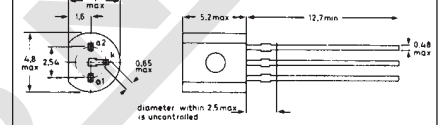
TO-5



TO-18



TO-39



TO-92

Transistoren

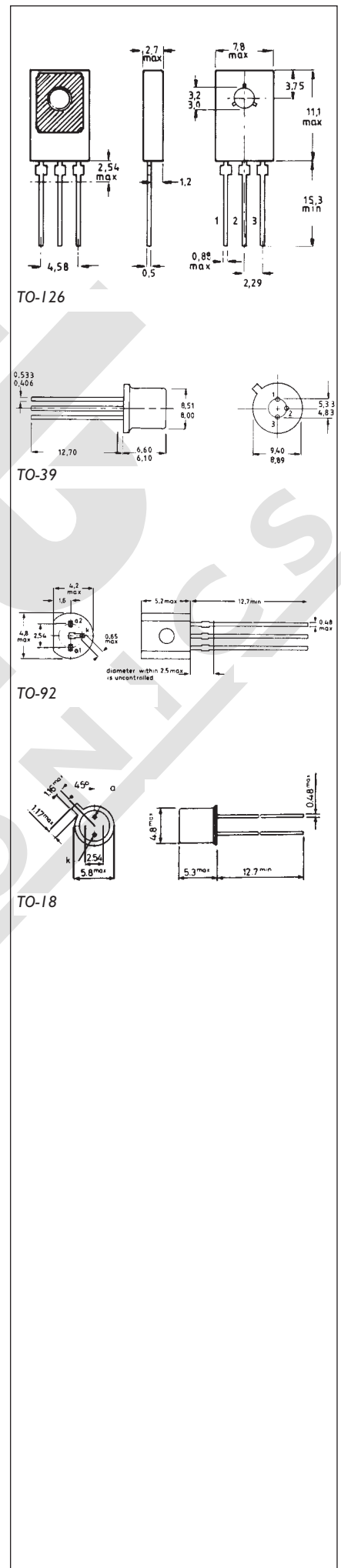
Silicium transistoren (vervolg)

art.nr.	typenr.	omschrijving	S	huis	brutoprijs in fl.
170.2280	BC 179C	COMPLEMENTAIR MET BC 109C	P	TO 18	
170.2287	BC 181	25 VOLT, 200 mA, 300 mWATT, HFe >60	P	X 10	
170.2294	BC 182B	50 VOLT, 100 mA, 350 mWATT HFe >240	N	X 10	
170.2301	BC 183B	45 VOLT, 200 mA, 300 mWATT HFe >240	N	X 10	
170.2308	BC 183C	30 VOLT, 100 mA, 350 mWATT, HFe >450	N	X 10	
170.2315	BC 184B	30 VOLT, 100 mA, 350 mWATT, HFe >240	N	X 10	
170.2322	BC 184C	30 VOLT, 100 mA, 350 mWATT, HFe >450	N	X 10	
170.2329	BC 190	64 VOLT, 100 mA, 300 mWATT, HFe >100	N	TO 18	
171.0018	BC 205	45 VOLT, 100 mA, 200 mWATT, HFe >100	P	TO 106	
170.2371	BC 207B	45 VOLT, 100 mA, 300 mWATT, HFe >240	N	TO 106	
170.2378	BC 208B	20 VOLT, 100 mA 300 mWATT, HFe >450	N	TO 106	
171.0019	BC 211	COMPLEMENTAIR MET BC 181	P	X 10	
171.0020	BC 212	COMPLEMENTAIR MET BC 182	P	X 10	
170.2399	BC 212B	COMPLEMENTAIR MET BC 182B	P	X 10	
171.0021	BC 213	45 VOLT, 200 mA, 300 mWATT, HFe >100	P	X 10	
170.2406	BC 213B	45 VOLT, 200 mA, 300 mWATT, HFe >200	P	X 10	
170.2413	BC 213C	45 VOLT, 200 mA, 300 mWATT, HFe >350	P	X 10	
171.0022	BC 214	45 VOLT, 200 mA, 300 mWATT, HFe >100	P	X 10	
170.2420	BC 214B	45 VOLT, 200 mA, 300 mWATT, HFe >200	P	X 10	
170.2427	BC 214C	COMPLEMENTAIR MET BC 184C	P	X 10	
171.0023	BC 223	50 VOLT, 400 mA, 360 mWATT, HFe >100	N	X 55	
170.2441	BC 231A	35 VOLT, 350 mA, 600 mWATT, HFe >100	P	TO 106	
170.2448	BC 232A	35 VOLT, 350 mA, 600 mWATT, HFe >100	N	TO 106	
171.0024	BC 237A	45 VOLT, 100 mA, 350 mWATT, HFe >100	N	X 10	
170.2455	BC 237B	45 VOLT, 100 mA, 350 mWATT, HFe >200	N	X 10	
170.2462	BC 238B	26 VOLT, 100 mA, 350 mWATT, HFe >200	N	X 10	
170.2469	BC 238C	25 VOLT, 100 mA, 350 mWATT, HFe >420	N	X 10	
170.2476	BC 239B	25 VOLT, 100 mA, 350 mWATT, HFe >200	N	X 10	
170.2483	BC 239C	25 VOLT, 100 mA, 350 mWATT, HFe >420	N	X 10	
170.2490	BC 250B	20 VOLT, 100 mA, 300 mWATT, HFe >80	P	X 10	
171.0025	BC 251A	45 VOLT, 100 mA, 350 mWATT, HFe >100	P	X 10	
170.2497	BC 251B	45 VOLT, 100 mA, 350 mWATT, HFe >240	P	X 10	
170.2504	BC 251C	45 VOLT, 100 mA, 300 mWATT, HFe >450	P	X 10	
171.0026	BC 252A	25 VOLT, 100 mA, 300 mWATT, HFe >100	P	X 10	
170.2511	BC 252B	25 VOLT, 100 mA, 300 mWATT, HFe >240	P	X 10	
170.2518	BC 252C	25 VOLT, 100 mA, 300 mWATT, HFe >450	P	X 10	
170.2525	BC 253B	25 VOLT, 100 mA, 300 mWATT, HFe >240	P	X 10	
170.2532	BC 253C	25 VOLT, 100 mA, 300 mWATT, HFe >450	P	X 10	
171.0027	BC 254	100 VOLT, 30 mA, 250 mWATT, HFe >50	N	TO 92	
171.0028	BC 255	100 VOLT, 30 mA, 250 mWATT, HFe >50	N	TO 92	
170.2539	BC 256	64 VOLT, 100 mA, 300 mWATT, HFe >125	P	TO 92	
170.2546	BC 257B	45 VOLT, 100 mA, 300 mWATT, HFe >180	P	TO 92	
170.2553	BC 258B	25 VOLT, 100 mA, 300 mWATT, HFe >180	P	TO 92	
170.2560	BC 258C	25 VOLT, 100 mA, 300 mWATT, HFe >180	P	TO 92	
170.2567	BC 259B	20 VOLT, 100 mA, 300 mWATT, HFe >200	P	TO 92	
170.2574	BC 259C	29 VOLT, 100 mA, 300 mWATT, HFe >180	P	TO 92	
171.0029	BC 261B	25 VOLT, 100 mA, 300 mWATT, HFe >240	P	TO 18	
170.2609	BC 262B	25 VOLT, 100 mA, 300 mWATT, HFe >240	P	TO 18	
170.2616	BC 262C	25 VOLT, 100 mA, 300 mWATT, HFe >450	P	TO 18	
170.2637	BC 264	FET N-CHANNEL, 30 VOLT, 10mA, 300mW	N	TO 92	
171.0030	BC 286	70 VOLT, 1 A, 800 mWATT, HFe >50	N	TO 106	
171.0031	BC 287	60 VOLT, 1 A, 800 mWATT, HFe >50	P	TO 106	
170.2651	BC 300	120 VOLT, 1 A, 850 mWATT, HFe >40	N	TO 39	
170.2658	BC 301	90 VOLT, 1 A, 6 WATT, HFe >40	N	TO 39	
170.2565	BC 302	80 VOLT, 1 A, 6 WATT, HFe >40	N	TO 39	
170.2672	BC 303	COMPLEMENTAIR MET BC 301	P	TO 39	
170.2679	BC 304	COMPLEMENTAIR MET BC 302	P	TO 39	
170.2686	BC 307A	COMPLEMENTAIR MET BC 237A	P	X 10	
171.0032	BC 307B	COMPLEMENTAIR MET BC 237B	P	X 10	
171.0033	BC 307C	COMPLEMENTAIR MET BC 237C	P	X 10	
171.0034	BC 308A	COMPLEMENTAIR MET BC 238A	P	X 10	
170.2693	BC 308B	COMPLEMENTAIR MET BC 238B	P	X 10	
170.2700	BC 308C	30 VOLT, 100 mA, 300 mWATT, HFe >450	P	X 10	
171.0035	BC 309A	25 VOLT, 100 mA, 300 mWATT, HFe >100	P	X 10	
170.2707	BC 309B	25 VOLT, 100 mA, 300 mWATT, HFe >250	P	X 10	
170.2714	BC 309C	COMPLEMENTAIR MET BC 239C	P	X 10	
170.2728	BC 317	50 VOLT, 150 mA, 300 mWATT, HFe >100	N	TO 92	
170.2735	BC 318	40 VOLT, 150 mA, 310 mWATT, HFe >100	N	TO 92	
170.2742	BC 319	30 VOLT, 150 mA, 310 mWATT, HFe >200	N	TO 92	
170.2749	BC 320	50 VOLT, 150 mA, 310 mWATT, HFe >110	P	TO 92	
170.2756	BC 321	40 VOLT, 150 mA, 310 mWATT, HFe >110	P	TO 92	
170.2777	BC 325	60 VOLT, 50mA, 360 mWATT, HFe 50/120	P	TO 18	



Silicium transistoren (vervolg)

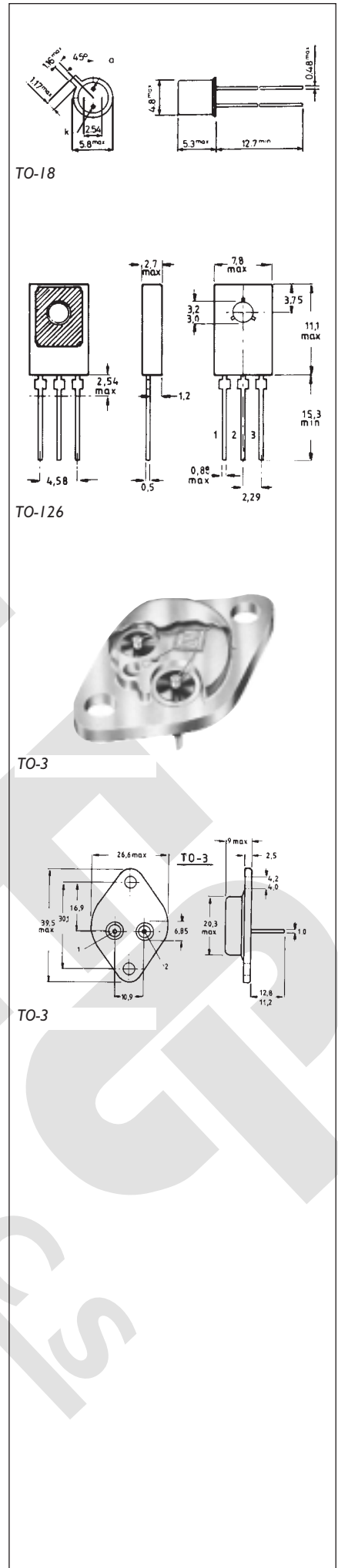
art.nr.	typenr.	omschrijving	S	huis	brutoprijs in fl.
170.2784	BC 327	50 VOLT, 800 mA, 625 mWATT, HFe >63	P	X 10	
170.2791	BC 328	25 VOLT, 800 mA, 625 mWATT, HFe >63	P	X 10	
171.0036	BC 328/16	25 VOLT, 800 mA, 625 mWATT, HFe >100	P	X 10	
170.2805	BC 337	45 VOLT, 800 mA, 360 mWATT, HFe >100	N	TO 92	
170.2812	BC 338	COMPLEMENTAIR MET BC 328	N	X 10	
171.0037	BC 338/16	COMPLEMENTAIR MET BC 328/16	N	X 10	
171.0039	BC 340/16	40 VOLT, 500 mA, 800 mWATT	N	TO 39	
170.2847	BC 368	25 VOLT, 1 A, 1 WATT, HFe >60	N	X 17	
170.2854	BC 369	25 VOLT, 1 A, 800 mWATT, HFe 851375	N	X 10	
171.0040	BC 377	45 VOLT, 1A, 375 mWATT, HFe >75	N	TO 18	
170.2868	BC 413B	30 VOLT, 100 mA, 300 mWATT, HFe >180	N	X 10	
170.2875	BC 413C	30 VOLT, 100 mA, 300 mWATT, HFe >380	N	X 10	
171.0041	BC 414	45 VOLT, 100 mA, 300 mWATT, HFe >240-900	N	X 10	
170.2882	BC 414B	45 VOLT, 100 mA, 300 mWATT, HFe >180	N	X 10	
170.2889	BC 414C	50 VOLT, 100 mA, 300 mWATT, HFe >380	N	X 10	
170.2896	BC 415B	COMPLEMENTAIR MET BC 413	P	X 10	
170.2903	BC 415C	45 VOLT, 100 mA, 300 mWATT, HFe >380	P	X 10	
170.2910	BC 416B	50 VOLT, 100 mA, 300 mWATT, HFe >180	P	X 10	
170.2917	BC 416C	50 VOLT, 100 mA, 300 mWATT, HFe >380	P	X 10	
171.0042	BC 429	45 VOLT, 1 A, 1 WATT, HFe >50-250	N	TO 126	
171.0043	BC 430	45 VOLT, 1 A, 1 WATT, HFe >50-250	P	TO 126	
171.0044	BC 440	40 VOLT, 2 A, 1 WATT, HFe >40-250	N	TO 39	
171.0046	BC 447	80 VOLT, 200 mA, 625 mWATT, HFe >50-460	N	X 10	
171.0047	BC 460	40 VOLT, 2 A, 1 WATT, HFe >40-250	P	TO 39	
171.0048	BC 489A	80 VOLT, 1 A, 625 WATT, HFe >100-250	N	X 10	
170.2959	BC 516	40 VOLT, 400 mA, 625 mWATT, HFe 30000	P	X 10	
170.2966	BC 517	30 VOLT, 400 mA, 625 mWATT, HFe 30000	N	X 10	
171.0049	BC 530	120 VOLT, 100 mA, 625 mWATT, HFe 40-180	P	TO 92	
171.0050	BC 532	140 VOLT, 100 mA, 625 mWATT, HFe 60-250	N	TO 92	
171.0051	BC 546A	65 VOLT, 100 mA, 500 mWATT, HFe >125-260	N	TO 92	
170.2973	BC 546B	80 VOLT, 100 mA, 500 mWATT, HFe >200	N	TO 92	
170.2980	BC 547B	50 VOLT, 100 mA, 500 mWATT, HFe >110	N	TO 92	
170.2981	BC 547C	45 VOLT, 500 mA, 500 mWATT, HFe >150	N	TO 92	
171.0052	BC 548A	30 VOLT, 200 mA, 500 mWATT, HFe >75-150	N	TO 92	
171.0053	BC 548	30 VOLT, 200 mA, 500 mWATT, HFe >125-900	N	TO 92	
170.2987	BC 548B	30 VOLT, 100 mA, 500 mWATT, HFe >200	N	TO 92	
170.2994	BC 548C	30 VOLT, 100 mA, 500 mWATT, HFe >420	N	TO 92	
171.0054	BC 549	30 VOLT, 200 mA, 500 mWATT, HFe >240-900	N	TO 92	
170.3001	BC 549B	30 VOLT, 100 mA, 500 mWATT, HFe >200	N	TO 92	
170.3008	BC 549C	30 VOLT, 100 mA, 500 mWATT, HFe >450	N	TO 92	
170.3015	BC 550B	50 VOLT, 100 mA, 500 mWATT, HFe >200	N	TO 92	
170.3022	BC 550C	50 VOLT, 100 mA, 500 mWATT, HFe >420	N	TO 92	
171.0055	BC 556A	COMPLEMENTAIR MET BC 546A	P	TO 92	
170.3029	BC 556B	COMPLEMENTAIR MET BC 546B	P	TO 92	
170.3036	BC 557B	COMPLEMENTAIR MET BC 547B	P	TO 92	
170.3037	BC 557C	COMPLEMENTAIR MET BC 547C	P	TO 92	
171.0058	BC 558A	COMPLEMENTAIR MET BC 548A	P	X 10	
170.3043	BC 558B	COMPLEMENTAIR MET BC 548B	P	X 10	
170.3050	BC 558C	COMPLEMENTAIR MET BC 548C	P	X 10	
170.3057	BC 559B	COMPLEMENTAIR MET BC 549B	P	X 10	
170.3064	BC 559C	COMPLEMENTAIR MET BC 549C	P	X 10	
171.0056	BC 560	COMPLEMENTAIR MET BC 550	P	X 10	
171.0057	BC 560A	COMPLEMENTAIR MET BC 550A	P	X 10	
170.3071	BC 560B	COMPLEMENTAIR MET BC 550B	P	X 10	
170.3078	BC 560C	COMPLEMENTAIR MET BC 550C	P	X 10	
170.3085	BC 617	45 VOLT, 1 A, 625 mWATT, HFe 70000	N	TO 92	
170.3092	BC 618	55 VOLT, 1 A, 625 mWATT, HFe 30000	N	TO 92	
170.3099	BC 635	45 VOLT, 1,5 A, 1 WATT, HFe >40	N	TO 92	
170.3106	BC 636	COMPLEMENTAIR MET BC 635	P	TO 92	
170.3113	BC 637	60 VOLT, 1 A, 800 mWATT, HFe >40	N	TO 92	
170.3120	BC 638	COMPLEMENTAIR MET BC 637	P	TO 92	
170.3127	BC 639	80 VOLT, 1 A, 1 WATT, HFe >40	N	TO 92	
170.3134	BC 640	COMPLEMENTAIR MET BC 639	P	TO 92	
171.0059	BC 650A	30 VOLT, 200 mA, 625 mWATT, HFe 380-1400	N	TO 92	
170.3141	BC 875	60 VOLT, 1 A, 800 mWATT, HFe 1000	N	TO 92	
170.3148	BC 876	60 VOLT, 1 A, 800 mWATT, HFe 1000	P	TO 92	
170.3155	BC 877	80 VOLT, 1 A, 800 mWATT, HFe 1000	N	TO 92	
170.3162	BC 878	80 VOLT, 1 A, 800 mWATT, HFe 1000	P	TO 92	
170.3169	BC 879	100 VOLT, 1 A, 800 mWATT, HFe 1000	N	TO 92	
170.3176	BC 880	100 VOLT, 1A, 800 mWATT, HFe >1000	P	TO 92	
171.0045	BCY 43	service transistor			
170.3197	BCY 56	45 VOLT, 200 mA, 300 mWATT, HFe >100	N	TO 18	
170.3204	BCY 57	25 VOLT, 200 mA, 300 mWATT, HFe >200	N	TO 18	
170.3211	BCY 58	32 VOLT, 200 mA, 360 mWATT, HFe >120	N	TO 18	



Transistoren

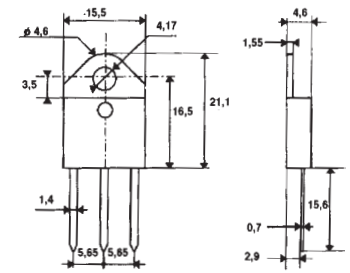
Silicium transistoren (vervolg)

art.nr.	typenr.	omschrijving	S	huis	brutoprijs in fl.
170.3218	BCY 59	45 VOLT, 200 mA, 360 mWATT, HFe >120	N	TO 18	
171.0061	BCY 59B	45 VOLT, 200 mA, 1 WATT, HFe >175-350	N	TO 18	
171.0062	BCY 70	40 VOLT, 200 mA, 360 mWATT, HFe >100	P	TO 18	
170.3225	BCY 78	COMPLEMENTAIR MET BCY 58	P	TO 18	
170.3232	BCY 79-7	45 VOLT, 200 mA, 1 WATT, HFe >120	P	TO 18	
170.3239	BCY 87	40 VOLT, 30 mA, 150 mWATT, HFe 100/450	N	TO 18	
170.3246	BCY 88	40 VOLT, 30 mA, 150 mWATT	N	TO 18	
170.3253	BCY 89	40 VOLT, 30 mA, 150 mWATT	N	TO 18	
171.0060	BCW 56A	service transistor			
170.3267	BD 106	36 VOLT, 2500 mA, 12 WATT, HFe 50/300	N	XO 3	
170.3274	BD 115	245 VOLT, 150 mA, 6 WATT, HFe >22	N	TO 39	
170.3281	BD 127	300 VOLT, 500 mA, 20 WATT, HFe >30	N	TO 126	
170.3286	BD 128	350 VOLT, 500 mA, 20 WATT, HFe >30	N	TO 126	
170.3293	BD 129	400 VOLT, 500 mA, 20 WATT, HFe >30	N	TO 126	
170.3300	BD 130	100 VOLT, 15 A, 100 WATT, HFe 20/70	N	TO 3	
170.3307	BD 131	45 VOLT, 3 A, 15 WATT, HFe >40	N	TO 126	
170.3314	BD 132	COMPLEMENTAIR MET BD 131	P	TO 126	
170.3321	BD 133	60 VOLT, 3 A, 15 WATT, HFe >40	N	TO 126	
170.3328	BD 135	45 VOLT, 1 A, 8 WATT, HFe 40/250	N	TO 126	
170.3335	BD 136	COMPLEMENTAIR MET BD 136	P	TO 126	
170.3342	BD 137	60 VOLT, 1 A, 8 WATT, HFe >160	N	TO 126	
170.3349	BD 138	COMPLEMENTAIR MET BD 137	P	TO 126	
170.3356	BD 139	80 VOLT, 1 A, 8 WATT, HFe 401/160	N	TO 126	
170.3363	BD 140	COMPLEMENTAIR MET BD 139	P	TO 126	
170.3370	BD 142	50 VOLT, 15 A, 117 WATT, HFe 13/160	N	TO 3	
170.3377	BD 157	275 VOLT, 500 mA, 20 WATT, HFe 301250	N	TO 126	
170.3384	BD 158	325 VOLT, 500mA, 20 WATT, HFe 301250	N	TO 126	
170.3391	BD 159	375 VOLT, 500mA, 20 WATT, HFe 30/250	N	TO 126	
170.3398	BD 165	45 VOLT, 1500mA, 20 WATT, HFe >40	N	TO 126	
170.3405	BD 166	45 VOLT, 1500mA, 20 WATT, HFe >40	P	TO 126	
170.3412	BD 167	60 VOLT, 1500mA, 20 WATT, HFe >40	N	TO 126	
170.3419	BD 168	60 VOLT, 1500mA, 20 WATT, HFe >40	P	TO 126	
170.3426	BD 169	80 VOLT, 1,5 A, 20 WATT, HFe >40	N	TO 126	
170.3433	BD 170	COMPLEMENTAIR MET BD 169	P	TO 126	
170.3440	BD 175	45 VOLT, 3 A, 30 WATT, HFe >40	N	TO 126	
170.3447	BD 176	45 VOLT, 3 A, 30 WATT, HFe >40	P	TO 126	
170.3454	BD 177	60 VOLT, 3 A, 30 WATT, HFe >40	N	TO 126	
170.3461	BD 178	60 VOLT, 3 A, 30 WATT, HFe >40	P	TO 126	
170.3468	BD 179	80 VOLT, 3 A, 30 WATT, HFe >40	N	TO 126	
170.3475	BD 180	80 VOLT, 3 A, 30 WATT, HFe >40	P	TO 126	
170.3482	BD 181	55 VOLT, 15 A, 117 WATT, HFe 20/70	N	TO 3	
170.3489	BD 182	70 VOLT, 15 A, 117 WATT, HFe 20/70	N	TO 3	
170.3496	BD 183	85 VOLT, 15 A, 117 WATT, HFe 20r0	N	TO 3	
170.3502	BD 184	95 VOLT, 15 A, 117 WATT, HFe 20/70	N	TO 3	
170.3509	BD 185	40 VOLT, 4 A, 40 WATT, HFe >40	N	TO 126	
170.3516	BD 186	40 VOLT, 4 A, 40 WATT, HFe >40	P	TO 126	
170.3523	BD 187	55 VOLT, 4 A, 40 WATT, HFe >40	N	TO 126	
170.3530	BD 188	55 VOLT, 4 A, 40 WATT, HFe >40	P	TO 126	
170.3537	BD 189	60 VOLT, 4 A, 40 WATT, HFe >40	N	TO 126	
170.3544	BD 190	60 VOLT, 4 A, 40 WATT, HFe >40	P	TO 126	
170.3551	BD 201	45 VOLT, 8 A, 60 WATT, HFe >30	N	TOP 66	
170.3558	BD 202	COMPLEMENTAIR MET BD 201	P	TOP 66	
170.3565	BD 203	60 VOLT, 8 A, 60 WATT, HFe >30	N	TOP 66	
170.3572	BD 204	COMPLEMENTAIR MET BD 203	P	TOP 66	
170.3579	BD 207	70 VOLT, 10 A, 90 WATT, HFe >30	N	TOP 66	
170.3586	BD 208	70 VOLT, 10 A, 90 WATT, HFe >30	P	TOP 66	
171.0063t	BD 223	70 VOLT, 500 mA, 36 WATT, HFe 30-120	P	TOP 66	
170.3593	BD 226	45 VOLT, 1,5 A, 12,5 WATT, HFe 40/250	N	TO 126	
170 3600	BD 227	COMPLEMENTAIR MET BD 226	P	TO 126	
170 3607	BD 228	60 VOLT, 1,5 A, 12,5 WATT, HFe 40>160	N	TO 126	
170.3614	BD 229	60 VOLT, 3 A, 12,5 WATT, HFe 40>160	P	TO 126	
170.3621	BD 230	80 VOLT, 1,5 A, 12,5 WATT, HFe 40>160	N	TO 126	
170.3628	BD 231	COMPLEMENTAIR MET BD 230	P	TO 126	
170.3635	BD 232	300 VOLT, 250 mA, 15 WATT, HFe 251/150	N	TO 126	
170.3642	BD 233	45 VOLT, 2 A, 25 WATT, HFe >25	N	TO 126	
170.3649	BD 234	COMPLEMENTAIR MET BD 233	P	TO 126	
170.3656	BD 235	60 VOLT, 2 A, 25 WATT, HFe >25	N	TO 126	
170.3663	BD 236	COMPLEMENTAIR MET BD 235	P	TO 126	
170.3670	BD 237	80 VOLT, 2 A, 25 WATT, HFe >25	N	TO 126	
170.3677	BD 238	COMPLEMENTAIR MET BD 237	P	TO 126	
170.3684	BD 239B	80 VOLT, 3 A, 30 WATT, HFe >15	N	TOP 66	
170.3691	BD 239C	100 VOLT, 3 A, 30 WATT, HFe >15	N	TOP 66	
170.3698	BD 240B	COMPLEMENTAIR MET BD 239B	P	TOP 66	

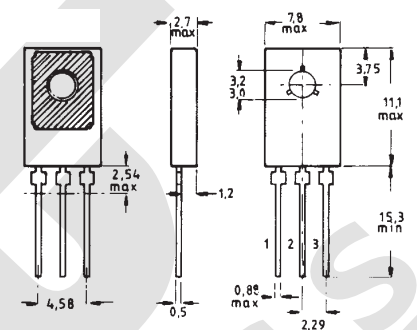


Silicium transistoren (vervolg)

art.nr.	typenr.	omschrijving	S	huis	brutoprijs in fl.
170.3705	BD 240C	COMPLEMENTAIR MEr BD 239C	P	TOP 66	
171.0064	BD 241A	60 VOLT, 5 A, 40 WATT, HFe >25	N	TOP 66	
170.3712	BD 241B	80 VOLT, 5 A, 40 WATT, HFe >25	N	TOP 66	
170.3719	BD 241C	100 VOLT, 5 A, 40 WATT, HFe >25	N	TOP 66	
171.0065	BD 242	COMPLEMENTAIR MET BD 241	P	TOP 66	
171.0066	BD 242A	COMPLEMENTAIR MET BD 241A	P	TOP 66	
170.3726	BD 242B	COMPLEMENTAIR MET BD 241B	P	TOP 66	
170.3733	BD 242C	COMPLEMENTAIR MET BD 241C	P	TOP 66	
170.3740	BD 243B	80VOLT, 8 A, 65 WATT, HFe >30	N	TOP 66	
170.3747	BD 243C	100 VOLT, 8 A, 65 WATT, HFe >30	N	TOP 66	
171.0067	BD 244	COMPLEMENTAIR MET BD 243	P	TOP 66	
170.3754	BD 244B	COMPLEMENTAIR MET BD 243B	P	TOP 66	
170.3761	BD 244C	COMPLEMENTAIR MET BD 243G	P	TOP 66	
170.3768	BD 245B	90 VOLT, 15 A, 80 WATT, HFe >40	N	TOP 3	
170.3775	BD 245C	100 VOLT, 10 A, 80 WATT, HFe >40	N	TOP 3	
170.3782	BD 246B	90 VOLT, 15 A, 80 WATT, HFe >40	P	TOP 3	
170.3789	BD 246C	COMPLEMENTAIR MET BD 245C	P	TOP 3	
170.3796	BD 249C	100 VOLT, 25 A, 125 WATT, HFe >25	N	TOP 3	
171.0068	BD 250B	COMPLEMENTAIR MET BD 249B	P	TOP 3	
170.3803	BD 250C	COMPLEMENTAIR MET BD 249C	P	TOP 3	
170.3824	BD 301	45 VOLT, 12 A, 55 WATT, HFe >30	N	TOP 66	
170.3831	BD 302	45 VOLT, 12 A, 55 WATT, HFe >30	P	TOP 66	
170.3838	BD 303	60 VOLT, 12 A, 55 WATT, HFe >30	N	TOP 66	
170.3845	BD 304	60 VOLT, 12 A, 55 WATT, HFe >30	P	TOP 66	
170.3852	BD 312	60 VOLT, 10 A, 150 WATT, HFe >30	P	TO 3	
170.3859	BD 313	80 VOLT, 10 A, 150 WATT, HFe >25	N	TO 3	
170.3866	BD 314	80 VOLT, 10A, 150 WATT, HFe >25	P	TO 3	
170.3867	BD 315	80 VOLT, 20A, 200 WATT, HFe >25	N	TO 3	
170.3868	BD 316	80 VOLT, 20A, 200 WATT, HFe >25	P	TO 3	
170.3873	BD 317	100 VOLT, 16A, 200 WATT, HFe >26	N	TO 3	
170.3880	BD 318	100 VOLT, 16A, 200 WATT, HFE >25	P	TO 3	
170.3887	BD 329	30 VOLT, 3 A, 15 WATT, HFe 85/375	N	TO 126	
170.3894	BD 330	30 VOLT, 3 A, 15 WATT, HFe 85/375	P	TO 126	
171.0071	BD 349	80 VOLT, 1 A, 20 WATT, HFe >60	N	TO 126	
170.3901	BD 375	50 VOLT, 2 A, 25 WATT, HFe >30	N	TO 126	
170.3908	BD 376	50 VOLT, 2 A, 25 WATT, HFe >30	P	TO 126	
170.3915	BD 377	60 VOLT, 3 A, 25 WATT, HFe 40/375	N	TO 126	
170.3922	BD 378	75 VOLT, 2 A, 25 WATT, HFe >30	P	TO 126	
170.3929	BD 379	160 VOLT, 2 A, 25 WATT, HFe >30	N	TO 126	
170.3936	BD 380	160 VOLT, 2 A, 25 WATT, HFe >30	P	TO 126	
170.3943	BD 410	500 VOLT, 1 A, 20 WATT, HFe 30/240	N	TO 126	
171.0072	BD 413	40 VOLT, 2 A, 10 WATT, HFe 20k-150k	P	TP 126	
170.3950	BD 433	22 VOLT, 4 A, 36 WATT, HFe >50	N	TO 126	
170.3957	BD 434	22 VOLT, 4 A, 36 WATT, HFe >50	P	TO 126	
170.3964	BD 435	32 VOLT, 4 A, 36 WATT, HFe >50	N	TO 126	
170.3971	BD 436	COMPLEMENTAIR MFT BD 435	P	TO 126	
170.3978	BD 437	45 VOLT, 4 A, 36 WATT, HFe >40	N	TO 126	
170.3985	BD 438	45 VOLT, 4 A, 36 WATT, HFe >40	P	TO 126	
170.3992	BD 439	60 VOLT, 4 A, 36 WATT, HFe >25	N	TO 126	
170.3999	BD 440	COMPLEMENTAIR MET BD 439	P	TO 126	
170.4006	BD 441	80 VOLT, 4 A, 36 WATT, HFe >15	N	TO 126	
170.4013	BD 442	COMPLEMENTAIR MET BD 441	P	TO 126	
171.0073	BD 507	30 VOLT, 2 A, 10 WATT, HFe >40	N	X 17	
171.0074	BD 508	30 VOLT, 2 A, 10 WATT, HFe >40	P	X 17	
170.4036	BD 512B	V-MOS, P-CH, 60 VOLT, 1,5 A	P	TO 202	
170.4043	BD 517	60 VOLT, 2 A, 10 WATT, HFe >60	N	X 17	
170.4050	BD 518	60 VOLT, 2 A, 10 WATT, HFe >60	P	X 17	
170.4057	BD 519	80 VOLT, 2 A, 10 WATT, HFe >60	N	X 17	
170.4064	BD 522B	V-MOS, N-CH, 60 VOLT, 1,5 A	N	TO 202	
170.4071	BD 529	100 VOLT, 2 A, 10 WATT, HFe >60	N	X 17	
170.4078	BD 530	100 VOLT, 2 A, 10 WATT, HFe >60	P	X 17	
170.4085	BD 533I	45 VOLT, A A, 50 WATTI HFe >40	N	TOP 66	
170.4092	BD 534	45 VOLT, 8 A, 50 WATT, HFe >40	P	TOP 66	
170.4099	BD 535	60 VOLT, 8 A, 50 WATT, HFe >40	N	TOP 66	
170.4106	BD 536	60 VOLT, 8 A, 50 WATT, HFe >40	P	TOP 66	
170.4110	BD 537	80 VOLT, 8 A, 50 WATT, HFe >40	N	TOP 66	
170.4113	BD 538	80 VOLT, 4 A, 40 WATT, HFe >40	P	TOP 66	
170.4118	BD 544	100 VOLT, 8 A, 70 WATT, 3 MHz, >40	P	TOP 66	
170.4120	BD 585	45 VOLT, 4 A, 42 WATT, HFe >25	N	TOP 66	
170.4127	BD 586	45 VOLT, 4 A, 42 WATT, HFe >25	P	TOP 66	
170.4134	BD 587	60 VOLT, 4 A, 42 WATT, HFe >25	N	TOP 66	
170.4141	BD 588	60 VOLT, 4 A, 42 WATT, HFe >25	P	TOP 66	
170.4148	BD 589	80 VOLT, 4 A, 42 WATT, HFe >25	N	TOP 66	



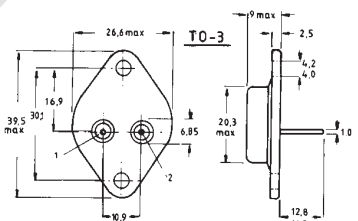
TOP-3



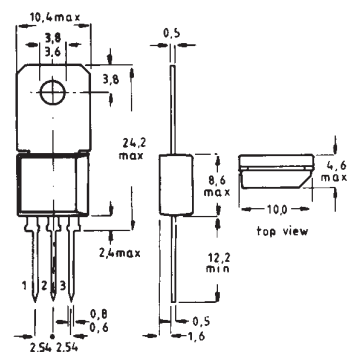
TO-126



TO-3



TO-3

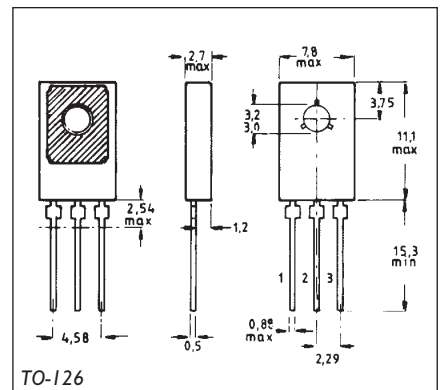


TO-202

Transistoren

Silicium transistoren (vervolg)

art.nr.	typenr.	omschrijving	S	huis	brutoprijs in fl.
170.4155	BD 590	80 VOLT, 4 A, 42 WATT, HFe >25	P	TOP 66	
170.4162	BD 595	45 VOLT, 8 A, 55 WATT, HFe >25	N	TOP 66	
170.4169	BD 596	45 VOLT, 8 A, 55 WATT, HFe >25	P	TOP 66	
170.4176	BD 597	60 VOLT, 8 A, 55 WATT, HFe >25	N	TOP 66	
170.4183	BD 598	60 VOLT, 8 A, 55 wArl, HFe >25	P	TOP 66	
170.4190	BD 599	80 VOLT, 8 A, 55 WATT, HFe >15	N	TOP 66	
170.4197	BD 600	80 VOLT, 8 A, 55 WATT, HFe >15	P	TOP 66	
171.0076	BD 610	80 VOLT, 10 A, 90 WATT, HFe >15	P	TOP 66	
170.4204	BD 643	45 VOLT, 8 A, 62 WATT, HFe >750	N	TOQ 66	
170.4211	BD 644	45 VOLT, 10 A, 70 WATT, HFe >750	P	TOQ 66	
170.4218	BD 645	60 VOLT, 8 A, 62 WATT, HFe >750	N	TOQ 66	
170.4225	BD 646	COMPLEMENTAIR MET BD 645	P	TOO 66	
170.4232	BD 647	80 VOLT, 8 A, 62 WATr, HFe >750	N	TOQ 66	
170.4239	BD 648	COMPLEMENTAIR MET BD 647	P	TOQ 66	
170.4246	BD 649	100 VOLT, 8 A, 62 WATT, HFe >760	N	TOP 66	
170.4253	BD 650	COMPLEMENTAIR MET BD 649	P	TOP 66	
170.4260	BD 651	120 VOLT, 12 A, 62 WATT, HFe >750	N	TOP 66	
170.4267	BD 652	120VOLT, 12 A, 62WATT, HFe >750	P	TOP 66	
170.4274	BD 675	45 VOLT, 4 A, 40 WATT, HFe >750	N	TO 126	
170.4281	BD 676	COMPLEMENTAIR MET BD 675	P	TO 126	
170.4288	BD 677	60 VOLT, 4 A, 40 WArr, HFe >750	N	TO 126	
170.4295	BD 678	60 VOLT, 4 A, 40 WATT, HFe >750	P	TO 126	
170.4302	BD 679	80 VOLT, 4 A, 40 WATT, HFe >750	N	TO 126	
170.4309	BD 680	COMPLEMENTAIR MET BD 679	P	TO 126	
170.4316	BD 681	100 VOLT, 4 A, 40 WATT, HFe >750	N	TO 126	
170.4323	BD 682	100 VOLT, 4 A, 40 WATT, HFe >750	P	TO 126	
170.4330	BD 695	45 VOLT, 5 A, 70 WATT, HFe >750	N	TOP 66	
170.4337	BD 696	45 VOLT, 5 A, 70 WATT, HFe >750	P	TOP 66	
170.4344	BD 697	60 VOLT, 5 A, 70 WATT, HFe >750	N	TOP 66	
170.4351	BD 698	60 VOLT, 5 A, 70 WATT, HFe >750	P	TOP 66	
170.4358	BD 699	80 VOLT, 5 A, 70 WATT, HFe >750	N	TOP 66	
170.4365	BD 700	80 VOLT, 5 A, 70 WATT, HFe >750	P	TOP 66	
170.4372	BD 701	100 VOLT, 5 A, 70 WATT, HFe >750	N	TOP 66	
170.4379	BD 702	100 VOLT, 5 A, 70 WATT, HFe >750	P	TOP 66	
170.4386	BD 7051	45 VOLT, 12 A, 75 WATT, HFe 20>80	N	TOQ 66	
170.4393	BD 706	45 VOLT, 12 A, 75 WATT, HFe 20>80	P	TOQ 66	
170.4400	BD 707	60 VOLT, 12 A, 75 WATT, HFe 20>80	N	TOQ 66	
170.4407	BD 708	60 VOLT, 12 A, 75 WATT, HFe 20>80	P	TOQ 66	
170.4414	BD 709	80 VOLT, 12 A, 75 WATT, HFe 20>80	N	TOQ 66	
170.4421	BD 710	80 VOLT, 12 A, 75 WATT, HFe 20>80	P	TOP 66	
170.4428	BD 711	100 VOLT, 12 A, 75 WATT, HFe 15/150	N	TOP 66	
170.4435	BD 712	100 VOLT, 12 A, 75 WATT, HFe 15/150	P	TOP 66	
171.0077	BD 775	45 VOLT, 6 A, 15 WATT, HFe >750	N	TO 126	
171.0078	BD 787	60 VOLT, 8 A, 15 WATT, HFe 40-450	N	TO 126	
171.0079	BD 788	60 VOLT, 8 A, 15 WATT, HFe 40-250	P	TO 126	
170.4442	BD 809	80 VOLT, 10 A, 90 WATT, HFe >30	N	TOP 66	
170.4449	BD 810	80 VOLT, 10 A, 90 WATT, HFe >30	P	TOP 66	
170.4456	BD 827	60 VOLT, 2 A, 8 WATT, HFe 40>100	N	SOT-128	
170.4457	BD 828	60 VOLT, 2 A, 8 WATT, HFe 40>100	P	SOT-128	
170.4463	BD 830	80 VOLT, 2 A, 8 WATT, HFe 40>160	P	SOT-128	
171.0080	BD 898	60 VOLT, 8 A, 70 WATT, HFe >750	P	TOP 66	
170.4470	BD 899	80 VOLT, 8 A, 70 WATT, HFe >750	N	TOP 66	
170.4477	BD 900	80 VOLT, 8 A, 70 WATT, HFe >750	P	TOP 66	
170.4484	BD 901	100 VOLT, 8 A, 70 WATT, HFe >750	N	TOP 66	
170.4491	BD 902	100 VOLT, 8 A, 70 WATT, HFe >750	P	TOP 66	
170.4498	BD 905	45 VOLT, 15 A, 90 WATT, HFe 15/150	N	TOP 66	
170.4505	BD 906	45 VOLT, 15 A, 90 WATT, HFe 15/150	P	TOP 66	
170.4512	BD 907	60 VOLT, 15 A, 90 WATT, HFe 15/150	N	TOP 66	
170.4519	BD 908	45 VOLT, 15 A, 90 WATT, HFe 15/150	P	TOP 66	
170.4526	BD 909	80 VOLT, 15 A, 90 WATT, HFe 15/150	N	TOP 66	
170.4533	BD 910	80 VOLT, 15 A, s0 WATT, HFe 15/150	P	TOP 66	
170.4540	BD 911	100 VOLT, 15 A, 90 WATT, HFe 15/150	N	TOP 66	
170.4547	BD 912	100 VOLT, 15 A, 90 WATT, HFe 15/150	P	TOP 66	
171.0081	BD 934	45 VOLT, 7 A, 30 WATT, HFe 40-250	P	TOP 66	
171.0082	BD 935	60 VOLT, 7 A, 30 WATT, HFe 40-250	N	TOP 66	
171.0083	BD 936	60 VOLT, 7 A, 30 WATT, HFe 40-250	P	TOP 66	
171.0084	BD 938	80 VOLT, 7 A, 30 WATT, HFe 40-250	P	TOP 66	
171.0085	BD 943	22 VOLT, 8 A, 40 WATT, HFe 85-475	N	TOP 66	
171.0086	BD 944	22 VOLT, 8 A, 40 WATT, HFe 85-475	P	TOP 66	
171.0087	BD 945	32 VOLT, 8 A, 40 WATT, HFe 85-475	N	TOP 66	
171.0092	BD 946	32 VOLT, 8 A, 40 WATT, HFe 85-475	P	TOP 66	

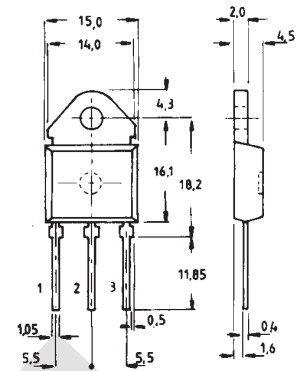


TO-126



Silicium transistoren (vervolg)

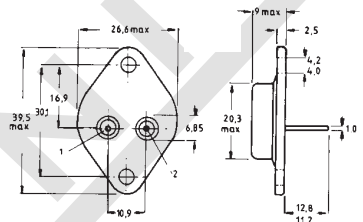
art.nr.	typenr.	omschrijving	S	huis	brutoprijs in fl.
171.0093	BD 948	45 VOLT, 8 A, 40 WATT, HFe 85-475	P	TOP 66	
171.0094	BD 949	60 VOLT, 8 A, 40 WATT, HFe >40	N	TOP 66	
171.0095	BD 950	60 VOLT, 8 A, 40 WATT, HFe >40	P	TOP 66	
171.0096	BD 951	80 VOLT, 8 A, 40 WATT, HFe >40	N	TOP 66	
171.0088	BD 952	80 VOLT, 8 A, 40 WATT, HFe >40	P	TOP 66	
171.0089	BD 953	100 VOLT, 8 A, 40 WATT, HFe >40	N	TOP 66	
171.0090	BD 954	100 VOLT, 8 A, 40 WATT, HFe >40	P	TOP 66	
171.0097	BDT 62C	120 VOLT, 15 A, 90 WATT, HFe >1k	P	TO 220	
171.0091	BDT 63C	120 VOLT, 15 A, 90 WATT, HFe >1k	N	TO 220	
170.4548	BDT 64C	100 VOLT, 12 A, 125 WATT, HFe >50	N	TO 220	
170.4549	BDT 65C	100 VOLT, 15 A, 125 WATT, HFe >50	N	TO 220	
179.454A	BDT 88	120 VOLT, 15 A, 125 WATT, 20 MHz, >50	N	TO 220	
170.4550	BDV 64B	100 VOLT, 12 A, 126 WATT, HFe >1000	P	SOT 93	
170.4551	BDV 65	100 VOLT, 12 A, 125 WATT, HFe >1000	N	SOT 93	
170.4552	BDV 66C	150 VOLT, 16 A, 200 WATT, HFe >1000	N	SOT 93	
171.0100	BDV 67B	120 VOLT, 16 A, 200 WATT, HFe >1000	P	SOT 93	
170.445B	BDV 67C	150 VOLT, 16 A, 200 WATT, HFe >1000	P	SOT 93	
171.0101	BDW 41	80 VOLT, 15 A, 85 WATT, HFe >1000	N	TOP 66	
171.0102	BDW 44	45 VOLT, 15 A, 85 WATT, HFe >1000	P	TOP 66	
171.0103	BDW 83B	80 VOLT, 15 A, 150 WATT, HFe >750	N	TO 218	
171.0104	BDW 84C	100 VOLT, 15 A, 150 WATT, HFe >750	P	TO 218	
170.4460	BDW 93C	100 VOLT, 12 A, 80 WATT, HFe >750	N	TO 218	
171.4461	BDW 94C	100 VOLT, 12 A, 80 WATT, HFe >750	P	TO 218	
171.0105	BDW 84D	120 VOLT, 15 A, 150 WATT, HFe >750	P	TO 218	
170.4554	BDX 14	90 VOLT, 15 A, 29 WATT, HFe 25>100	P	TO 3	
170.4561	BDX 18	100 VOLT, 15 A, 117 WATT, HFe 20/70	P	TO 3	
170.4565	BDX 20	140 VOLT, 10 A, 117 WATT, HFe 20/70	P	TO 3	
171.0098	BDX 33B	80 VOLT, 10 A, 70 WATT, HFe >750	N	TOP 66	
170.4568	BDX 33C	100 VOLT, 10 A, 70 WATT, HFe >750	N	TOP 66	
170.4575	BDX 34C	100 VOLT, 10 A, 70 WATT, HFe >750	P	TOP 66	
170.4580	BDX 47	80 VOLT, 1 A, 1,25 WATT, HFe >2000	P	TO 126	
171.0106	BDX 53B	80 VOLT, 8 A, 60 WATT, HFe >750	N	TOP 66	
170.4582	BDX 53C	100 VOLT, 8 A, 60 WATT, HFe >750	N	TOP 66	
171.0107	BDX 54B	80 VOLT, 8 A, 60 WATT, HFe >750	P	TOP 66	
170.4589	BDX 54C	100 VOLT, 8 A, 60 WATT, HFe >750	P	TOP 66	
171.0108	BDX 62B	100 VOLT, 12 A, 90 WATT, HFe >1000	P	TO 3	
170.4596	BDX 62C	120 VOLT, 12 A, 90 WATT, HFe >1000	P	TO 3	
171.0109	BDX 63B	100 VOLT, 12 A, 90 WATT, HFe >1000	N	TO 3	
170.4603	BDX 63C	140 VOLT, 12 A, 90 WATT, HFe >1000	N	TO 3	
171.0110	BDX 64B	100 VOLT, 12 A, 117 WATT, HFe >1000	P	TO 3	
170.4610	BDX 64C	120 VOLT, 12 A, 117 WATT, HFe >1000	P	TO 3	
170.4617	BDX 65A	80 VOLT, 12 A, 117 WATT, HFe >1000	N	TO 3	
171.0111	BDX 65B	120 VOLT, 12 A, 117 WATT, HFe >1000	N	TO 3	
170.4624	BDX 65C	140 VOLT, 12 A, 117 WATT, HFe >1000	N	TO 3	
171.0112	BDX 66B	100 VOLT, 16 A, 150 WATT, HFe >1000	P	TO 3	
170.4631	BDX 66C	120 VOLT, 16 A, 150 WATT, HFe >1000	P	TO 3	
170.4638	BDX 67B	100 VOLT, 16 A, 150 WATT, HFe >1000	N	TO 3	
170.4645	BDX 67C	120 VOLT, 16 A, 150 WATT, HFe >1000	N	TO 3	
170.4648	BDX 77	80 VOLT, 8 A, 60 WATT, HFe >30	N	TOP 66	
170.4649	BDX 78	80 VOLT, 8 A, 60 WATT, HFe >30	P	TO 220	
170.4652	BDX 87C	100 VOLT, 12 A, 117 WATT, HFe >750	N	TO 3	
171.0723	BDY 11	service transistor			
170.4666	BDY 42	250 VOLT, 5 A, 60 WATT, HFe 20	N	TO 3	
170.4673	BDY 43	300 VOLT, 5 A, 60 WATT, HFe 20	N	TO 3	
170.4680	BDY 44	350 VOLT, 5 A, 60 WATT, HFe 20	N	TO 3	
170.4687	BDY 56	150 VOLT, 15 A, 115 WATT, HFe 20/170	N	TO 3	
170.4694	BDY 81	60 VOLT, 4 A, 36 WATT, HFe 40>240	N	TOP 66	
171.0113	BDY 90	100 VOLT, 15 A, 40 WATT, HFe >30-120	N	TO 3	
171.0114	BDY 93	350 VOLT, 7 A, 30 WATT, HFe >5	N	TO 3	
170.4701	BF 115	50 VOLT, 30 mA, 145 mWATT, HFe 45>165	N	TO 172	
171.0115	BF 117	service transistor			
171.0116	BF 123	service transistor			
171.0117	BF 125	service transistor			
171.0118	BF 127	service transistor			
171.0119	BF 165	service transistor			
170.4708	BF 167	30 VOLT, 25 mA, 150 mWATT, HFe >30	N	TO 172	
170.4715	BF 173	40 VOLT, 25 mA, 260 mWATT, HFe 40>100	N	TO 172	
170.4722	BF 177	60 VOLT, 100 mA, 800 mWATT, HFe >20	N	TO 39	
170.4729	BF 178	185 VOLT, 50 mA, 600 mWATT, HFe >20	N	TO 39	
170.4736	BF 179	115 VOLT, 100 mA, 800 mWATT, HFe >20	N	TO 39	
170.4743	BF 180	20 VOLT, 20 mA, 150 mWATT, HFe >13	N	TO 72	
170.4750	BF 181	25 VOLT, 15 mA, 150 mWATT, HFe >13	N	TO 72	
170.4757	BF 182	25 VOLT, 15 mA, 150 mWATT, HFe >10	N	TO 72	
170.4764	BF 183	25 VOLT, 15 mA, 150 mWATT, HFe >10	N	TO 72	



TO-218



TO-3



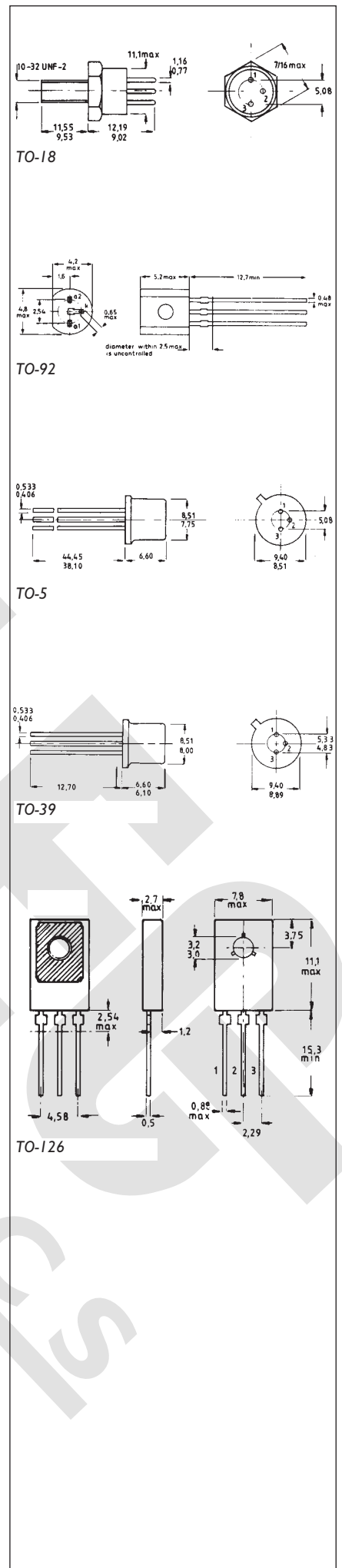
TO-3



Transistoren

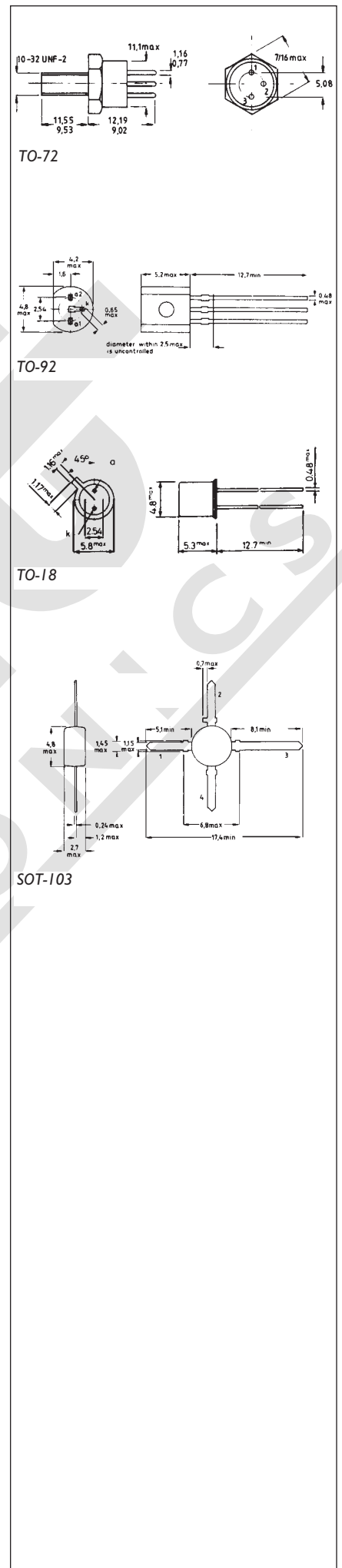
Silicium transistoren (vervolg)

art.nr.	typenr.	omschrijving	S	huis	brutoprijs in fl.
170.4771	BF 184	20 VOLT, 30 mA, 145 mWATT, HFe 75/150	N	TO 72	
170.4778	BF 185	20 VOLT, 30 mA, 145 mWATT, HFe 34>140	N	TO 72	
170.4785	BF 186	165 VOLT, 50 mA, 750 mWATT, HFe >20	N	TO 39	
170.4792	BF 194	30 VOLT, 30 mA, 250 mWATT, HFe 67/220	N	SOT 25	
170.4799	BF 195	20 VOLT, 30 mA, 250 mWATT, HFe 36/125	N	SOT 25	
170.4806	BF 196	40 VOLT, 25 mA, 250 mWATT, HFe >27	N	SOT 25	
170.4813	BF 197	40 VOLT, 25 mA, 250 mWATT, HFe >38	N	SOT 25	
170.4820	BF 198	30 VOLT, 25 mA, 500 mWATT, HFe >27	N	SOT54	
170.4827	BF 199	25 VOLT, 25 mA, 360 mWATT, HFe >38	N	SOT 54	
170.4834	BF 200	20 VOLT, 20 mA, 150 mWATT, HFe >15	N	TO 72	
170.4841	BF 223	32 VOLT, 30 mA, 350 mWATT, HFe >40	N	SOT 25	
170.4848	BF 224	30 VOLT, 50 mA, 360 mWATT, HFe >30	N	SOT 54	
170.4855	BF 225	50 VOLT, 50 mA, 360 mWATT, HFe >30	N	SOT 54	
170.4862	BF 237	45 VOLT, 30 mA, 360 mWATT, HFe >30	N	SOT 54	
170.4869	BF 238	45 VOLT, 30 mA, 360 mWATT, HFe >60	N	SOT 54	
170.4876	BF 240	40 VOLT, 25 mA, 250 mWATT, HFe 67/220	N	SOT 54	
170.4873	BF 241	40 VOLT, 25 mA, 250 mWATT, HFe 36/125	N	SOT 54	
170.4880	BF 244	30 VOLT, 10 mA, 300 mWATT, HFe >250	N	TO 18	
170.4887	BF 245A	N CH. FET, 30 VOLT, 10 mA, 300 mWATT	N	TO 92	
170.4894	BF 245B	N CH. FET, 30 VOLT, 10 mA, 300 mWATT	N	TO 92	
170.4901	BF 245C	N CH. FET, 30 VOLT, 10 mA, 300 mWATT	N	TO 92	
171.0120	BF 246A	N CH. FET, 25 VOLT, 10 mA, 360 mWATT	N	TO 92	
170.4908	BF 246B	N CH. FET, 25 VOLT, 10 mA, 360 mWATT	N	TO 92	
170.4915	BF 246C	N CH. FET, 25 VOLT, 10 mA, 360 mWATT	N	TO 92	
170.4922	BF 247	N CH. FET, 25 VOLT, 10 mA, 250 mWATT	N	TO 92	
171.0121	BF 247A	N CH. FET, 25 VOLT, 10 mA, 250 mWATT	N	TO 92	
171.0122	BF 247B	N CH. FET, 25 VOLT, 10 mA, 250 mWATT	N	TO 92	
171.0123	BF 247C	N CH. FET, 25 VOLT, 10 mA, 250 mWATT	N	TO 92	
170.4929	BF 254	20 VOLT, 30 mA, 250 mWATT, HFe 67/220	N	X 10	
170.4936	BF 255	20 VOLT, 30 mA, 250 mWATT, HFe 360/125	N	X 10	
170.4943	BF 256A	JFET N-CH, 30 VOLT, 30 mA, 300 mWATT	N	TO 5	
170.4944	BF 256B	JFET N-CH, 30 VOLT, 50 mA, 360 mWATT	N	TO 92	
170.4945	BF 256C	JFET N-CH, 30 VOLT, 50 mA, 360 mWATT	N	TO 92	
170.4950	BF 257	160 VOLT, 200 mA, 1 WATT, HFe >25	N	TO 39	
170.4957	BF 258	250 VOLT, 200 mA, 1 WATT, HFe >25	N	TO 39	
170.4964	BF 259	300 VOLT, 200 mA, 1 WATT, HFe >25	N	TO 39	
170.4971	BF 273	25 VOLT, 50 mA, 200 mWATT, HFe >35	N	TO 106	
170.4978	BF 297	160 VOLT, 100 mA, 630 mW, HFe 30/150	N	X 10	
170.4985	BF 298	250 VOLT, 100 mA, 630 mW, HFe 30/150	N	X 10	
170.4992	BF 299	300 VOLT, 100 mA, 600 mW, HFe 30/150	N	X 10	
170.4999	BF 310	30 VOLT, 25 mA, 300 mWATT, HFe 28	N	X 10	
170.5006	BF 311	35 VOLT, 40 mA, 350 mWATT, HFe 40	N	X 10	
170.5013	BF 314	30 VOLT, 25 mA, 300 mWATT, HFe 29	N	X 10	
170.5020	BF 324	30 VOLT, 25 mA, 250 mWATT, HFe 25>160	P	X 10	
171.0122	BF 327	20 VOLT, 10 mA, 300 mWATT, HFe >12	N	SOT 103	
170.5034	BF 336	185 VOLT, 100 mA, 3 WATT, HFe >20	N	TO 39	
170.5041	BF 337	250 VOLT, 100 mA, 3 WATT, HFe >20	N	TO 39	
170.5048	BF 338	300 VOLT, 100 mA, 3 WATT, HFe >20	N	TO 39	
171.0127	BF 342	32 VOLT, 50 mA, 250 mWATT, HFe 60>150	P	X 10	
171.0128	BF 343	32 VOLT, 50 mA, 250 mWATT, HFe >30	P	X 10	
170.5055	BF 350	15 VOLT, 10 mA, 360 mWATT, HFe >10	N	TO 72	
170.5062	BF 363	30 VOLT, 20 mA, 120 mWArr, HFe >20	N	X 32	
170.5069	BF 391	200 VOLT, 500 mA, 625 mWATT, HFe >40	N	TO 92	
170.5076	BF 392I	250 VOLT, 500 mA, 625 mWATT, HFe >40	N	TO 92	
170.5083	BF 393	300 VOLT, 500 mA, 625 mWATT, HFe >40	N	TO 92	
170.5090	BF 397I	90 VOLT, 100 mA, 625 mWATT, HFe 40/250	P	X 10	
170.5097	BF 398	150 VOLT, 100 mA, 625 mW, HFe 30/200	P	X 10	
170.5104	BF 415	250 VOLT, 200 mA, 1,25 WATT, HFe >25	N	TO 126	
170.5111	BF 416	250 VOLT, 200 mA, 1,25 WATT, HFe >25	P	TO 126	
170.5118	BF 417	300 VOLT, 200 mA, 1,25 WATT, HFe >25	N	TO 126	
170.5125	BF 418	300 VOLT, 200 mA, 1,25 WATT, HFe >25	P	TO 126	
170.5130	BF 420	300 VOLT, 100 mA, 830 WATT, HFe >50	N	TO 92	
170.5131	BF 421	COMPLEMENTAIR MET BF 420	P	TO 92	
170.5132	BF 422	250 VOLT, 200 mA, 830 mWATT, HFe >50	N	TO 92	
170.5139	BF 423	COMPLEMENTAIR MET BF 422	P	TO 92	
170.5146	BF 441	40 VOLT, 25 mA, 300 mWATT, HFe 30/125	P	X 10	
170.5153	BF 450	40 VOLT, 25 mA, 250 mWATT, HFe >60	P	X 10	
170.5160	BF 451	40 VOLT, 25 mA, 250 mWATT, HFe >30	P	X 10	
170.5167	BF 457	160 VOLT, 300 mA, 6 WATT, HFe >26	N	TO 126	
170.5174	BF 458	250 VOLT, 300 mA, 6 WATT, HFe >26	N	TO 126	
170.5181	BF 459	300 VOLT, 300 mA, 6 WATT, HFe >20	N	TO 126	
170.5188	BF 469	250 VOLT, 100 mA, 1,8 WATT, HFe >50	N	TO 126	
170.5195	BF 470	COMPLEMENTAIR MET BF 469	P	X 17	



Silicium transistoren (vervolg)

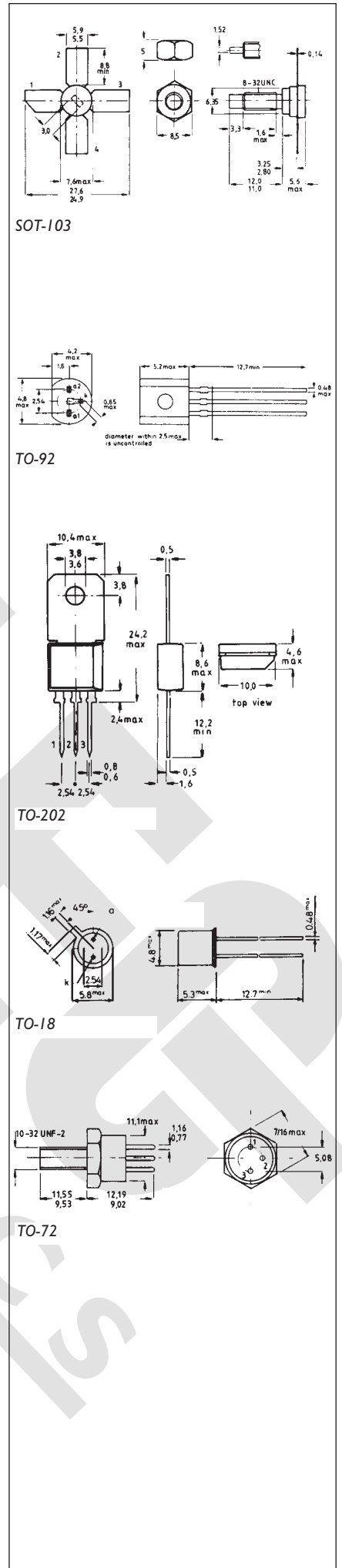
art.nr.	typenr.	omschrijving	S	huis	brutoprijs in fl.
170.5202	BF 471	300 VOLT, 100 mA, 1,8 WATT, HFe >50	N	TO 126	
170.5209	BF 472	COMPLEMENTAIR MET BF 471	P	TO 126	
170.5216	BF 479	30 VOLT, 50 mA, 170 mWATT, HFe >20	P	X 37	
170.5223	BF 480	20 VOLT, 20 mA, 200 mWATT, HFe >10	N	X 32	
170.5230	BF 494	20 VOLT, 30 mA, 300 mWATT, HFe >10	N	TO 92	
170.5237	BF 495	30 VOLT, 30 mA, 300 mWATT, HFe >10	N	TO 92	
170.5244	BF 496	20 VOLT, 20 mA, 500 MWATT, HFe >40	N	SOT 54	
170.5251	BF 506	40 VOLT, 30 mA, 250 mWATT, HFe >20	P	TO 92	
170.5258	BF 523	45 VOLT, 50 mA, 625 mWATT, HFe >600	N	X 10	
170.5265	BF 540	50 VOLT, 50 mA, 250 mWATT, HFe >60	P	X 10	
170.5272	BF 541	50 VOLT, 50 mA, 250 mWATT, HFe >45	P	X 10	
170.5270	BF 542	50 VOLT, 50 mA, 250 mWATT, HFe >30	P	X 10	
170.5277	BF 594	35 VOLT, 30 mA, 250 mWATT, HFe 65/220	N	X 10	
170.5284	BF 595	30 VOLT, 30 mA, 250 MWAAT, HFe 35/125	N	TO 92	
170.5291	BF 622	250 VOLT 100 mA, 1 WATT, HFe >50	N	X 90A	
170.5298	BF 623	COMPLEMENTAIR MET BF 622	P	X 90A	
170.5305	BF 657	160 VOLT, 200 mA, 7 WATT, HFe >25	N	TO 39	
170.5312	BF 658	250 VOLT, 200 mA, 7 WATT, HFe >25	N	TO 39	
170.5319	BF 659	300 VOLT, 100 mA, 7 WATT, HFe >25	N	TO 39	
170.5326	BF 679	40 VOLT, 30 mA, 170 mWATT, HFe >25	P	X 37	
170.5333	BF 680	40 VOLT, 30 mA, 170 mWATT, HFe >35	P	X 37	
170.5340	BF 757	250 VOLT, 500 mA, 2 WATT, HFe 40>180	N	X 17	
170.5347	BF 758	300 VOLT, 500 mA, 2 WATT, HFe 40>180	N	X 17	
170.5354	BF 759	350 VOLT, 500 mA, 2 WATT, HFe 40>180	N	X 17	
170.5361	BF 760	250 VOLT, 500 mA, 2 WATT, HFe 40>180	P	X 17	
170.5368	BF 761	300 VOLT, 500 mA, 2 WATT, HFe >20	P	X 17	
170.5375	BF 762	360 VOLT, 500 mA, 2 WATr, HFe 40>180	P	X 17	
170.5389	BF 857	160 VOLT, 300 mA, 1,8 WATT, HFe >25	N	SOT 128	
170.5396	BF 858	250 VOLT, 300 mA, 1,8 WATT, HFe >25	N	SOT 128	
170.5403	BF 859	300 VOLT, 300 mA, 1,8 WATT, HFe >25	N	SOT 128	
170.5410	BF 869	250 VOLT, 100 mA, 1,6 WATT, HFe >50	N	SOT 128	
170.5417	BF 870	250 VOLT, 30 mA, 1,6 WATT, HFe >50	P	SOT 128	
170.5424	BF 871	300 VOLT, 100 mA, 1,6 WATT, HFe >40	N	SOT 128	
170.5431	BF 872	V3 00 VOLT, 100 mA, 1,6 WATT, HFe >40	P	SOT 128	
170.5438	BF 900	MOS FET, 20 VOLT, 10 mA, 150 WATT	N	W 97	
170.5445	BF 905	MOS FET, 20 VOLT, 40 mA, 150 mWATT	N	W 97	
170.5452	BF 907	MOS FET, 30 VOLT, 50 mA, HFe >120	P	TO 92	
170.5459	BF 910	20 VOLT, 50 mA, 150 mWATT, HFe >14	N	W 97	
170.5466	BF 926	30 VOLT, 25 mA, 300 mWATT, HFe >30	P	SOT 54	
170.5473	BF 936	30 VOLT, 25 mA, 250 mWATT, HFe >25	P	TO 92	
170.5480	BF 939	30 VOLT, 25 mA, 250 mWATT, HFe >25	P	TO 92	
170.5487	BF 960	MOS FET, 20 VOLT, 30 mA, 225 mWATT	N	W 120	
170.5494	BF 961	MOS FET, 20 VOLT, 30 mA, 200 mWATT	N	W 120	
171.0130	BF 964	service transistor			
171.0131	BF 966	service transistor			
170.5501	BF 967	30 VOLT, 20 mA, 160 mWATT, HFe 16/60	P	X 37	
171.0132	BF 970	35 VOLT, 30 mA, 160 mWATT, HFe >25	P	W 22	
170.5508	BF 979	20 VOLT, 30 mA, 140 mWATT, HFe >20	P	W 22	
171.0132	BF 980	service transistor			
170.5515	BF 981	MOS FET, 20 VOLT, 20 mA, 225 mWATT	N	SOT 103	
170.5516	BF 982	DUAL GATE MOS FET 20 VOLT, 200 mW	F	SOT 143	
170.5519	BFG 65	10 VOLT, 50 mA, 300 mWATT Ft = 7,5 GHz	N	SOT 103	
170.5520	BFP 22	200 VOLT, 500 mA, 70 MHz, HFe >40	N	TO 92	
170.5521	BFP 23	200 VOLT, 500 mA, 70 MHz, HFe >40	P	TO 92	
170.5522	BFQ 34	18 VOLT, 150 mA, 2,25 WATT, HFe >25	N	X 54D	
170.5529	BFR 34	12 VOLT, 30 mA, 200 mWATT, HFe >25	N	X 17	
170.5536	BFR 54	15 VOLT, 100 mA, 200 mWATT, HFe >120	N	SOT 54	
170.5543	BFR 90	15 VOLT, 25 mA, 180 mWATT, HFe >25	N	X 32	
170.5550	BFR 91	12 VOLT, 35 mA, 180 mWATT, HFe >25	N	X 32	
170.5557	BFR 92	15 VOLT, 25 mA, 200 mWATT, HFe >25	N	X 12	
170.5564	BFR 93	12 VOLT, 35 mA, 200 mWATT, HFe >25	N	X 12	
170.5571	BFR 94	25 VOLT, 150 mA, 3,5 WATT, HFe >25	N	X 28	
170.5578	BFR 96	15 VOLT, 75 mA, 500 mWATT, HFe >50	N	X 32	
171.0134	BFT 10B	40 VOLT, 25 mA, 300 mWATT, HFe 6-20	N	TO 92	
170.5585	BFT 65	15 VOLT, 50 mA, 250 mWATT, HFe >30	N	X 13	
170.5592	BFT 66	15 VOLT, 30 mA, 200 mWATT, HFe >30	N	TO 72	
170.5606	BFW 10	N-CHANNEL J-FET, 30 V, 10 A, 300 mWATT	N	TO 72	
170.5613	BFW 11	N CHANNEL J-FET, 30 V, 10 A, 300 mWATT	N	TO 72	
170.5620	BFW 16	25 VOLT, 150 mA, 1,5 WATT, HFe >25	N	TO 39	
170.5627	BFW 17	40 VOLT, 150 mA, 1,5 WATT, HFe >25	N	TO 39	
170.5634	BFW 30	20 VOLT, 100 mA, 250 mWATT, HFe >25	N	TO 72	
171.0135	BFW 31	30 VOLT, 700 mA, 500 mWATT, HFe >70	P	TO 18	
171.0136	BFW 32	30 VOLT, 700 mA, 500 mWATT, HFe >70	P	TO 18	



Transistoren

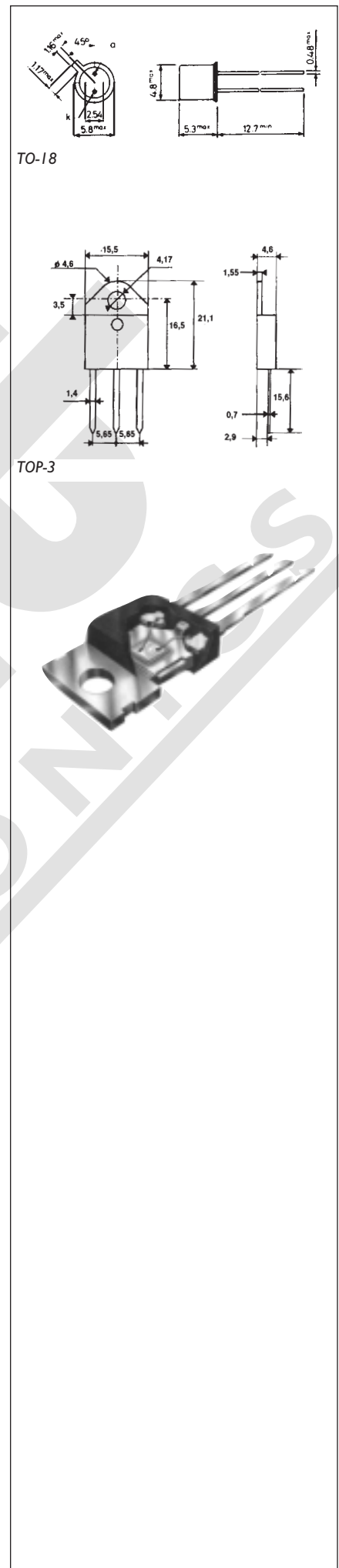
Silicium transistoren (vervolg)

art.nr.	typenr.	omschrijving	S	huis	brutoprijs in fl.
170.5641	BFW 92	15 VOLT, 50 mA, 200 mWATT, HFe 20/150	N	X 32	
171.0137	BFW 93	10 VOLT, 100 mA, 190 mWATT, HFe >25	N	X 32	
170.5648	BFX 13	20 VOLT, 100 mA, 300 mWATT, HFe 40/200	P	TO 18	
170.5669	BFX 34	60 VOLT, 5 A, 5 WATT, HFe 40/80	N	TO 39	
171.0138	BFX 36	60 VOLT, 50 mA, 600 mWATT, HFe 100-300	P	TO 39	
170.5676	BFX 37	60 VOLT, 50 mA, 360 mWATT, HFe 70/300	P	TO 18	
171.0139	BFX 39	55 VOLT, 1 A, 800 mWATT, >40	P	TO 5	
171.0140	BFX 41	75 VOLT, 1 A, 800 mWATT, >40	P	TO 5	
171.0141	BFX 52	20 VOLT, 1 A, 350 mWATT, >60	N	TO 18	
170.5680	BFX 55	40 VOLT, 400 mA, 2,2 WATT	N	TO 39	
170.5683	BFX 63	MOS FET 30 VOLT, 50 mA, 250 mWATT	N	TO 39	
171.0142	BFX 68	30 VOLT, 1 A, 800 mWATT, 100-300	N	TO 5	
171.0143	BFX 69	30 VOLT, 1 A, 800 mWATT, 40-120	N	TO 5	
171.0144	BFX 74	35 VOLT, 600 mA, 600 mWATT, 30-90	P	TO 5	
170.5690	BFX 86	40 VOLT, 1 A, 800 mWATT, HFe >70	N	TO 5	
171.0145	BFX 88	40 VOLT, 600 mA, 800 mWATT, HFe >40	P	TO 5	
170.5697	BFX 89	15 VOLT, 50 mA, 200 mWATT, HFe 25/150	N	TO 72	
171.0146	BFY 19	service transistor			
170.5711	BFY 39	45 VOLT, 100 mA, 300 mWATT, HFe >35	N	TO 18	
171.0147	BFY 40	service transistor			
171.0148	BFY 44	service transistor			
171.0149	BFY 45	90 VOLT, 100 mA, 2,5 WATT, HFe >40	N	TO 5	
170.5718	BFY 50	35 VOLT, 1 A, 800 mWATT, HFe >30	N	TO 5	
170.5725	BFY 51	30 VOLT, 1 A, 800 mWATT, HFe >40	N	TO 5	
170.5732	BFY 52	42 VOLT, 1 A, 800 mWATT, HFe >60	N	TO 5	
170.5739	BFY 55	35 VOLT, 1 A, 800 mWATT, HFe >40	N	TO 5	
170.5746	BFY 56	45 VOLT, 1 A, 800 mWATT, HFe >30	N	TO 39	
171.0150	BFY 64	40 VOLT, 600 mA, 700 mWATT, HFe >80	P	TO 5	
170.5753	BFY 90	15 VOLT, 50 mA, 200 mWATT, HFe 25/150	N	TO 72	
171.0151	BFY 94	40 VOLT, 600 mA, 800 mWATT, HFe >25	P	TO 5	
170.5760	BLW 89	28 VOLT, 2 WATT, 470 MHZ	N	SOT 122	
170.5767	BLW 90	28 VOLT, 18 WATT, 470 MHZ	N	SOT 122	
171.0152	BLY 15A	service transistor			
171.0153	BLY 49	150 VOLT, 5 A, 40 WATT, HFe 30-100	N	TO 3	
170.5774	BLW 91	28 VOLT, 30 WATT, 470 MHZ	N	SOT 122	
170.5781	BLY 87A	18 VOLT, 1,25 A, 17,5 WATT, HFe >5	N	X 28	
170.5788	BLY 88A	10 VOLT, 2,5 A, 32 WATT, HFe >5	N	X 28	
170.5795	BLY 89A	18 VOLT, 5 A, 70 WATT, HFe 10/120	N	X 28	
170.5802	BLY 90	18 VOLT, 8 A, 130 WATT, HFe >10	N	X 46	
170.5809	BLY 91A	36 VOLT, 0,75 A, 17,5 WATT, HFe >5	N	X 28	
170.5816	BLY 92A	36 VOLT, 1,5 A, 32 WATT, HFe >5	N	X 28	
170.5823	BLY 93A	36 VOLT, 3 A, 70 WATT, HFe 10/120	N	X 28	
170.5830	BLY 94	36 VOLT, 6 A, 130 WATT, HFe 10/120	N	X 46	
171.0154	BRY 55/4	service thyristor			
170.5837	BS 107	N V-MOS, 220 VOLT, 0,5 A 0,6 WATT	N	TO 92	
170.5844	BS 170	N V-MOS, 60 VOLT, 0,5 A, 0,83 WATT	N	TO 92	
170.5851	BS 250	P V-MOS, 45 VOLT, 0,5 A, 0,83 WATT	P	TO 92	
170.5858	BSS 28	50 VOLT, 1 A, 800 mWATT, HFe >30	N	TO 5	
170.5865	BSS 29	50 VOLT, 1 A, 800 mWATT, HFe >20	N	TO 5	
170.5866	BSS 88	SIPMOS, 230 VOLT, 250 mA, 1 WATT, 8E	N	TO 92	
170.5867	BSS 89	SIPMOS, 200 VOLT, 300 mA, 1 WATT, 6E	N	TO 92	
170.5868	BSS 92	SIPMOS, 200 VOLT, 150 mA, 1 WATT, 20E	P	TO 92	
170.5869	BSS 95	SIPMOS, 200 VOLT, 800 mA, 8,3 WATT, 6E	N	TO 202	
170.5870	BSS 97	SIPMOS, 200 VOLT, 1,5 A, 1 WATT, 2E	N	TO 202	
170.5871	BSS 98	SIPMOS, 50 VOLT, 300 mA, 0,63 WATT, 3,5E	N	TO 92	
170.5872	BSS 100	SIPMOS, 100 VOLT, 250 mA, 0,63 WATT, 6E	N	TO 92	
170.5873	BSS 101	SIPMOS, 200 VOLT, 160 mA, 0,63 WATT, 12E	N	TO 92	
170.5874	BSS 110	SIPMOS, 50 VOLT, 170 mA, 0,63 WATT, 10E	P	TO 92	
170.5875	BSS 125	SIPMOS, 600 VOLT, 100 mA, 1 WATT, 40E	N	TO 92	
170.5876	BSS 129	SIPMOS, 230 VOLT, 150 mA, 1 WATT, 20E	N	TO 92	
170.5879	BSV 16	60 VOLT, 1 A, 800 mWATT, HFe >40	P	TO 39	
170.5885	BSV 79	N-CHANNEL J FET 40 VOLT, 10 mA, 350 mWATT	N	TO 18	
170.5886	BSV 80	N-CHANNEL J FET 40 VOLT, 10 mA, 350 mWATT	N	TO 72	
171.0155	BSW 25	12 VOLT, 200 mA, 360 mWATT, HFe >30	P	TO 18	
171.0156	BSW 26	40 VOLT, 1 A, 500 mWATT, HFe >20	N	TO 18	
171.0157	BSW 41	25 VOLT, 500 mA, 350 mWATT, HFe >30	N	TO 18	
170.5893	BSW 66	100 VOLT, 2 A, 5 WATT, HFe >30	N	TO 5	
170.5894	BSW 67	120 VOLT, 2 A, 5 WATT, HFe >30	N	TO 5	
170.5895	BSW 68	150 VOLT, 1 A, 800 mWATT, HFe >30	N	TO 5	
170.5900	BSW 69	150 VOLT, 500 mA, 125 mWATT, HFe >30	N	SOT 33	
170.5907	BSX 19	15 VOLT, 500 mA, 360 mWATT, HFe >20	N	TO 18	
170.5914	BSX 20	15 VOLT, 500 mA, 360 mWATT, HFe >40	N	TO 18	



Silicium transistoren (vervolg)

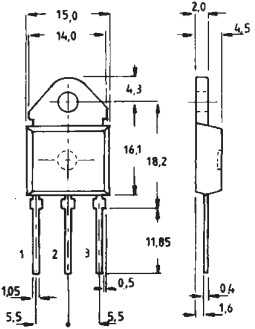
art.nr.	typenr.	omschrijving	S	huis	brutoprijs in fl.
170.5915	BSX 21	80 VOLT, 100 mA, 6,3 WATT, HFe >80	N	TO 18	
171.0158	BSX 24	32 VOLT, 250 mA, 500 mWATT, HFe >35	N	TO 18	
171.0159	BSX 29	12 VOLT, 200 mA, 360 mWATT, HFe 30-120	P	TO 18	
171.0160	BSX 30	30 VOLT, 800 mA, 800 mWATT, HFe 30-120	N	TO 5	
171.0161	BSX 33	40 VOLT, 1 A, 500 mWATT, HFe >40	N	TO 18	
171.0162	BSX 39	20 VOLT, 500 mA, 360 mWATT, HFe >40-120	N	TO 18	
171.0163	BSX 40	30 VOLT, 500 mA, 800 mWATT, HFe >40-120	P	TO 5	
170.5921	BSX 45	40 VOLT, 1 A, 6,25 mWATT, HFe >40	N	TO 39	
170.5928	BSX 46	60 VOLT, 1 A, 6,25 mWATT, HFe >40	N	TO 39	
170.5935	BSX 47	80 VOLT, 1 A, 800 mWATT, HFe >40	N	TO 39	
171.0164	BSX 51	25 VOLT, 200 mA, 300 mWATT, HFe >75-225	N	TO 18	
171.0165	BSX 52	25 VOLT, 200 mA, 300 mWATT, HFe >180-540	N	TO 18	
171.0166	BSX 52A	50 VOLT, 200 mA, 300 mWATT, HFe >180-540	N	TO 18	
171.0168	BSX 53	service transistor	N	TO 18	
171.0178	BSX 91	12 VOLT, 200 mA, 300 mWATT, HFe >40-120	N	TO 18	
170.5942	BSY 10	60 VOLT, 800 mA, 800 mWATT, HFe >45	N	TO 39	
170.5949	BSY 26	20 VOLT, 100 mA, 300 mWATT, HFe >20	N	TO 18	
171.0168	BSY 41	service transistor	N	TO 18	
171.0169	BSY 51	25 VOLT, 500 mA, 800 mWATT, HFe >40-120	N	TO 5	
171.0179	BSY 52	25 VOLT, 500 mA, 800 mWATT, HFe >100-300	N	TO 5	
171.0171	BSY 53	30 VOLT, 750 mA, 800 mWATT, HFe >40-120	N	TO 5	
171.0172	BSY 54	30 VOLT, 750 mA, 800 mWATT, HFe >100-300	N	TO 5	
170.5956	BSY 55	120 VOLT, 500 mA, 800 mWATT, HFe >40	N	TO 39	
170.5963	BSY 56	120 VOLT, 500 mA, 800 mWATT, HFe >100	N	TO 39	
171.0173	BSY 72	service transistor	N	TO 39	
171.0174	BSY 76	service transistor	N	TO 39	
171.0175	BSY 77	servicetransistor	N	TO 39	
171.0176	BSY 79	120 VOLT, 30 mA, 300 mWATT, HFe >30	N	TO 39	
171.0177	BSY 81	18 VOLT, 1 A, 900 mWATT, HFe >40-120	N	TO 39	
170.5970	BU 100	160 VOLT, 10 A, 15 WATT, HFe >40	N	TO 3	
170.5973	BU 104	150 VOLT, 7 A, 85 WATT	N	TO 3	
171.0181	BU 105	750 VOLT, 2,5 A, 10 WATT, HFe >1,7	N	TO 3	
171.0181	BU 107	120 VOLT, 15 A, 50 WATT, HFe >5	N	TO 3	
170.5977	BU 108	1K5 VOLT, 2,5 A, 12,5 WATT, HFe 4	N	TO 3	
170.5984	BU 109	120 VOLT, 10 A, 85 WATT, HFe >15	N	TO 3	
170.5991	BU 110	330 VOLT, 10 A, 60 WATT, HFe >8	N	TO 3	
170.5998	BU 111	400 VOLT, 6 A, 50 WATT, HFe >5	N	TO 3	
170.6012	BU 126	750 VOLT, 3 A, 80 WATT, HFe 15/60	N	TO 3	
170.6019	BU 128	300 VOLT, 10 A, 62 WATT, HFe >40	N	TO 3	
170.6026	BU 133	750 VOLT, 3 A, 80 WATT, HFe 15/80	N	TO 3	
170.6033	BU 180	320 VOLT, 10 A, 50 WATT, HFe >200	N	TOP 3	
170.6040	BU 205	1K5 VOLT, 3 A, 10 WATT, HFe >2	N	TO 3	
170.6047	BU 208A	700 VOLT, 7,5 A, 12 WATT, HFe >2	N	TO 3	
170.6048	BU 208	700 VOLT, 7,5 A, 12 WATT, HFe >2	N	TO 3	
170.6049	BU 208D	700 VOLT, 8 A, 150 WATT met diode	N	TO 3	
170.6054	BU 209	1K7 VOLT, 6 A, 12 WATT, HFe >2	N	TO 3	
170.6061	BU 226	2K VOLT, 10 A, 125 WATT, HFe >10	N	TO 3	
171.0182	BU 323	525 VOLT, 16 A, 125 WATT, HFe >50	N	TO 3	
170.6068	BU 326	800 VOLT, 6 A, 60 WATT, HFe >30	N	TO 3	
170.6075	BU 406	400 VOLT, 10 A, 60 WATT, HFe >10	N	TOP 66	
170.6076	BU 406D	400 VOLT, 15 A, 60 WATT, HFe >7,7	N	TOP 66	
170.6082	BU 407	330 VOLT, 10 A, 60 WATT, HFe >10	N	TOP 66	
170.6089	BU 408	200 VOLT, 7 A, 60 WATT, HFe >5	N	TOP 66	
170.6096	BU 426A	375 VOLT, 8 A, 70 WATT, HFe >60	N	TOP 3	
170.6103	BU 500	1K5 VOLT, 7,5 A, 12,5 WATT, HFe >3	N	TO 3	
170.6107	BU 508	1K2 VOLT, 8 A, 125 WATT, HFe >4	N	TOP 3	
170.6108	BU 508D	700 VOLT, 8 A, 125 WATT met diode	N	TOP 3	
170.6110	BU 526	400 VOLT, 8 A, 86 WATT, HFe 15/45	N	SOT 3	
170.6117	BU 606	400 VOLT, 15 A, 90 WATT, HFe 15/45	N	SO 3	
170.6124	BU 607	330 VOLT, 15 A, 90 WATT, HFe 15/45	N	TO 3	
170.6131	BU 608	400 VOLT, 15 A, 90 WATT, HFe 15/45	N	TO 3	
171.0183	BU 625A	service transistor	N	TO 3	
170.6135	BU 705	700 VOLT, 2,5 A, 78 WATT, HFe >2	N	TOP 3	
171.0184	BU 800S	service transistor	N	TO 3	
170.6138	BU 806	200 VOLT, 8 A, 60 WATT, HFe >100	N	TO 66	
170.6145	BU 807	150 VOLT, 8 A, 60 WATT, HFe >100	N	TO 3	
170.6146	BU 903	550 VOLT, 6 A, 125 WATT, HFe >5,5	N	TOP 3	
170.614A	BU 908	700 VOLT, 8 A, 125 WATT, HFe >5	N	TOP 3	
171.0185	BU 921P	service transistor	N	TO 3	
170.614D	BU 932	450 VOLT, 15 A, 150 WATT, HFe >50	N	TO 3	
170.614E	BUK100-50GL	50 VOLT, 13,5 A, 40 WATT, HFe >50	N	TO 220	
170.614F	BUK101-50GL	50 VOLT, 26 A, 75 WATT, HFe >50	N	TO 220	



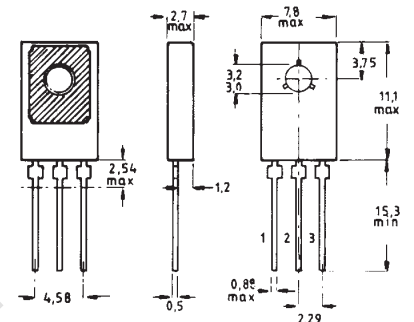
Transistoren

Silicium transistoren (vervolg)

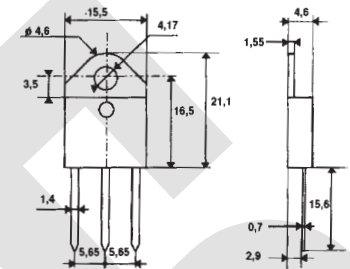
art.nr.	typenr.	omschrijving	S	huis	brutoprijs in fl.
170.614F1	BUK453-100B	100 VOLT, 13 A, 75 WATT, HFe >50	N	TO 220	
170.614F2	BUK454-200B	200 VOLT, 9,2 A, 90 WATT	N	TO 220	
170.614F3	BUK454-200B	200 VOLT, 8,2 A, 90 WATT	N	TO 220	
170.614F4	BUK455-60A	60 VOLT, 41 A, 125 WATT	N	TO 220	
170.614F5	BUK455-60B	60 VOLT, 38 A, 125 WATT	N	TO 220	
170.614F6	BUK455-100A	100 VOLT, 26 A, 125 WATT	N	TO 220	
170.614F7	BUK455-600B	600 VOLT, 4 A, 100 WATT	N	TO 220	
170.614F8	BUK456-60A	60 VOLT, 52 A, 150 WATT	N	TO 220	
170.614F9	BUK456-200B	200 VOLT, 17 A, 150 WATT	N	TO 220	
170.614F10	BUK456-800A	800 VOLT, 4 A, 125 WATT	N	TO 220	
170.614F11	BUK456-1000B	1000 VOLT, 3,5 A, 125 WATT	N	TO 220	
170.614F12	BUK555-100A	100 VOLT, 25 A, 125 WATT	N	TO 220	
170.614H	BUP 101	1000 VOLT, 20 A, 90 WATT, SIRET/IGBT TOR		TO 218	
170.614I	BUP 200	1200 VOLT, 5 A, 50 WATT, IGBT POWER TOR		TO 220	
170.614J	BUP 304	1000 VOLT, 35 A, 310 WATT, IGBT POWER TOR		TO 218	
170.614K	BUP 307	1200 VOLT, 35 A, 310 WATT, IGBT POWER TOR		TO 218	
171.0186	BUR 22	service transistor			
170.6147	BUS 14	850 VOLT, 30 A, 125 WATT, $t_f = 0,8\mu s$	N	TO 3	
170.6149	BUT 11	450 VOLT, 5 A, 100 WATT, $t_f = 0,8\mu s$	N	TO 220	
170.614B	BUT 12A	450 VOLT, 5 A, 125 WATT	N	TO 220AB	
170.614M	BUT 56A	400 VOLT, 8 A, 100 WATT, HFe >15	N	TOP 3	
170.614N	BUT 76A	450 VOLT, 12 A, 110 WATT, HFe >3,2	N	TO 220	
170.614P	BUT 98	450 VOLT, 30 A, 200 WATT, HFe >3	N	TOP 3	
170.614Q	BUV 18	60 VOLT, 80 A, 250 WATT, HFe >10	N	TO 3	
170.614R	BUV 20	125 VOLT, 50 A, 250 WATT, HFe >20	N	TO 3	
170.614S	BUV 21	200 VOLT, 40 A, 150 WATT, HFe >20	N	TO 3	
170.614T	BUV 22	125 VOLT, 40 A, 250 WATT, HFe >20	N	TO 3	
170.614U	BUV 46A	450 VOLT, 2 A, 85 WATT, HFe >5	N	TO 220	
170.614V	BUV 47A	1000 VOLT, 9 A, 120 WATT, HFe >5	N	TOP 3	
171.0187	BUV 48A	service transistor			
171.0188	BUV 48B	service transistor			
170.614W	BUV 298A	450 VOLT, 50 A, 250 WATT		ISOTOP	
170.6150	BUV 48C	700 VOLT, 15 A, 125 WATT, switching reg	N	SOT 93	
170.6151	BUV 98A	850 VOLT, 30 A, 150 WATT	N	SOT 227B	
170.615A	BUW 11	400 VOLT, 5 A, 100 WATT, HFe >5	N	TO 218	
170.615B	BUW 12	400 VOLT, 8 A, 125 WATT, HFe >5	N	TO 218	
170.615C	BUW 13A	450 VOLT, 15 A, 175 WATT, HFe >5	N	TOP 3	
171.0189	BUW 32	400 VOLT, 10 A, 125 WATT, HFe >5	P	TO 3	
171.0190	BUW 32AP	400 VOLT, 10 A, 125 WATT, HFe >5	P	TO 3	
171.0191	BUW 36	450 VOLT, 15 A, 125 WATT, HFe >8	N	TO 3	
170.615F	BUW 41B	400 VOLT, 10 A, 150 WATT, HFe >10	N	TO 220	
170.615H	BUW 50	125 VOLT, 40 A, 150 WATT, HFe >10	N	TOP 3	
170.6152	BUW 81	600 VOLT, 10 A, 80 WATT, HFe >200	N	TO 3	
170.6159	BUX 10	125 VOLT, 25 A, 150 WATT, HFe >10	N	TO 3	
170.6166	BUX 11	200 VOLT, 25 A, 150 WATT, HFe >10	N	TO 3	
170.6173	BUX 14	400 VOLT, 10 A, 150 WATT, HFe 15/60	N	TO 3	
170.6174	BUX 20	125 VOLT, 50 A, 250 WATT, HFe >20	N	TO 3	
170.6175	BUX 21	200 VOLT, 40 A, 250 WATT, HFe >20	N	TO 3	
170.6176	BUX 22	250 VOLT, 40 A, 250 WATT, HFe >20	N	TO 3	
170.6177	BUX 24	400 VOLT, 20 A, 250 WATT, HFe >15	N	TO 3	
170.6180	BUX 28	350 VOLT, 7 A, 80 WATT, HFe >300	N	TO 3	
170.6194	BUX 37	400 VOLT, 15 A, 35 WATT, HFe >20	N	TO 3	
170.6195	BUX 40	125 VOLT, 20 A, 120 WATT, HFe >15	N	TO3	
170.6196	BUX 47	400 VOLT, 8,5 A, 107 WATT, HFe >5	N	TO 3	
170.6198	BUX 48A	400 VOLT, 15 A, 175 WATT	N	TO 3	
170.6215	BUX 80	400 VOLT, 10 A, 100 WATT, HFe >15	N	TO 3	
170.6222	BUX 81	1K VOLT, 15 A, 100 WATT, HFe >15	N	TO 3	
170.6229	BUX 82	800 VOLT, 6 A, 60 WATT, HFe >15	N	TO 3	
170.6236	BUX 83	800 VOLT, 6 A, 60 WATT, HFe >15	N	TO 3	
170.6243	BUX 84	400 VOLT, 2 A, 40 WATT, HFe > 5	N	TOP 66	
170.6250	BUX 85	1K VOLT, 3 A, 40 WATT, HFe >5	N	TOP 66	
170.6257	BUX 86	400 VOLT, 500 mA, 20 WATT, HFe >5	N	TO 126	
170.6264	BUX 87	1K VOLT, 500 mA, 20 WATT, HFe >10	N	TO 126	
171.0192	BUX 98	service transistor	P		
171.0193	BUY 20	120 VOLT, 15 A, 85 WATT, HFe 20-300	N	TO 3	
171.0194	BUY 22	230 VOLT, 15 A, 85 WATT, HFe 20-300	N	TO 3	
171.0195	BUY 47	120 VOLT, 10 A, 7 WATT, HFe >40	N	TO 5	
170.6271	BUY 50	250 VOLT, 17 A, 95 WATT, HFe >20	N	TO 126	
170.6278	BUY 69	1K VOLT, 10 A, 100 WATT, HFe >15	N	TO 3	
170.6285	BUY 70	1K VOLT, 10 A, 75 WATT, HFe >15	N	TO 3	
170.6292	BUY 71	2K2 VOLT, 10 A, 40 WATT, HFe >15	N	TO 3	
170.6299	BUY 72	280 VOLT, 10 A, 60 WATT, HFe >8	N	XO 6	
170.6306	BUY 73	230 VOLT, 15 A, 100 WATT, HFe >8	N	TO 3	
170.6313	BUZ 10	SIPMOS 50 VOLT, 20 A, 70 WATT, 0,08E	N	TO 220	



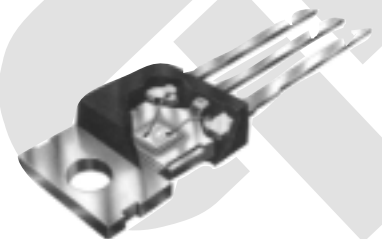
TOP-3



TO-126

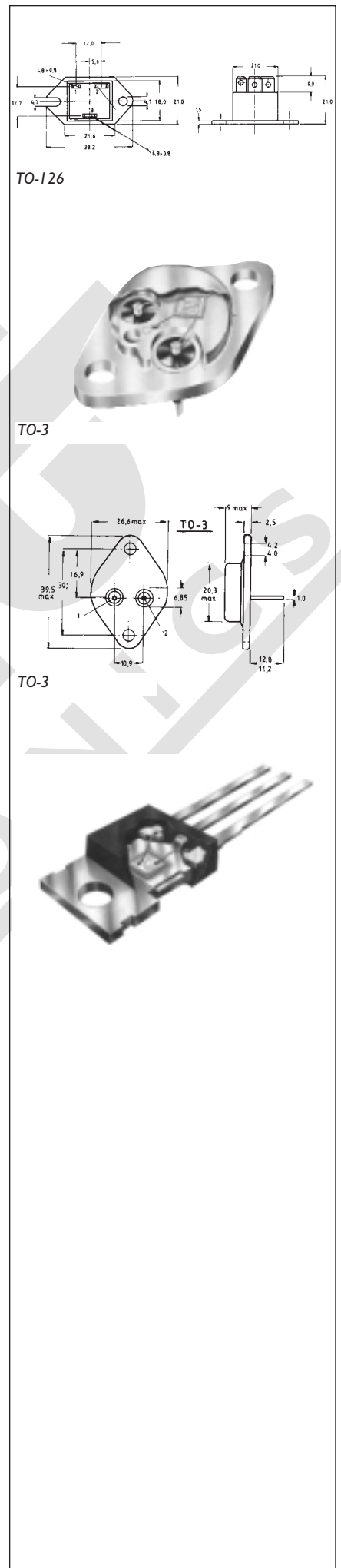


TOP-3



Silicium transistoren (vervolg)

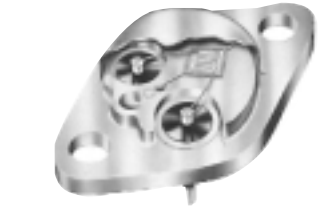
art.nr.	typenr.	omschrijving	S	huis	brutoprijs in fl.
170.6320	BUZ 11A	SIPMOS 50 VOLT, 25 A, 75 WATT, 0,06E	N	TO 220	
170.6321	BUZ 12	SIPMOS 50 VOLT, 33 A, 75 WATT, 0,035E	N	TO 220	
170.6327	BUZ 14	SIPMOS 50 VOLT, 39 A, 125 WATT	N	TO 3	
170.6334	BUZ 15	SIPMOS 50 VOLT, 45 A, 125 WATT, 0,03E	N	TO 3	
170.6341	BUZ 20	SIPMOS 100 VOLT, 12 A, 75 WATT, 0,20E	N	TO 220	
170.6348	BUZ 21	SIPMOS 100 VOLT, 19 A, 75 WATT, 0,10E	N	TO 220	
170.6349	BUZ 22	SIPMOS 100 VOLT, 32 A, 125 WATT, 0,055E	N	TO 220	
170.6355	BUZ 23	SIPMOS 100 VOLT, 10 A, 75 WATT	N	TO 3	
170.6362	BUZ 24	SIPMOS 100 VOLT, 32 A, 125 WATT, 0,06E	N	TO 3	
170.6369	BUZ 25	SIPMOS 100 VOLT, 19 A, 78 WATT, 0,10E	N	TO 3	
170.6375	BUZ 30A	SIPMOS 200 VOLT, 21 A, 75 WATT, 0,75E	N	TO 220	
170.6376	BUZ 31	SIPMOS 200 VOLT, 12,5 A, 75 WATT, 0,20E	N	TO 220	
170.6383	BUZ 32	SIPMOS 200 VOLT, 9,5 A, 75 WATT, 0,40E	N	TO 220	
170.6390	BUZ 33	SIPMOS 200 VOLT, 7,2 A, 78 WATT	N	TO 320	
170.6397	BUZ 35	SIPMOS 200 VOLT, 9,9 A, 78 WATT	N	TO 320	
170.6398	BUZ 36	SIPMOS 200 VOLT, 22 A, 125 WATT, 0,12E	N	TO 3	
170.6403	BUZ 41A	SIPMOS 500 VOLT, 4,5 A, 75 WATT, 1,50E	N	TO 220	
170.6404	BUZ 42	SIPMOS 500 VOLT, 4 A, 75 WATT, 2,00E	N	TO 220	
170.6410	BUZ 44A	SIPMOS 500 VOLT, 5 A, 125 WATT	N	TO 3	
170.6417	BUZ 45	SIPMOS 500 VOLT, 9,6 A, 125 WATT, 0,60E	N	TO 3	
170.6421	BUZ 48	SIPMOS 500 VOLT, 7,8 A, 83,3 WATT, 0,60E	N	TO 238	
170.6424	BUZ 50A	SIPMOS 1000 VOLT, 2 A, 75 WATT, 5,00E	N	TO 220	
170.6430	BUZ 53	SIPMOS 1000 VOLT, 5,1 A, 125 WATT, 2,00E	N	TO 3	
170.6431	BUZ 54	SIPMOS 1000 VOLT, 5,1 A, 125 WATT, 2,00E	N	TO 3	
170.6432	BUZ 60	SIPMOS 400 VOLT, 5,5 A, 75 WATT, 1,00E	N	TO 3	
170.6433	BUZ 64	SIPMOS 400 VOLT, 11,5 A, 125 WATT, 0,40E	N	TO 3	
170.643A	BUZ 67	SIPMOS 400 VOLT, 6,6 A, 83,3 WATT, 0,40E	N	TO 238	
170.643D	BUZ 70	SIPMOS 60 VOLT, 12 A, 40 WATT, 0,15E	N	TO 220	
170.6434	BUZ 71	SIPMOS 50 VOLT, 14 A, 40 WATT, 0,10E	N	TO 220	
170.6435	BUZ 71A	SIPMOS 50 VOLT, 12 A, 40 WATT, 0,12E	N	TO 220	
170.6436	BUZ 72A	SIPMOS 100 VOLT, 10 A, 40 WATT, 0,20E	N	TO 220	
170.6437	BUZ 73A	SIPMOS 200 VOLT, 7 A, 40 WATT, 0,40E	N	TO 220	
170.643C	BUZ 74A	SIPMOS 200 VOLT, 7 A, 40 WATT, 0,40E	N	TO 220	
170.643B	BUZ 76A	SIPMOS 400 VOLT, 3 A, 40 WATT, 1,80E	N	TO 220	
170.643E	BUZ 77	SIPMOS 600 VOLT, 2,7 A, 40 WATT, 4E	N	TO 220	
170.643F	BUZ 78	SIPMOS 800 VOLT, 1,5 A, 40 WATT, 8E	N	TO 220	
170.6438	BUZ 80	SIPMOS 800 VOLT, 2,6 A, 75 WATT, 4,00E	N	TO 220	
170.6445	BUZ 83	SIPMOS 800 VOLT, 2,9 A, 78 WATT	N	TO 3	
170.6452	BUZ 84	SIPMOS 800 VOLT, 5,3 A, 125 WATT, 2,00E	N	TO 3	
170.6456	BUZ 88A	SIPMOS 800 VOLT, 5,0 A, 83 WATT, 1,50E	N	TO 238	
170.6457	BUZ 90	SIPMOS 600 VOLT, 4,5 A, 75 WATT, 1,6E	N	TO 220	
170.6458	BUZ 94	SIPMOS 200 VOLT, 4,5 A, 125 WATT, 0,9E	N	TO 3	
170.6500	BUZ 171	SIPMOS 50 VOLT, 7 A, 40 WATT, 0,40E	P	TO 220	
170.6540	BUZ 210	SIPMOS 500 VOLT, 10,6 A, 125 WATT, 0,60E	N	TO 3	
170.6541	BUZ 211	SIPMOS 500 VOLT, 9,0 A, 125 WATT, 0,80E	N	TO 3	
170.6600	BUZ 307	SIPMOS 800 VOLT, 3 A, 75 WATT, 3,00E	N	TO 218	
170.6601	BUZ 308	SIPMOS 800 VOLT, 2,6 A, 75 WATT, 4,00E	N	TO 218	
170.6603	BUZ 310	SIPMOS 1000 VOLT, 2,5 A, 75 WATT, 5,00E	N	TO 218	
170.6604	BUZ 311	SIPMOS 1000 VOLT, 2,3 A, 75 WATT, 6,00E	N	TO 218	
170.6620	BUZ 326	SIPMOS 400 VOLT, 10,5 A, 125 WATT, 0,50E	N	TO 218	
170.6623	BUZ 345	SIPMOS 100 VOLT, 41 A, 150 WATT, 0,50E	N	TO 218	
170.6624	BUZ 349	SIPMOS 100 VOLT, 32 A, 125 WATT, 0,06E	N	TO 218	
170.6649	BUZ 350	SIPMOS 200 VOLT, 22 A, 125 WATT, 0,12E	N	TO 218	
170.6650	BUZ 351	SIPMOS 400 VOLT, 11,5 A, 125 WATT, 0,40E	N	TO 218	
170.6652	BUZ 353	SIPMOS 500 VOLT, 9,5 A, 125 WATT, 0,60E	N	TO 218	
170.6654	BUZ 355	SIPMOS 800 VOLT, 6 A, 125 WATT, 1,50E	N	TO 218	
170.6655	BUZ 356	SIPMOS 800 VOLT, 5 A, 125 WATT, 2,00E	N	TO 218	
170.6656	BUZ 357	SIPMOS 1000 VOLT, 5 A, 125 WATT, 2,00E	N	TO 218	
170.6657	BUZ 358	SIPMOS 1000 VOLT, 4,5 A, 125 WATT, 2,60E	N	TO 218	
170.6680	BUZ 384	SIPMOS 500 VOLT, 10,5 A, 125 WATT, 0,60E	N	TO 218	
170.6700	CFY 13	Ga-As FET, 5 VOLT, 100 mA, 300 mWATT	F	CER-X	
170.6701	CFY 14	Ga-As FET, 5 VOLT, 100 mA, 300 mWATT	F	CER-X	
170.6704	CFY 17	Ga-As FET, 5 VOLT, 100 mA, 300 mWATT	F	CER-X	
170.6705	CFY 18-20	Ga-As FET, 5 VOLT, 100 mA	F	CER-XF	
170.6706	CFY 18-23	Ga-As FET, 5 VOLT, 100 mA, 300 mWATT	F	CER-XF	
170.6707	CFY 19	Ga-As FET, 5 VOLT, 100 mA, 300 mWATT	F	CER-X	
170.6800	CR 390	REFERENTIE STROOMBRON		TO 18/2	
171.0196	CV 7004	service component			
171.0197	CV 7075	service component			
171.0198	CV 7326	service component			
171.0199	CV 7344	service component			
171.0200	CV 7350	service component			
171.0201	CV 7496	service component			
171.0202	CV 7648	service component			



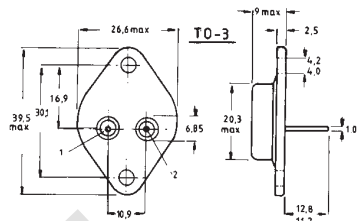
Transistoren

Silicium transistoren (vervolg)

art.nr.	typenr.	omschrijving	S	huis	brutoprijs in fl.
171.0203	D 44H10	service component			
170.6807	E 300	N-CHANNEL FET, 25 VOLT, 30 mA	N	TO 106	
170.6814	E 310	N-CHANNEL FET, 25 VOLT, 60 mA	N	TO 92	
170.6821	E 420	MATCHED DUAL N-CHANNEL J FET	N	TO 5p	
170.6828	E 430	25 VOLT, 20 mA DUAL N-CH J FET	N	TO 5	
171.0205	F 323	service component			
171.0206	F 442	service component			
171.0207	F 462	service component			
171.0208	F 661	service component			
171.0209	G 223	service component			
171.0210	GET 873	service component			
171.0211	GET 874	service component			
171.0214	GET 875	service component			
171.0212	GET 882F	service component			
171.0213	GET 880B	service component			
171.0215	GET 884	service component			
171.0216	GET 892	service component			
171.0223	GET 897	service component			
171.0217	GET 898	service component			
171.0219	GEX 13	service component			
171.0219	GEX 23	service component			
171.0221	GEX 54	service component			
171.0221	DSDS 50020	service component			
171.0222	GSRU 15030	service component			
171.0224	GSRU 15035	service component			
171.0225	GSRU 1540	service component			
171.0226	I 426A	service component			
171.0227	I 932R	service component			
171.0229	IF 422	service component			
171.0228	IF 442	service component			
171.0230	IF 464	service component			
171.0231	IP 464	service component			
171.0232	IP 469	service component			
171.0233	IP 474	service component			
171.0234	IP 475	service component			
171.0235	IRF 123	service component			
171.0236	IRF 131	service component			
171.0237	IRF 133	service component			
170.6829	IRF 140	MOSFET 100 VOLT, 28 A, 125 WATT	N	TO 3	
171.0242	IRF 143	service component			
170.682A	IRF 150	MOSFET 100 VOLT, 40 A, 150 WATT	N	TO 3	
170.682B	IRF P152	MOSFET 100 VOLT, 43 A, 150 WATT	N	TO 218	
171.0243	IRF 220	service component			
171.0244	IRF 230	service component			
171.0245	IRF 330	service component			
171.0245	IRF 340	service component			
171.0239	IRF 353	service component			
171.0240	IRF 431	service component			
170.682C	IRF P450	MOSFET 500 VOLT, 14 A, 180 WATT	N	TO 218	
170.682D	IRF P451	MOSFET 450 VOLT, 14 A, 180 WATT	N	TO 218	
171.0241	IRF 510	service component			
170.0238	IRF 520	service component			
170.682E	IRF 521	MOSFET 80 VOLT, 9,2 A, 60 WATT	N	TO 220	
170.682F	IRF 530	MOSFET 100 VOLT, 14 A, 79 WATT	N	TO 220	
170.682H	IRF 540	MOSFET 100 VOLT, 27 A, 125 WATT	N	TO 220	
171.0247	IRF 541	service component			
171.0248	IRF 543	service component			
170.682G	IRF 610	MOSFET 200 VOLT, 2,5 A, 20 WATT	N	TO 220	
171.0249	IRF 613	service component			
170.6830	IRF 630	HEXFET 200 VOLT, 9 A, 75 W, Rds-on 0,4E	N	TO 220ab	
170.6833	IRF 640	HEXFET 200 VOLT, 18A, 125W, Rds-on 0,18E	N	TO 220ab	
170.6835	IRF 710	HEXFET 400 VOLT, 2A, 36W, 3,6R	N	TO 220	
170.6836	IRF 720	HEXFET 400 VOLT, 3,3A, 50W, 1,8R	N	TO 220	
170.6836A	IRF 730	HEXFET 400 VOLT, 5,5A, 74W, 1,0R	N	TO 220	
170.6836B	IRF 740	HEXFET 400 VOLT, 10A, 125W, 0,55R	N	TO 220	
171.0250	IRF 721	service component			
170.6837	IRF 740FI	MOSFET 400 VOLT, 5,5 A, 40 WATT	N	ISO 218	
170.6839	IRF 820	MOSFET 500 VOLT, 4 A, 75 WATT, 1,5E	N	TO 220	
171.0251	IRF 823	service component			
170.6838	IRF 830	MOSFET 500 VOLT, 4,5 A, 74 WATT	N	TO 220	
170.6840	IRF 840	HEXFET 500 VOLT, 8 A, 125 W, Rds-on 0,85E	N	TO 220ab	
171.0252	IRF 9140	service component			
171.0253	IRF 9141	service component			
170.6848	IRF 9520	MOSFET 100 VOLT, 8 A, 75 WATT, 0,4E	P	TO 220	



TO-3



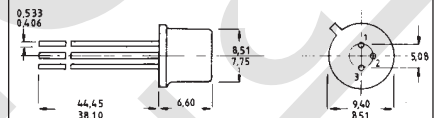
TO-3

Silicium transistoren (vervolg)

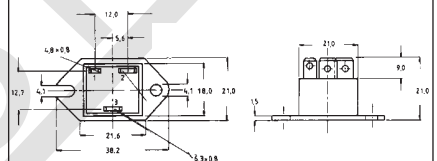
art.nr.	typenr.	omschrijving	S	huis	brutoprijs in fl.
170.6850	IRF 9530	MOSFET 100 VOLT, 12 A, 75 WATT	P	TO 220	
170.6860	IRF 9540	HEXFET 100 VOLT, 19A, 125W, Rds-on 0,2E	P	TO 220ab	
170.6865	IRF 9619	MOSFET 200 VOLT, 1,75 A, 20 WATT	P	TO 220	
170.6866	IRF 9620	MOSFET 200 VOLT, 2,5 A, 40 WATT, 1,5R	P	TO 220	
170.6867	IRF 9630	MOSFET 200 VOLT, 6,5 A, 74 WATT, 0,8R	P	TO 220	
170.6870	IRF 9640	HEXFET 150 VOLT, 11 A, 125 W, Rds-on 0,5E	P	TO 220ab	
171.0255	IRF C110	service component			
171.02551	IRF D110	100 VOLT, 1A, 1,3 WATT, 0,54R	N	DIP 4	
171.02552	IRF D120	100 VOLT, 1,3A, 1,3 WATT, 0,3R	N	DIP 4	
171.02553	IRF D9120	100 VOLT, 1A, 1,3 WATT, 0,6R	P	DIP 4	
171.0256	IRF F111	service component			
171.0257	IRF P050X	service component			
171.0257A	IRF P140	service component			
171.6871	IRF P150	100 VOLT, 40A, 230 WATT, 0,06R	N	TO 247	
171.0259	IRF P151	service component			
171.0260	IRF P240	service component			
171.6874	IRF P250	200 VOLT, 30A, 190 WATT, 0,09R	N	TO 247	
171.0262	IRF P341	500 VOLT, 14A, 190 WATT, 0,4R	N	TO 247	
171.6876	IRF P450	service component			
171.0263	IRF P451	service component			
171.0254	IRF P924L	service component			
171.0264	IRF P9140	service component			
171.0265	IRF Z22	service component			
171.6880	IRF Z34N	55 VOLT, 26A, 56 WATT, 0,04R	N	TO 247	
171.0266	IRF Z42	service component			
171.6882	IRF Z44N	55 VOLT, 41A, 83 WATT, 0,024R	N	TO 247	
171.0267	IV 48C	service component			
171.0268	IW 42A	service component			
171.0270	IEE 3958	service component			
171.0271	MAC 11-7	service component			
171.0272	MAC 15A6	service component			
171.0273	MC 9426	service component			
171.0275	MCR 106/4	service component			
171.0276	MD 7001	30 VOLT, 600 mA, 650 mWATT, HFe >70	P		
171.0277	MEM 51 IG	service component			
171.0278	MF 9626	service component			
171.0279	MHT 5901	service component			
171.0280	MJ 411	300 VOLT, 10 A, 100 WATT, HFe 30-90	N	TO 3	
171.0281	MJ 421S	325 VOLT, 500 mA, 800 mWATT, HFe 25-250	N	TO 5	
170.6900	MJ 802	100 VOLT, 30 A, 200 WATT, HFe 25/100	N	TO 3	
170.6907	MJ 900	60 VOLT, 8 A, 90 WATT, HFe >750	P	TO 3	
170.6914	MJ 901	80 VOLT, 8 A, 90 WATT, HFe >750	N	TO 3	
170.6921	MJ 1000	60 VOLT, 8 A, 90 WATT, HFe >750	N	TO 3	
170.6928	MJ 1001	80 VOLT, 8 A, 90 WATT, HFe >750	N	TO 3	
170.6935	MJ 2500	60 VOLT, 10 A, 150 WATT, HFe 1000	P	TO 3	
170.6942	MJ 2501	80 VOLT, 10 A, 150 WATT, HFe 1000	P	TO 3	
171.0282	MJ 2901	40 VOLT, 15 A, 115 WATT, HFe 15-60	P	TO 3	
170.6949	MJ 2955	60 VOLT, 15 A, 150 WATT, HFe >5	P	TO 3	
170.6956	MJ 3000	COMPLEMENTAIR MET MJ 2500	N	TO 3	
170.6963	MJ 3001	COMPLEMENTAIR MET MJ 2501	N	TO 3	
171.0283	MJ 3041	300 VOLT, 7 A, 100 WATT, HFe >50	N	TO 3	
170.6970	MJ 3055	100 VOLT, 15 A, 150 WATT, HFe 1000	N	TO 3	
170.6977	MJ 4030	60 VOLT, 16 A, 150 WATT, HFe 1000	P	TO 3	
170.6980	MJ 4033	60 VOLT, 16 A, 150 WATT	N	TO 3	
170.6984	MJ 4502	100 VOLT, 30 A, 200 WATT, HFe 25/100	P	TO 3	
170.6991	MJ 15003	140 VOLT, 20 A, 200 WATT, HFe >25	N	TO 3	
170.6998	MJ 15004	COMPLEMENTAIR MET MJ 15003	P	TO 3	
170.6999	MJ 15024	250 VOLT, 16 A, 250 WATT	N	TO 3	
170.7000	MJ 15025	250 VOLT, 16 A, 250 WATT	N	TO 3	
171.0284	MJ 16002	service transistor			
171.0285	MJE 243	100 VOLT, 8 A, 15 WATT, HFe 40-120	N	TO 126	
170.7005	MJE 340	300 VOLT, 500 mA, 20 WATT, HFe 30/240	N	TO 126	
170.7012	MJE 350	300 VOLT, 500 mA, 20,8 WATT, HFe >30	P	TO 126	
171.0286	MJE 521	40 VOLT, 8 A, 40 WATT, HFe >40	N	TO 126	
171.0287	MJE 585	service transistor			
171.0288	MJE 700	60 VOLT, 4 A, 40 WATT, HFe >750	P	TO 126	
171.0289	MJE 800	60 VOLT, 4 A, 40 WATT, HFe >750	N	TO 126	
170.7019	MJE 2955	60 VOLT, 10 A, 75 WATT, HFe 20/70	P	TOP 66	
170.7026	MJE 3055	60 VOLT, 10 A, 75 WATT, HFe 20/70	N	TOP 66	
171.0290	MJE 13004	300 VOLT, 80 A, 75 WATT, HFe 10-60	N	TOP 66	
171.699A	MJE 13007	400 VOLT, 8 A, 80 WATT > 4 MHz.	N	TOP 66	
171.0291	MGM 5N50	service transistor			
171.0292	MM 4001	service transistor			



TO-3



TO-5



TO-126

Transistoren

Silicium transistoren (vervolg)

art.nr.	typenr.	omschrijving	S	huis	brutoprijs in fl.
171.0293	MN 3002	service transistor			
171.0294	MPC 2014	service transistor			
171.0295	MPF 102	25 VOLT, 10 mA, 310 WATT, HFe 2-7,5	N	TO 92	
171.0296	MPF 103	25 VOLT, 16 mA, 310 WATT, HFe 1-5	N	TO 92	
171.0297	MPF 105	25 VOLT, 16 mA, 200 WATT, HFe 2-6	N	TO 92	
171.0298	MPF 109	25 VOLT, 10 mA, 310 WATT, HFe 0,8-6	N	TO 92	
171.0300	MPS 918	15 VOLT, 200 mA, 310 WATT, HFe >25	N	TO 92	
171.0301	MPS 3640	12 VOLT, 80 mA, 350 WATT, HFe 30-120	P	TO 92	
171.0302	MPS 6518	40 VOLT, 100 mA, 350 WATT, HFe 150-300	P	TO 92	
171.0306	MPS 6530	40 VOLT, 600 mA, 350 WATT, HFe 40-120	N	TO 92	
170.7033	MPS 6531	40 VOLT, 600 mA, 350 mWATT, HFe 90/270	N	TO 92	
171.0303	MPS 6532	30 VOLT, 600 mA, 350 WATT, HFe 30	N	TO 92	
171.0304	MPS 6533	40 VOLT, 600 mA, 350 WATT, HFe 40-120	P	TO 92	
171.0305	MPS 6535	30 VOLT, 600 mA, 350 WATT, HFe >30	P	TO 92	
171.0307	MPS 6545	45 VOLT, 100 mA, 625 WATT, HFe 20	N	TO 92	
170.7040	MPSA 05	60 VOLT, 500 mA, 500 mWATT, HFe >50	N	TO 92	
170.7047	MPSA 06	80 VOLT, 500 mA, 500 mWATT, HFe >50	N	TO 92	
171.0308	MPSA 10	40 VOLT, 100 mA, 300 mWATT, HFe 40-400	N	TO 92	
171.0309	MPSA 18	45 VOLT, 200 mA, 625 mWATT, HFe 500-1500	N	TO 92	
170.7054	MPSA 42	300 VOLT, 500 mA, 625 mWATT, HFe >40	N	TO 92	
171.0310	MPSA 43	200 VOLT, 500 mA, 625 mWATT, HFe >40	N	TO 92	
171.0311	MPSA 56	80 VOLT, 500 mA, 625 mWATT, HFe >50	P	TO 92	
171.0312	MPSA 63	30 VOLT, 500 mA, 625 mWATT, HFe >10k	P	TO 92	
171.0313	MPSA 64	30 VOLT, 500 mA, 625 mWATT, HFe >20k	P	TO 92	
170.7068	MPSA 92	300 VOLT, 500 mA, 625 mWATT, HFe >25	P	TO 92	
170.7075	MPSA 93	200 VOLT, 500 mA, 625 mW, HFe 30/150	P	TO 92	
171.0314	MPSL 01	service transistor	N	TO 92	
171.0315	MPSU 03	120 VOLT, 1 A, 10 WATT, HFe 40	N	X 17	
170.7082	MPSU 05	60 VOLT, 2 A, 10 WATT, HFe 80/125	N	X 17	
170.7089	MPSU 06	80 VOLT, 2 A, 10 WATT, HFe 80/125	N	X 17	
171.0316	MPSU 10	300 VOLT, 500 mA, 10 WATT, HFe 40	N	X 17	
170.7096	MPSU 45	50 VOLT, 2 A, 1 WATT, HFe >25000	N	X 17	
170.7103	MPSU 55	60 VOLT, 2 A, 1 WATT, HFe 80/160	P	X 17	
170.7110	MPSU 95	50 VOLT, 2 A, 1 WATT, HFe >25000	P	X 17	
170.7117	MRF 237	18 VOLT, 640 mA, 8 WATT, 225 MHz	N	TO 39	
170.7124	MRF 238	18 VOLT, 4 A, 65 WATT, 225 MHz	N	T 113	
171.0318	MRF 243	18 VOLT, 15 A, 175 WATT, 175 MHz	N	T 90	
170.7138	MRF 245	18 VOLT, 20 A, 250 WATT, 175 MHz	N	T 90	
170.7145	MRF 450	20 VOLT, 7,5 A, 115 WATT, 30 MHz	N	X 106	
170.7152	MRF 454	25 VOLT, 20 A, 250 WATT, 30 MHz	N	X 92	
170.7153	MRF 455	25 VOLT, 20 A, 250 WATT, 30 MHz	N	X 92	
170.7159	MRF 475	18 VOLT, 4 A, 10 WATT, HFe >30	N	TO 220	
170.7162	MRF 477	25 VOLT, 20 A, 250 WATT, 30 MHz	N	X 92	
170.7166	MRF 629	16 VOLT, 400 mA, 5 WATT, HFe 20/200	N	TO 39	
170.7173	MRF 646	16 VOLT, 8 A, 130 WATT, HFe 10/200	N	X 136	
171.0319	MTH 40N06	service component			
171.0320	MTM 1N100	service component			
171.0321	MTM 2P5	service component			
171.0324	MTM 12N06	service component			
171.0322	MTM 12P06	service component			
171.0325	MUR 3040PT	service component			
171.0326	NKT 270	service component			
171.0327	NKT 275	service component			
171.0323	NTP 4N50	service component			
171.0328	OC 16	germanium transistor			
171.0329	OC 19	germanium transistor			
171.0330	OC 22	germanium transistor			
171.0331	OC 41	germanium transistor			
171.0332	OC 42	germanium transistor			
171.0333	OC 43	germanium transistor			
171.0334	OC 44	germanium transistor			
171.0335	OC 45	germanium transistor			
171.0336	OC 46/1	germanium transistor			
171.0337	OC 57	germanium transistor			
171.0338	OC 58	germanium transistor			
171.0339	OC 59	germanium transistor			
171.0341	OC 72	germanium transistor			
171.0342	OC 73	germanium transistor			
171.0343	OC 75	germanium transistor			
171.0340	OC 76	germanium transistor			
171.0346	OC 77	germanium transistor			
171.0347	OC 78	germanium transistor			
171.0347	OC 81Z	germanium transistor			
171.0348	OC 83	germanium transistor			



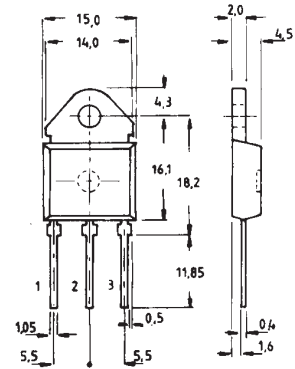
Silicium transistoren (vervolg)

art.nr.	typenr.	omschrijving	S	huis	brutoprijs in fl.
171.0349	OC 123	germanium transistor			
171.0350	OC 139	germanium transistor			
171.0351	OC 140	germanium transistor			
171.0352	OC 141	germanium transistor			
171.0353	OC 169	germanium transistor			
171.0354	OC 201	germanium transistor			
171.0355	OC 203	germanium transistor			
171.0357	OC 461	germanium transistor			
171.0356	ON 395	service component			
171.0358	ON 398	service component			
171.0359	P 311	service component			
171.0360	P 321	service component			
171.0361	P 356	service component			
171.0362	P 361	service component			
171.0363	P 362	service component			
171.0364	P 363	service component			
171.0365	P 367	service component			
171.0366	P 466	service component			
171.0367	P 469	service component			
171.0368	P 474	service component			
171.0369	P 477	service component			
171.0370	P 479	service component			
171.0371	P 482	service component			
171.0372	P 492	service component			
171.0373	P 571	service component			
171.0374	P 579	service component			
171.0375	P 592	service component			
171.0376	PO 4	service component			
170.7180	S80DA020D	200 VOLT, 120 A, 375 WATT	N	TO 240	
171.0377	SAO 319	service component			
171.0378	SAO 419	service component			
171.0387	SDM 2117	service component			
171.0379	SDT 5505	service component			
171.0380	SDT 5901	service component			
171.0381	SDT 6902	service component			
171.0382	SDT 7604	service component			
171.0383	SDT 7605	service component			
171.0384	SDT 7612	service component			
171.0385	SDT 7736	service component			
171.0386	SDT 9202	service component			
171.0388	SE 9402	100 VOLT, 10 A, 70 WATT, HFe >100	P		
171.0389	SE 9405	100 VOLT, 10 A, 70 WATT, HFe >100	P		
171.0390	SGS D100	service component			
171.0391	SGS 126	service component			
171.0394	SM 2161P	service component			
171.0392	ST 1802	service component			
171.0393	ST 7732	service component			
171.0395	SX 633	service component			
171.0396	SX 634	service component			
171.0397	SX 636	service component			
171.0398	SX 640	service component			
171.0399	SX 642	service component			
171.0400	SX 643	service component			
171.0401	SX 761	service component			
171.0404	T 280	service component			
171.0414	T 281	service component			
171.0405	T 4100	service component			
171.0415	T 4101	service component			
171.0403	TA 7153	service component			
171.0402	TF 183	service component			
171.0406	TI 494	service component			
171.0407	TI 921A	service component			
171.0408	TIP 27	service component			
171.0409	TIP 29	40 VOLT, 1 A, 30 WATT, HFe 40/200	N	TOP 66	
170.7194	TIP 29A	60 VOLT, 1 A, 30 WATT, HFe 40/200	N	TOP 66	
171.0410	TIP 29B	80 VOLT, 1 A, 30 WATT, HFe 40/200	N	TOP 66	
170.7208	TIP 29C	100 VOLT, 1 A, 30 WATT, HFe 40/200	N	TOP 66	
171.0411	TIP 30	COMPLEMENTAIR MET TIP 29	P	TOP 66	
170.7222	TIP 30B	COMPLEMENTAIR MET TIP 29A	P	TOP 66	
170.7229	TIP 30C	COMPLEMENTAIR MET TIP 29C	P	TOP 66	
170.7243	TIP 31B	80 VOLT, 3 A, 40 WATT, HFe 20/100	N	TOP 66	
170.7250	TIP 31C	100 VOLT, 3 A, 40 WATT, HFe 20/100	N	TOP 66	
171.0418	TIP 32	COMPLEMENTAIR MET TIP 31	P	TOP 66	
171.0419	TIP 32A	COMPLEMENTAIR MET TIP 31A	P	TOP 66	

Transistoren

Silicium transistoren (vervolg)

art.nr.	typenr.	omschrijving	S	huis	brutoprijs in fl.
170.7264	TIP 32B	COMPLEMENTAIR MET TIP 31B	P	TOP 66	
170.7271	TIP 32C	COMPLEMENTAIR MET TIP 31C	P	TOP 66	
171.0417	TIP 33A	60 VOLT, 10 A, 80 WATT, HFe >20	N	TOP 3	
170.7285	TIP 33B	80 VOLT, 10 A, 80 WATT, HFe >20	N	TOP 3	
170.7292	TIP 33C	100 VOLT, 10 A, 80 WATT, HFe >20	N	TOP 3	
171.0420	TIP 34A	COMPLEMENTAIR MET TIP 33A	P	TOP 3	
170.7306	TIP 34B	COMPLEMENTAIR MET TIP 33B	P	TOP 3	
170.7313	TIP 34C	COMPLEMENTAIR MET TIP 33C	P	TOP 3	
171.0421	TIP 35A	60 VOLT, 25 A, 125 WATT, HFe >10	N	TOP 3	
171.0422	TIP 35B	80 VOLT, 25 A, 125 WATT, HFe >10	N	TOP 3	
170.7320	TIP 35C	100 VOLT, 25 A, 125 WATT, HFe >10	N	TOP 3	
171.0423	TIP 36A	COMPLEMENTAIR MET TIP 35A	P	TOP 3	
171.0424	TIP 36B	COMPLEMENTAIR MET TIP 35B	P	TOP 3	
170.7327	TIP 36C	COMPLEMENTAIR MET TIP 35C	P	TOP 3	
171.0425	TIP 41A	60 VOLT, 6 A, 65 WATT, HFe 15/75	N	TOP 66	
170.7334	TIP 41B	80 VOLT, 6 A, 65 WATT, HFe 15/75	N	TOP 66	
170.7341	TIP 41C	100 VOLT, 6 A, 65 WATT, HFe 15/75	N	TOP 66	
171.0426	TIP 42A	COMPLEMENTAIR MET TIP 41A	P	TOP 66	
170.7348	TIP 42B	COMPLEMENTAIR MET TIP 41B	P	TOP 66	
170.7355	TIP 42C	COMPLEMENTAIR MET TIP 41C	P	TOP 66	
170.7362	TIP 47	250 VOLT, 1 A, 40 WATT, HFe 30/150	N	TOP 66	
170.7363	TIP 48	300 VOLT, 1 A, 40 WATT, HFe 30/150	N	TOP 66	
170.7364	TIP 49	350 VOLT, 1 A, 40 WATT, HFe 30/150	N	TOP 66	
170.7369	TIP 50	400 VOLT, 1 A, 40 WATT, HFe 30/150	N	TOP 66	
170.736A	TIP 51	125 VOLT, 3 A, 100 WATT	N	TO 218	
170.7370	TIP 52	300 VOLT, 3 A, 100 WATT, HFe 30/150	N	TOP 3	
170.7371	TIP 53	350 VOLT, 5 A, 100 WATT, HFe 30/150	N	TOP 3	
170.7372	TIP 54	400 VOLT, 5 A, 100 WATT, HFe 30/150	N	TOP 3	
170.7373	TIP 55	250 VOLT, 10 A, 50 WATT, HFe 10/100	N	TOP 3	
170.737A	TIP 55A	250 VOLT, 7,5 A, 50 WATT	N	TO 218	
170.7374	TIP 56	300 VOLT, 10 A, 50 WATT, HFe 10/100	N	TOP 3	
170.7375	TIP 57	350 VOLT, 10 A, 50 WATT, HFe 10/100	N	TOP 3	
170.7376	TIP 58	400 VOLT, 7,5 A, 50 WATT, HFe 10/100	N	TOP 3	
170.737B	TIP 58A	400 VOLT, 7,5 A, 50 WATT	N	TO 218	
170.7377	TIP 61	60 VOLT, 500 mA, 15 WATT, HFe 15/100	N	TOP 66	
170.7378	TIP 75	200 VOLT, 3 A, 65 WATT, 10 MHz	N	TO 220	
170.7379	TIP 75C	400 VOLT, 3 A, 65 WATT, 10 MHz	N	TO 220	
170.737C	TIP 100	60 VOLT, 8 A, 80 WATT	N	TO 220	
170.737D	TIP 101	80 VOLT, 8 A, 80 WATT	N	TO 220	
170.737E	TIP 102	100 VOLT, 8 A, 80 WATT	N	TO 220	
170.737F	TIP 105	60 VOLT, 8 A, 80 WATT	P	TO 220	
170.737G	TIP 106	80 VOLT, 8 A, 80 WATT	P	TO 220	
170.737H	TIP 107	100 VOLT, 8 A, 80 WATT	P	TO 220	
170.7380	TIP 110	80 VOLT, 2 A, 50WATT, HFe >750	N	TOP 66	
170.7383	TIP 111	80 VOLT, 4 A, 50WATT, HFe >750	N	TOP 66	
170.7390	TIP 112	100 VOLT, 4 A, 50 WATT, HFe >750	N	TOP 66	
170.7397	TIP 115	COMPLEMENTAIR MET TIP 110	P	TOP 66	
170.7403	TIP 116	COMPLEMENTAIR MET TIP 111	P	TOP 66	
170.7410	TIP 117	COMPLEMENTAIR MET TIP 112	P	TOP 66	
170.7417	TIP 120	60 VOLT, 5 A, 60 WATT, HFe 1000	N	TOP 66	
170.7424	TIP 121	80 VOLT, 5 A, 60 WATT, HFe 1000	N	TOP 66	
170.7431	TIP 122	100 VOLT, 5 A, 65 WATT, HFe 1000	N	TOP 66	
170.7438	TIP 125	COMPLEMENTAIR MET TIP 120	P	TOP 66	
170.7445	TIP 126	80 VOLT, 5 A, 65 WATT, HFe 1000	P	TOP 66	
170.7452	TIP 127	COMPLEMENTAIR MET TIP 122	P	TOP 66	
170.7459	TIP 130	60 VOLT, 8 A, 70 WATT, HFe 1000	N	TOP 66	
170.7466	TIP 131	80 VOLT, 8 A, 70 WATT, HFe 1000	N	TOP 66	
170.7573	TIP 132	100 VOLT, 8 A, 70 WATT, HFe 1000	N	TOP 66	
170.7480	TIP 135	COMPLEMENTAIR MET TIP 130	P	TOP 66	
170.7487	TIP 136	COMPLEMENTAIR MET TIP 131	P	TOP 66	
170.7494	TIP 137	COMPLEMENTAIR MET TIP 132	P	TOP 66	
170.7501	TIP 140	60 VOLT, 10 A, 125 WATT, HFe 500	N	TOP 3	
170.7508	TIP 141	80 VOLT, 10 A, 125 WATT, HFe 500	N	TOP 3	
170.7515	TIP 142	100 VOLT, 10 A, 125 WATT, HFe 500	N	TOP 3	
170.7522	TIP 145	COMPLEMENTAIR MET TIP 140	P	TOP 3	
170.7529	TIP 146	COMPLEMENTAIR MET TIP 141	P	TOP 3	
170.7536	TIP 147	COMPLEMENTAIR MET TIP 142	P	TOP 3	
170.7538	TIP 150	300 VOLT, 7 A, 80WATT, 10 MHz	N	TO 220	
171.0427	TIP 151	350 VOLT, 7 A, 80 WATT, 10 MHz	N	TO 220	
170.7539	TIP 152	400 VOLT, 7 A, 80 WATT, 10 MHz	N	TO 220	
170.7543	TIP 160	320 VOLT, 10 A, 50 WATT, HFe >200	N	TOP 3	
170.7550	TIP 161	350 VOLT, 10 A, 50 WATT, HFe >200	N	TOP 3	
170.7557	TIP 162	380 VOLT, 10A, 50WATT, HFe >200	N	TOP 3	



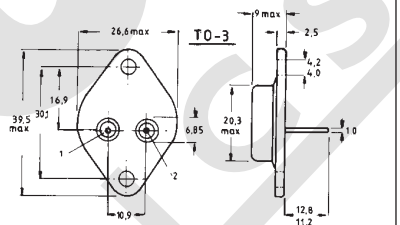
TO-218

Silicium transistoren (vervolg)

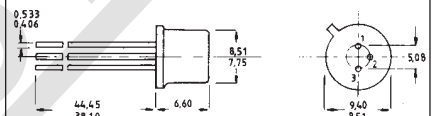
art.nr.	typenr.	omschrijving	S	huis	brutoprijs in fl.
171.0430	TIP 620	60 VOLT, 8 A, 65 WATT	N	TO 3	
171.0431	TIP 625	60 VOLT, 8 A, 65 WATT	P	TO 3	
170.7560	TIP 626	80 VOLT, 5 A, 65 WATT	P	TO 3	
171.0432	TIP 640	60 VOLT, 15 A, 175 WATT	N	TO 3	
170.7564	TIP 2955	70 VOLT, 15 A, 90 WATT, HFe >20	P	TOP 3	
170.7571	TIP 3055	COMPLEMENTAIR MET TIP 2955	N	TOP 3	
171.0428	TIP 3771	service transistor I			
171.0429	TIS 18	13 VOLT, 30 mA, 200 mWATT, HFe >20	N	TO 92	
171.0433	TIS 21A	service transistor			
171.0434	TIS 25	50 VOLT, 10 mA, 600 mWATT, HFe 1,5-6	N		
171.0435	TIS 37	32 VOLT, 50 mA, 200 mWATT, HFe >45	P	TO 92	
171.0436	TIS 44	service transistor			
171.0437	TIS 45	service transistor			
171.0438	TIS 47	service transistor			
171.0439	TIS 50	service transistor			
171.0441	TIS 51	service transistor			
171.0442	TIS 54	service transistor			
171.0443	TIS 55	service transistor			
171.0444	TIS 60	25 VOLT, 400 mA, 300 mWATT, HFe 100-300	N	TO 92	
171.0445	TIS 60M	25 VOLT, 400 mA, 300 mWATT, HFe 100-300	N	TO 92	
171.0446	TIS 61	25 VOLT, 400 mA, 300 mWATT, HFe 100-300	P	TO 92	
171.0447	TIS 61M	25 VOLT, 400 mA, 300 mWATT, HFe 100-300	P	TO 92	
171.0448	TIS 62	12 VOLT, 30 mA, 250 mWATT, HFe >30	N	TO 92	
171.0449	TIS 73	30 VOLT, 50 mA, 360 mWATT	N	TO 92	
171.0450	TIS 74	50 VOLT, 50 mA, 360 mWATT	N	TO 92	
171.0451	TIS 75	60 VOLT, 50 mA, 360 mWATT	N	TO 92	
171.0452	TIS 84	30 VOLT, 50 mA, 250 mWATT, HFe >30	N	TO 92	
171.0453	TIS 86	30 VOLT, 50 mA, 400 mWATT, HFe 40-200	N	TO 92	
171.0455	TIS 90	40 VOLT, 400 mA, 625 mWATT, HFe 100-300	N	TO 92	
171.0456	TIS 92	40 VOLT, 400 mA, 625 mWATT, HFe 100-300	N	TO 92	
171.0457	TIS 92M	40 VOLT, 400 mA, 625 mWATT, HFe 100-300	N	TO 92	
171.0458	TIS 93	40 VOLT, 400 mA, 625 mWATT, HFe 100-300	N	TO 92	
171.0459	TIS 126	40 VOLT, 50 mA, 400 mWATT, HFe >20	N	TO 92	
171.0460	TIS 129	25 VOLT, 30 mA, 250 mWATT, HFe >60	N	TO 92	
171.0461	TH 25N10	service component			
171.0462	TN 59	service component			
171.0463	TP 20N10	service component			
171.0464	TP 2N90	service component			
170.7578	VN 88 AF	N-CHANNEL POWER FET, 80 VOLT, 2 A, 12,5 W	N	TO 202	
171.0465	VP 0104N2	service component			
171.0467	XGSR 15040	service component			
170.8000	2N251	60 VOLT, 3 A, 26 WATT, HFe 30/90	P	TO 3	
170.8007	2N329A	50 VOLT, 50 mA, 390 mWATT, HFe 36/88	P	TO 5	
171.0468	2N404A	40 VOLT, 150 mA, 150 mWATT, HFe >24	P	TO 5	
170.8014	2N441	40 VOLT, 4 A, 50 WATT, HFe 20/40	P	TO 36	
170.8021	2N458A	40 VOLT, 7 A, 150 WATT, HFe 30/90	P	TO 3	
170.8028	2N585	25 VOLT, 200 mA, 120 mWATT, HFe >20	N	TO 5	
171.0469	2N656	60 VOLT, 50 mA, 1 WATT, HFe 30-90	N	TO 5	
171.0470	2N696	60 VOLT, 1 A, 600 mWATT, HFe 20-60	N	TO 5	
170.8035	2N697	60 VOLT, 500 mA, 600 mWATT, HFe 40/120	N	TO 5	
171.0471	2N698	60 VOLT, 1 A, 800 mWATT, HFe 20-60	N	TO 5	
170.8042	2N706	15 VOLT, 100 mA, 300 mWATT, HFe >20	P	TO 18	
170.8049	2N708	15 VOLT, 100 mA, 360 mWATT, HFe 30/120	N	TO 18	
170.8056	2N709	15 VOLT, 250 mA, 360 mWATT, HFe 30/120	N	TO 18	
170.8063	2N718	60 VOLT, 500 mA, 400 mWATT, HFe 40/120	N	TO 18	
171.0472	2N719	120 VOLT, 1 A, 400 mWATT, HFe 20/60	N	TO 18	
171.0473	2N720	120 VOLT, 1 A, 400 mWATT, HFe 20/120	N	TO 18	
171.0474	2N730	60 VOLT, 1 A, 500 mWATT, HFe 20/60	N	TO 18	
171.0475	2N731	60 VOLT, 1 A, 500 mWATT, HFe 20/120	N	TO 18	
171.0476	2N735	60 VOLT, 1 A, 500 mWATT, HFe 30/100	N	TO 18	
171.0477	2N736	60 VOLT, 1 A, 500 mWATT, HFe 60/200	N	TO 18	
170.8070	2N744	20 VOLT, 200 mA, 300 mWATT, HFe 40/120	N	TO 18	
170.8077	2N753	25 VOLT, 200 mA, 300 mWATT, HFe 40/120	N	TO 18	
171.0478	2N903	service transistor			
171.0479	2N910	60 VOLT, 400 mWATT, HFe >110	N	TO 18	
170.8084	2N914	15 VOLT, 150 mA, 360 mWATT, HFe 40/120	N	TO 18	
170.8091	2N918	15 VOLT, 50 mA, 200 mWATT, HFe >20	N	TO 72	
170.8098	2N929	45 VOLT, 30 mA, 300 mWATT, HFe 40/120	N	TO 72	
170.8105	2N930	45 VOLT, 30 mA, 300 mWATT, HFe >100	N	TO 18	
171.0480	2N997	40 VOLT, 300 mA, 500 mWATT, HFe >4000	N		
171.0481	2N1131	35 VOLT, 600 mA, 600 mWATT, HFe 20/45	P	TO 5	
171.0482	2N1132	35 VOLT, 600 mA, 600 mWATT, HFe 30/90	P	TO 5	
170.8112	2N1234	110 VOLT, 100 mA, 400 mWATT, HFe 14/32	P	TO 5	



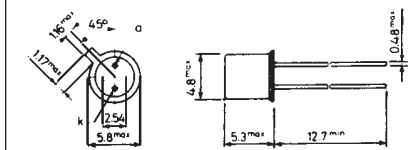
TO-3



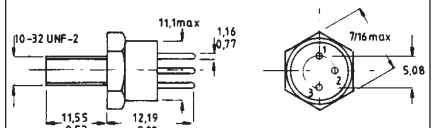
TO-3



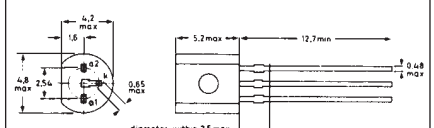
TO-5



TO-18



TO-72

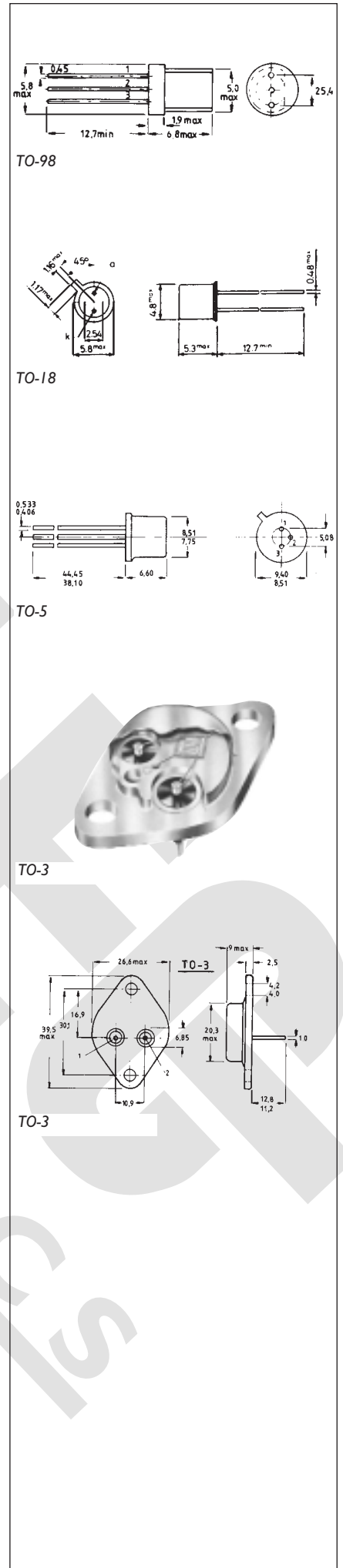


TO-92

Transistoren

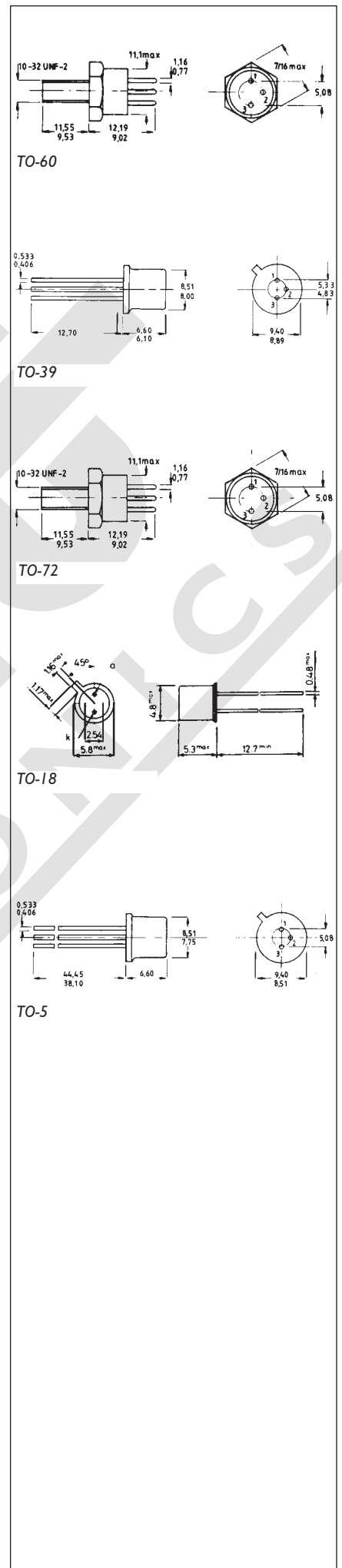
Silicium transistoren (vervolg)

art.nr.	typenr.	omschrijving	S	huis	brutoprijs in fl.
171.0483	2N1304	25 VOLT, 300 mA, 150 mWATT, HFe 40/200	N	TO 5	
171.0484	2N1305	30 VOLT, 300 mA, 150 mWATT, HFe 40/200	P	TO 5	
170.8119	2N1306	25 VOLT, 300 mA, 150 mWATT, HFe 60/300	N	TO 5	
171.0485	2N1307	30 VOLT, 300 mA, 150 mWATT, HFe 60/300	P	TO 5	
171.0486	2N1308	25 VOLT, 300 mA, 150 mWATT, HFe >80	N	TO 5	
171.0487	2N1372	25 VOLT, 200 mA, 250 mWATT, HFe 30/90	P	TO 5	
170.8126	2N1420	60 VOLT, 1 A, 600 mWATT, HFe >100	N	TO 5	
171.0488	2N1559	40 VOLT, 20 A, 105 WATT, HFe 50/100	P	TO 3	
171.0489	2N1564	60 VOLT, 50 mA, 600 mWATT, HFe 20/50	N	TO 5	
171.0490	2N1565	60 VOLT, 50 mA, 600 mWATT, HFe 40/100	N	TO 5	
171.0491	2N1566	60 VOLT, 50 mA, 600 mWATT, HFe 80/200	N	TO 5	
171.0492	2N1574	80 VOLT, 50 mA, 600 mWATT, HFe 80/200	N	TO 5	
171.0493	2N1591	40 VOLT, 25 mA, 125 mWATT, HFe 25/75	N		
171.0494	2N1599	gelijkrichter			
171.0495	2N1605	25 VOLT, 100 mA, 150 mWATT, HFe >40	N	TO 5	
170.8140	2N1613	50 VOLT, 1 mA, 800 mWATT, HFe 40/120	N	TO 5	
170.8147	2N1671	UJT TRANSISTOR	P N	TO 5	
170.8154	2N1711	50 VOLT, 1 A, 800 mWATT, HFe >100	N	TO 5	
171.0498	2N1720	60 VOLT, 1 A, 2 WATT, HFe 40/120	N	TO 5	
170.8161	2N1893	100 VOLT, 500 mA, 800 mW, HFe 40/120	N	TO 5	
171.0496	2N1997	15 VOLT, 500 mA, 250 mWATT, HFe 40/200	P	TO 5	
171.0497	2N2001	15 VOLT, 1 A, 300 mWATT, HFe >60	P	TO 5	
170.8168	2N2102	65 VOLT, 1 A, 1 WATT, HFe 40/120	N	TO 5	
171.0499	2N2193	50 VOLT, 1 A, 800 mWATT, HFe 40/120	N	TO 5	
171.0500	2N2195A	25 VOLT, 1 A, 600 mWATT, HFe 20	N	TO 5	
171.0501	2N2217	60 VOLT, 800 mA, 800 mWATT, HFe 20/60	N	TO 5	
170.8182	2N2218	60 VOLT, 800 mA, 800 mWATT, HFe 40/120	N	TO 5	
170.8189	2N2219	60 VOLT, 800 mA, 800 mWATT, HFe >100	N	TO 5	
170.8196	2N2221	30 VOLT, 800 mA, 500 mWATT, HFe 40/120	N	TO 18	
170.8203	2N2222	60 VOLT, 800 mA, 500 mWATT, HFe >100	N	TO 18	
170.8210	2N2243	120 VOLT, 1 A, 800 mWATT, HFe 40/120	N	TO 5	
171.0502	2N2297	35 VOLT, 1 A, 800 mWATT, HFe 40/120	N	TO 5	
171.0503	2N2303	35 VOLT, 500 mA, 600 mWATT, HFe 75/200	P	TO 5	
171.0504	2N2322	gelijkrichter			
170.8217	2N2368	15 VOLT, 500 mA, 360 mWATT, HFe 40/120	N	TO 18	
170.8224	2N2369	40 VOLT, 500 mA, 360 mWATT, HFe 40/120	N	TO 18	
171.0505	2N2386	20 VOLT, 10 mA, 500 mWATT, HFe >1	P	TO 5	
170.8231	2N2410	30 VOLT, 800 mA, 800 mWATT, HFe >100	N	TO 5	
171.0506	2N2411	20 VOLT, 100 mA, 300 mWATT, HFe 20-60	P	TO 18	
171.0507	2N2412	20 VOLT, 100 mA, 300 mWATT, HFe 40-120	P	TO 18	
171.0511	2N2483	60 VOLT, 50 mA, 360 mWATT, HFe >175	N	TO 18	
170.8238	2N2484	60 VOLT, 50 mA, 360 mWATT, HFe >100	N	TO 18	
171.0508	2N2499	20 VOLT, 10 mA, 500 mWATT, HFe 2-4	P		
171.0509	2N2537	30 VOLT, 800 mA, 800 mWATT, HFe 50-150	N	TO 5	
171.0510	2N2540	30 VOLT, 800 mA, 500 mWATT, HFe 100-300	N	TO 18	
171.0512	2N2639	45 VOLT, 30 mA, 600 mWATT, HFe 50-300	N	TO 77	
170.8245	2N2646	UNI JUNCTION TRANSISTOR	P N	TO 18	
170.8252	2N2647	UNI JUNCTION TRANSISTOR	P N	TO 18	
170.8259	2N2784	15 VOLT, 100 mA, 300 mWATT, HFe 40/120	N	TO 18	
171.0513	2N2846	30 VOLT, 800 mA, 800 mWATT, HFe >100	N	TO 5	
170.8266	2N2894	12 VOLT, 200 mA, 360 mWATT, HFe 30/150	P	TO 18	
170.8273	2N2904	60 VOLT, 600 mA, 600 mWATT, HFe 40/120	P	TO 5	
170.8280	2N2905	60 VOLT, 600 mA, 600 mWATT, HFe >100	P	TO 5	
170.8287	2N2906	60 VOLT, 600 mA, 400 mWATT, HFe 40/120	P	TO 18	
170.8294	2N2907	60 VOLT, 600 mA, 400 mATT, HFe >100	P	TO 18	
171.0514	2N2907A	60 VOLT, 600 mA, 400 mATT, HFe >100	P	TO 18	
171.0515	2N2914	45 VOLT, 30 mA, 600 mATT, HFe 150-600	N	TO 77	
171.0516	2N2918	45 VOLT, 30 mA, 600 mATT, HFe 150-600	N	TO 77	
171.0517	2N2920	60 VOLT, 30 mA, 600 mATT, HFe 150-600	N	TO 77	
171.0518	2N2924	25 VOLT, 100 mA, 360 mATT, HFe 150-300	N	TO 98	
171.0519	2N2925	25 VOLT, 100 mA, 360 mATT, HFe 235-470	N	TO 98	
171.0520	2N2946	35 VOLT, 100 mA, 400 mATT, HFe >30	P	TO 46	
171.0521	2N2988	100 VOLT, 1,5 A, 1 WATT, HFe 25-75	N	TO 5	
171.0522	2N2989	80 VOLT, 1,5 A, 1 WATT, HFe 25-75	N	TO 5	
171.0523	2N2990	100 VOLT, 1,5 A, 1 WATT, HFe 60-120	N	TO 5	
171.0524	2N2994	100 VOLT, 1,5 A, 2 WATT, HFe 60-120	N		
171.0525	2N3011	12 VOLT, 500 mA, 500 mWATT, HFe 30-120	N	TO 18	
171.0526	2N3012	12 VOLT, 200 mA, 360 mWATT, HFe 30-120	P	TO 18	
171.0527	2N3014	20 VOLT, 500 mA, 360 mWATT, HFe 30-120	N		
170.8308	2N3015	60 VOLT, 500 mA, 800 mWATT, HFe 30/120	N	TO 5	
170.8312	2N3019	80 VOLT, 800 mA > 100	N	TO 39	
170.8315	2N3053	40 VOLT, 700 mA, 1 WATT, HFe >50	N	TO 5	
170.8322	2N3054	55 VOLT, 4 A, 25 WATT, HFe 25/100	N	TO 66	
170.8329	2N3055	100 VOLT, 15 A, 115 WATT, HFe 20/70	N	TO 3	



Silicium transistoren (vervolg)

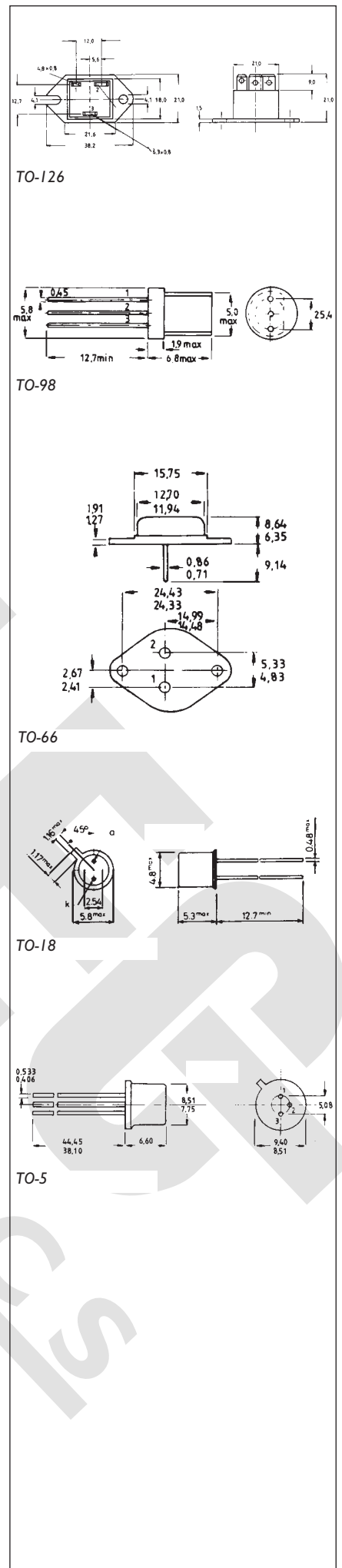
art.nr.	typenr.	omschrijving	S	huis	brutoprijs in fl.
170.8336	2N3055H	100 VOLT, 15 A, 115 WATT, HFe 20/70	N	TO 3	
171.8337	2N3055HRC	60 VOLT, 1 A, 800 mWATT, HFe 100-300	N	TO 5	
171.0528	2N3107	60 VOLT, 1 A, 800 mWATT, HFe 100-300	N	TO 5	
171.0529	2N3137	20 VOLT, 150 mA, 800 mWATT, HFe 20-120	N	TO 5	
171.0530	2N3209	20 VOLT, 200 mA, 360 mWATT, HFe 30-120	P	TO 18	
171.0531	2N3250	40 VOLT, 200 mA, 360 mWATT, HFe 50-150	P	TO 18	
171.0532	2N3251	40 VOLT, 200 mA, 360 mWATT, HFe 100-300	P	TO 18	
171.0533	2N3251A	60 VOLT, 200 mA, 360 mWATT, HFe 100-300	P	TO 18	
171.0534	2N3252	30 VOLT, 1 A, 1 WATT, HFe 30-90	N	TO 5	
171.0535	2N3347	45 VOLT, 30 mA, 600 mWATT, HFe 40-300	P		
171.0536	2N3366	40 VOLT, 10 mA, 300 mWATT, HFe 0,25-1	N		
170.8343	2N3375	65 VOLT, 1,5 mA, 11 WATT, HFe >10	N	TO 60	
170.8350	2N3440	250 VOLT, 1 A, 5 WATT, HFe 40/160	N	TO 5	
170.8357	2N3441	160 VOLT, 3 A, 25 WATT, HFe 40/100	N	TO 66	
170.8364	2N3442	160 VOLT, 10 A, 117 WATT, HFe 20/70	N	TO 3	
171.0537	2N3467	40 VOLT, 1 A, 1 WATT, HFe 40-120	P	TO 5	
171.0538	2N3494	80 VOLT, 100 mA, 150 mWATT, HFe 40-120	P	TO 5	
171.0539	2N3501	150 VOLT, 300 mA, 1 WATT, HFe 100-300	N	TO 5	
171.0540	2N3502	45 VOLT, 600 mA, 700 mWATT, HFe 100-300	P	TO 5	
171.0541	2N3503	60 VOLT, 600 mA, 700 mWATT, HFe 100-300	P	TO 5	
171.0542	2N3504	45 VOLT, 600 mA, 400 mWATT, HFe 100-300	P	TO 5	
171.0543	2N3505	60 VOLT, 600 mA, 400 mWATT, HFe 100-300	P	TO 5	
170.8371	2N3553	40 VOLT, 1 A, 7 WATT, HFe >10	N	TO 39	
171.0544	2N3568	60 VOLT, 500 mA, 300 mWATT, HFe 40-120	N		
171.0545	2N3576	15 VOLT, 200 mA, 360 mWATT, HFe 40-120	P	TO 18	
170.8378	2N3583	250 VOLT, 1 A, 35 WATT, HFe 40/200	N	TO 66	
170.8385	2N3584	375 VOLT, 2 A, 35 WATT, HFe 25/100	N	TO 66	
170.8392	2N3632	40 VOLT, 3 A, 23 WATT, HFe >10	N	TO 60	
171.0546	2N3636	175 VOLT, 1 A, 1 WATT, HFe 50-150	P	TO 5	
170.8306	2N3702	25 VOLT, 200 mA, 360 mWATT, HFe >60	P	TO 92	
170.8309	2N3703	30 VOLT, 200 mA, 360 mWATT	P	TO 92	
170.8412	2N3704	30 VOLT, 800 mA, 360 mWATT, HFe >300	N	TO 92	
170.8421	2N3705	30 VOLT, 800 mA, 360 mWATT, HFe >150	N	TO 92	
170.8428	2N3706	20 VOLT, 800 mA, 360 mWATT, HFe >600	N	TO 92	
171.0548	2N3707	30 VOLT, 200 mA, 360 mWATT, HFe 100-400	N	TO 92	
171.0549	2N3708	30 VOLT, 200 mA, 360 mWATT, HFe 45-660	N	TO 92	
171.0550	2N3709	30 VOLT, 200 mA, 360 mWATT, HFe 45-165	N	TO 92	
170.8435	2N3710	30 VOLT, 30 mA, 360 mWATT	N	TO 92	
171.0551	2N3711	30 VOLT, 200 mA, 360 mWATT, HFe 180=650	N	TO 92	
171.0552	2N3712	150 VOLT, 200 mA, 1 WATT, HFe 30-150	N	TO 5	
170.8470	2N3715	80 VOLT, 10 A, 150 WATT, HFe 50/150	N	TO 3	
171.0553	2N3724	30 VOLT, 500 mA, 800 mWATT, HFe 60-150	N	TO 5	
171.0554	2N3738	225 VOLT, 3 A, 20 WATT, HFe 40-200	N	TO 66	
171.0555	2N3739	300 VOLT, 3 A, 20 WATT, HFe 40-200	N	TO 66	
171.0556	2N3740	60 VOLT, 4 A, 25 WATT, HFe 30-100	P	TO 66	
171.0557	2N3740A	60 VOLT, 4 A, 25 WATT, HFe 30-100	P	TO 66	
171.0558	2N3741	80 VOLT, 4 A, 25 WATT, HFe 30-100	P	TO 66	
171.0559	2N3762	40 VOLT, 1,5 A, 1 WATT, HFe 30-120	P	TO 5	
171.0560	2N3763	60 VOLT, 1,5 A, 1 WATT, HFe 30-120	P	TO 5	
170.8477	2N3771	50 VOLT, 30 A, 150 WAAT, HFe 15/60	N	TO 3	
170.8484	2N3772	100 VOLT, 20 A, 150 WATT, HFe 15/60	N	TO 3	
170.8491	2N3773	160 VOLT, 16 A, 150 WATT, HFe 15/60	N	TO 3	
171.0561	2N3789	60 VOLT, 15 A, 150 WATT, HFe 25-90	P	TO 3	
171.0562	2N3791	60 VOLT, 15 A, 150 WATT, HFe 50-180	P	TO 3	
170.8505	2N3819	N-CHANNEL FET 25 VOLT, 20 mA, 360 mWATT	N	TO 92	
170.8512	2N3820	P-CHANNEL FET 20 VOLT, 15 mA, 360 mWATT	P	TO 92	
170.8519	2N3821	N-CH FET 50 V, 10 mA, 300 mW, 1,5/4,5	N	TO 72	
170.8526	2N3822	N-CH FET 50 V, 10 mA, 300 mW, 3/6 5	N	TO 72	
170.8533	2N3823	N-CH FET 30 V, 20 mA, 300 mW, 3,5/6,5	N	TO 72	
170.8540	2N3824	N-CH FET 50 V, 10 mA, 300 mW, < 250	N	TO 72	
170.8547	2N3866	30 VOLT, 400 mA, 5 WATT, HFe 10/200	N	TO 39	
171.0563	2N3903	40 VOLT, 200 mA, 350 mWATT, HFe 50-150	N	TO 92	
170.8554	2N3904	40 VOLT, 200 mA, 625 mWATT, HFe >100	N	TO 92	
171.0564t	2N3905	40 VOLT, 200 mA, 350 mWATT, HFe 50-150	P	TO 92	
170.8561	2N3906	COMPLEMENTAIR MET 2N3904	P	TO 92	
170.8565	2N3924	18 VOLT, 1,5 mA, 7 WATT	N	TO 39	
170.8568	2N3945	70 VOLT, 1 A, 800 mWATT, HFe 40/250	N	TO 39	
171.0565	2N3955	50 VOLT, 50 mA, 500 mWATT, HFe 1-3	N		
171.0566t	2N3960	12 VOLT, 30 A, 400 mWATT, HFe 40-400	N	TO 18	
171.0567	2N3962	60 VOLT, 200 mA, 360 mWATT, HFe 100-450	P	TO 18	
171.0568	2N3965	60 VOLT, 200 mA, 360 mWATT, HFe 250-600	P	TO 18	
171.0569	2N3971	50 VOLT, 50 mA, 1,8 WATT, >30 ohm	N	TO 18	
171.0570	2N3972	50 VOLT, 50 mA, 1,8 WATT, >100 ohm	N	TO 18	



Transistoren

Silicium transistoren (vervolg)

art.nr.	typenr.	omschrijving	S	huis	brutoprijs in fl.
171.0571	2N3993	25 VOLT, 10 mA, 300 mWATT, HFe 6-12	P		
171.0572	2N4000	80 VOLT, 3 A, 15 WATT, HFe 30-120	N	TO 5	
171.0573	2N4001	100 VOLT, 3 A, 15 WATT, HFe 40-120	N	TO 5	
171.0574	2N4014	50 VOLT, 1 A, 360 mWATT, HFe 60-150	N	TO 18	
171.0575	2N4030	60 VOLT, 1 A, 800 mWATT, HFe 40/120	P	TO 5	
170.8575	2N4031	80 VOLT, 1 A, 800 mWATT, HFe 40/120	P	TO 5	
170.8582	2N4033	80 VOLT, 1 A, 800 mWATT, HFe >100	P	TO 5	
170.8589	2N4036	90 VOLT, 1 A, 7 WATT, HFe 40/140	P	TO 5	
170.8594	2N4037	60 VOLT, 1 A, 7 WATT, HFe >50	P	TO 5	
171.0576	2N4058	30 VOLT, 30 mA, 360 mWATT, HFe 100/550	P	TO 92	
171.0577	2N4059	30 VOLT, 30 mA, 360 mWATT, HFe 45/800	P	TO 92	
171.0578	2N4093	PFET 40 VOLT, 10 mA, 1,8 WATT, <80 ohm	P	TO 18	
170.8601	2N4113	120 VOLT, 5 A, 3 WATT, HFe 40/120	N	TO 3	
171.0579	2N4123	30 VOLT, 200 mA, 350 mWATT, HFe 50-150	N	TO 92	
170.8608	2N4124	30 VOLT, 200 mA, 310 mWATT, HFe >120	N	TO 92	
170.8615	2N4125	30 VOLT, 200 mA, 310 mWATT, HFe 50/150	P	TO 92	
170.8618	2N4126	25 VOLT, 200 mA, 625 mWATT,	P	TO 92	
171.0580	2N4220	30 VOLT, 10 mA, 300 mWATT, HFe 1-4	N		
171.0581	2N4221	30 VOLT, 10 mA, 300 mWATT, HFe 2-5	N		
170.8620	2N4240	500 VOLT, 2 A, 35 WATT	N	TO 66	
171.0582	2N4243	60 VOLT, 10 A, 106 WATT, HFe 40-80	P	TO 3	
171.0583	2N4258	12 VOLT, 50 mA, 200 mWATT, HFe 30-120	P		
171.0584	2N4302	30 VOLT, 10 mA, 300 mWATT, HFe >1	N		
171.0585	2N4339	FET 50 VOLT, 50 mA, 300 mWATT, HFe 0,8-2,4	N	TO 18	
171.0586	2N4342	FET 25 VOLT, 50 mA, 200 mWATT, HFe 4-8	P		
170.8622	2N4347	140 VOLT, 5 A, 100 WATT, HFe 20/70	N	TO 3	
170.8629	2N4348	140 VOLT, 10 A, 120 WATT, HFe 15/60	N	TO 3	
171.0587	2N4355	60 VOLT, 500 mA, 350 mWATT, HFe >100-400	P		
170.8636	2N4391	N-CH FET, 40 VOLT, 50 mA, 1,8 WATT	N	TO 18	
170.8643	2N4392	N-CH FET, 40 VOLT, 50 mA, 1,8 WATT	N	TO 18	
170.8650	2N4393	N-CH FET, 40 VOLT, 50 mA, 1,8 WATT	N	TO 18	
170.8657	2N4400	60 VOLT, 600 mA, 310 mWATT, HFe 50/150	N	TO 92	
170.8664	2N4401	60 VOLT, 600 mA, 310 mWATT, HFe >100	N	TO 92	
170.8671	2N4402	40 VOLT, 625 mA, 625 mWATT, HFe 50/150	P	TO 92	
171.0588	2N4403	40 VOLT, 625 mA, 625 mWATT, HFe 100/300	P	TO 92	
171.0589	2N4404	80 VOLT, 1 A, 1,25 WATT, HFe 40/120	P	TO 5	
171.0590	2N4410	80 VOLT, 250 mA, 350 mWATT, HFe 60/400	N		
170.8678	2N4416	30 VOLT, 10 mA, 300 mWATT, HFe >7,5	N	TO 72	
171.0591	2N4416A	35 VOLT, 10 mA, 300 mWATT, HFe >7,5	N	TO 72	
171.0592	2N4423	12 VOLT, 200 mA, 360 mWATT, HFe 30-120	N		
170.8685	2N4427	20 VOLT, 400 mA, 3,5 WATT, HFe 10/200	N	TO 39	
171.0593	2N4856	FET 40 VOLT, 50 mA, 360 mWATT, <25ohm	N	TO 18	
171.0594	2N4857	FET 40 VOLT, 50 mA, 360 mWATT, <40ohm	N	TO 18	
170.8699	2N4871	UJT TRANSISTOR	P N	TO 92	
171.0595	2N4890	40 VOLT, 500 mA, 1 WATT, HFe 50-125	P	TO 5	
170.9706	2N4898	40 VOLT, 4 A, 25 WATT, HFe 20/100	P	TO 66	
171.0596	2N4910	40 VOLT, 4 A, 25 WATT, HFe 20-100	N		
171.0597	2N4917	30 VOLT, 100 mA, 200 mWATT, HFe 150-300	P		
171.0598	2N4918	40 VOLT, 3 A, 30 WATT, HFe 20-100	P	TO 126	
171.0599	2N4920	80 VOLT, 3 A, 30 WATT, HFe 20-100	P	TO 126	
171.0600	2N4921	40 VOLT, 3 A, 30 WATT, HFe 40-100	N	TO 126	
171.0601	2N4924	100 VOLT, 200 mA, 1 WATT, HFe 40-200	N	TO 5	
171.0602	2N4996	18 VOLT, 50 mA, 250 mWATT, HFe >50	N		
171.0603	2N5034	service transistor			
171.0604	2N5039	75 VOLT, 30 A, 140 WATT, HFe 30-150	N	TO 3	
171.0605	2N5142	20 VOLT, 500 mA, 300 mWATT, HFe >30	P		
171.0606	2N5148	80 VOLT, 5 A, 6 WATT, HFe 30-90	P	TO 5	
171.0607	2N5153	80 VOLT, 10 A, 10 WATT, HFe 70-200	P	TO 5	
171.0608	2N5154	80 VOLT, 10 A, 10 WATT, HFe 70-200	N	TO 5	
170.8713	2N5172	25 VOLT, 100 mA, 200 mWATT, HFe >100	N	TO 98	
170.8720	2N5179	12 VOLT, 50 mA, 200 mWATT, HFe 25/250	N	TO 72	
171.0609	2N5191	60 VOLT, 4 A, 40 WATT, HFe 25-100	N	TO 126	
170.8724	2N5192	80 VOLT, 4 A, 40 WATT	N	TO 126	
171.0610	2N5194	60 VOLT, 4 A, 40 WATT, HFe 25-100	P	TO 126	
171.0611	2N5195	80 VOLT, 4 A, 40 WATT, HFe 20-80	P	TO 126	
171.0612	2N5293	70 VOLT, 4 A, 36 WATT, HFe 30-120	N		
170.8727	2N5296	60 VOLT, 4 A, 36 WATT, HFe 30/120	N	TOP 66	
171.0613	2N5306	25 VOLT, 500 mA, 400 mWATT, HFe >20k	N		
170.8734	2N5322	75 VOLT, 2 A, 1 WATT, HFe 30/130	P	TO 39	
171.0614	2N5323	60 VOLT, 2 A, 1 WATT, HFe 30/130	P	TO 39	
171.0615	2N5416	300 VOLT, 1 A, 10 WATT, HFe 30/130	P	TO 5	
171.0616	2N5447	25 VOLT, 200 mA, 625 mWATT, HFe 60/300	P		
171.0617	2N5448	30 VOLT, 200 mA, 625 mWATT, HFe 60/300	P		

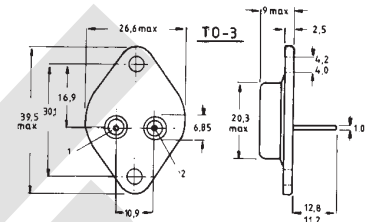


Silicium transistoren (vervolg)

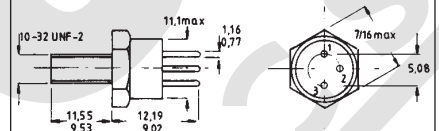
art.nr.	typenr.	omschrijving	S	huis	brutoprijs in fl.
171.0618	2N5451	20 VOLT, 800 mA, 625 mWATT, HFe 30/600	N		
170.8755	2N5457	J-FET, 25 VOLT, 5 mA, 310 mWATT	N	TO 72	
170.8756	2N5458	J-FET, 25 VOLT, 9 mA, 310 mWATT	N	TO 92	
170.8757	2N5459	J-FET, 25 VOLT, 16 mA, 310 mWATT	N	TO 92	
170.8762	2N5460	J-FET, 40 VOLT, 5 mA, 310 mWATT	P	TO 92	
170.8763	2N5461	J-FET, 40 VOLT, 9 mA, 310 mWATT	P	TO 92	
171.0620	2N5496	70 VOLT, 7 A, 50 WATT, HFe 20/100	N		
170.8770	2N5551	160 VOLT, 600 mA, 350 mWATT	N	TO 92	
170.8771	2N5590	18 VOLT, 2 A, 30 WATT	N	speciaal	
171.0622	2N5857	80 VOLT, 1 A, 750 mWATT, HFe 50/300	P		
171.0623	2N5871	60 VOLT, 15 A, 115 WATT, HFe 20/100	N	TO 3	
171.0624	2N5879	60 VOLT, 30 A, 160 WATT, HFe 20/100	P	TO 3	
171.0625	2N5885	60 VOLT, 50 A, 200 WATT, HFe 20/100	N	TO 3	
171.0626	2N5905	FET 40 VOLT, 10 mA, 500 mWATT, HFe 0,05-0,15	N		
170.8772	2N5946	16 VOLT, 2 A, 10 WATT	N	speciaal	
171.0627	2N5952	FET 30 VOLT, 10 mA, 360 mWATT, HFe 2-6,5	N		
171.0628	2N5986	60 VOLT, 20 A, 100 WATT, HFe 20/120	P		
170.8776	2N6027	PROGR. UNI JUNCTION	P N	R-210	
171.0629	2N6029	100 VOLT, 20 A, 200 WATT, HFe 25-100	P	TO 3	
170.8778	2N6030	120 VOLT, 16 A, 200 WATT	P	TO 3	
170.8779	2N6037	40 VOLT, 4 A, 40 WATT	N	TO 126	
171.0630	2N6049	55 VOLT, 10 A, 75 mWATT, HFe 25-100	P		
171.0631	2N6051	80 VOLT, 20 A, 150 WATT, HFe >750	P	TO 3	
171.0532	2N6059	100 VOLT, 20 A, 150 WATT, HFe >750	N	TO 3	
171.0533	2N6071	gelijkricht component			
171.0534	2N6072	gelijkricht component			
171.0535	2N6079	350 VOLT, 10 A, 45 WATT, HFe 12-50	N		
170.8783	2N6081	36 VOLT, 2500 mA, 31 WATT, HFe >5	N	X 28	
170.8797	2N6083	36 VOLT, 4 A, 5 WATT, HFe >5	N	X 28	
170.8804	2N6084	36 VOLT, 6 A, 75 WATT, HFe >5	N	X 28	
171.0636	2N6099	60 VOLT, 10 A, 75 WATT, HFe 20-80	N		
171.0637	2N6102	40 VOLT, 16 A, 75 WATT, HFe 15-60	N		
171.0638	2N6109	50 VOLT, 7 A, 40 WATT, HFe 30-150	P	TOP 66	
171.0639	2N6111	30 VOLT, 7 A, 40 WATT, HFe 30-150	P	TOP 66	
171.0640	2N6114	unijunction transistor			
171.0641	2N6123	80 VOLT, 4 A, 40 WATT, HFe 30/80	N	TOP 66	
171.0642	2N6126	80 VOLT, 4 A, 40 WATT, HFe 20/80	P	TOP 66	
171.0645	2N6155	gelijkricht component			
171.0646	2N6175	250 VOLT, 1 A, 20 WATT, HFe 30/190	N		
171.0647	2N6179	50 VOLT, 2 A, 25 mWATT, HFe 40/250	N		
171.0644	2N6181	50 VOLT, 2 A, 25 mWATT, HFe 40/250	P		
171.0643	2N6212	300 VOLT, 2 A, 35 mWATT, HFe 10/100	P		
171.0648	2N6227	120 VOLT, 10 A, 150 WATT, HFe 20/80	P	TO 3	
170.8811	2N6247	90 VOLT, 15 A, 125 WATT, HFe 20/100	P	TO 3	
170.8815	2N6284	100 VOLT, 20 A, 160 WATT	P	TO 3	
170.8816	2N6285	60 VOLT, 20 A, 160 WATT	N	TO 3	
170.8818	2N6287	100 VOLT, 20 A, 160 WATT	N	TO 3	
171.0649	2N6290	50 VOLT, 7 A, 40 WATT, HFe 30/150	N	TOP 66	
170.8822	2N6331	100 VOLT, 30 A, 200 WATT	P	TO 3	
171.0650	2N6341	150 VOLT, 50 A, 200 WATT, HFe 30/120	N	TO 3	
171.0651	2N6343A	gelijkricht component			
171.0652	2N6373	60 VOLT, 6 A, 40 WATT, HFe 20/100	N		
171.0653	2N6385	80 VOLT, 15 A, 100 WATT, HFe 1k-20k	N	TO 3	
171.0654	2N6387	60 VOLT, 15 A, 65 WATT, HFe >1000	N	TO 220	
170.8826	2N6388	80 VOLT, 10 A, 65 WATT	N	TO 220	
171.0712	2N6399	gelijkricht component			
171.0655	2N6399A	gelijkricht component			
171.0656	2N6427	40 VOLT, 500 mA, 625 mWATT, HFe 20k/200k	N		
170.8830	2N6546	300 VOLT, 15 A, 175 WATT	N	TO 3	
171.0657	2N6576	60 VOLT, 30 A, 120 WATT, HFe 2k-20k	N	TO 3	
170.8832	2N6660	M FET 60 VOLT, 2 A, 8,3 WATT	N	TO 39	
171.0658	2N6661	M FET 90 VOLT, 2 A, 8,3 WATT	N	TO 39	
171.0659	2N6666	service thyristor			
171.0660	2N6784	service component			
171.0661	2N7056	service component			
171.0662	2N7837	service component			
171.0677	3N 40	service component			
171.0678	3N 83	service component			
171.0679	3N 128	N-CHANNEL MOSFET INSUL. GATE	N		
170.8846	3N 138	N-CHANNEL MOSFET INSUL. GATE	N	TO 72	
171.0680	3N 141	service component			
170.8853	3N 187	N FET DUAL INSUL. GATE, 300 MHZ	N	TO 72	
171.0681	3N 200	service component			



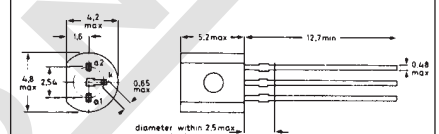
TO-3



TO-3



TO-72



TO-92

Transistoren

Silicium transistoren (vervolg)

art.nr.	typenr.	omschrijving	S	huis	brutoprijs in fl.
170.8860	3N 211	MOSFET N-CH 35 VOLT, 40 mA, 360 mWATT	N	TO 72	
171.0663	2S 018	service component			
171.0664	2S 102	service component			
171.0665	2S 103	service component			
171.0666	2S 104	service component			
171.0667	2S 302	service component			
171.0668	2S 305	service component			
171.0669	2S 501	service component			
171.0670	2S 512	service component			
171.0671	2S 731	service component			
171.0672	2S 732	service component			
171.0673	2S 742A	service component			
171.0674	2S 745A	service component			
171.0675	2S 746A	service component			
171.0676	2S 3020	service component			
171.0682	15N 06	service component			
171.0683	20N 50	service component			
171.0684	25N 06	service component			
171.0685	1208 N2	service component			
171.0686	16DR 10	service component			
171.0687	16008V RCA	service component			
171.0688	16018V RCA	service component			
171.0689	RCA 16335	service component			
171.0690	RCA 16563	service component			
171.0691	RCA 17375	service component			
171.0692	7273	service component			
171.0693	40233	18 VOLT, 100 mA, 500 mWATT, HFe 90-300	N		
171.0695	40311	30 VOLT, 700 mA, 5 WATT, HFe 70-350	N	TO 5	
171.0696	40312	60 VOLT, 4 A, 29 WATT, HFe 20-120	N	TO 66	
171.0697	40314	40 VOLT, 700 mA, 5 WATT, HFe 70-350	N	TO 5	
171.0698	40316	40 VOLT, 4 A, 29 WATT, HFe 20-120	N	TO 66	
171.0699	40317	40 VOLT, 700 mA, 5 WATT, HFe 40-200	N	TO 5	
171.0700	40319	40 VOLT, 700 mA, 5 WATT, HFe 50	P	TO 5	
171.0701	40322	300 VOLT, 2 A, 35 WATT, HFe 75	N	TO 66	
171.0703	40360	70 VOLT, 700 mA, 5 WATT, HFe 50-200	N	TO 5	
170.8874	40361	70 VOLT, 700 mA, 1 WATT, HFe 75/350	N	TO 5	
171.0704	40632	60 VOLT, 6 A, 50 WATT, HFe 20-70	N	TO 5	
171.0705	40363	70 VOLT, 15 A, 115 WATT, HFe 20-70	N	TO 3	
171.0706	40407	50 VOLT, 700 mA, 1 WATT, HFe 40-200	N	TO 5	
171.0702	40408	90 VOLT, 700 mA, 1 WATT, HFe 40-200	N	TO 5	
170.8895	40409	90 VOLT, 700 mA, 3 WATT, HFe 50/250	N	F 31	
170.8902	40410	90 VOLT, 700 mA, 3 WATT, HFe 50/250	P	F 31	
170.8909	40411	90 VOLT, 30 A, 150 WATT, HFe 35/100	N	TO 3	
171.0707	40594	95 VOLT, 2 A, 10 WATT, HFe 70-350	N	TO 5	
171.0708	40595	95 VOLT, 2 A, 10 WATT, HFe 70-350	P	TO 5	
171.0709	40602	service component			
170.8916	40673	N FET DUAL INSULT. GATE, 400 MHZ	N	TO 72	
171.0710	40871	100 VOLT, 7 A, 40 WATT, HFe 50-250	N	TOP 66	
171.0711	45192	80 VOLT, 7 A, 40 WATT, HFe 20-80	N	TOP 66	

