



## Low Noise, 32 Taps

# X9316

## Digitally-Controlled (XDCP™) Potentiometer

### FEATURES

- **Solid-State Potentiometer**
- **Three-Wire Serial Interface**
- **Low Noise**
- **32 Wiper Tap Points**
  - Wiper position stored in nonvolatile memory and recalled on power-up
- **31 Resistive Elements**
  - Temperature compensated
  - End to end resistance range  $\pm 20\%$
  - Terminal voltages, -5V to +5V
- **Low Power CMOS**
  - $V_{CC} = 5V$
  - Active current, 3mA max.
  - Standby current, 1 $\mu$ A max.
- **High Reliability**
  - Endurance, 100,000 data changes per bit
  - Register data retention, 100 years
- **$R_{TOTAL}$  Values = 1K $\Omega$ , and 10K $\Omega$**
- **Packages**
  - 14-lead SOIC and DIP

### DESCRIPTION

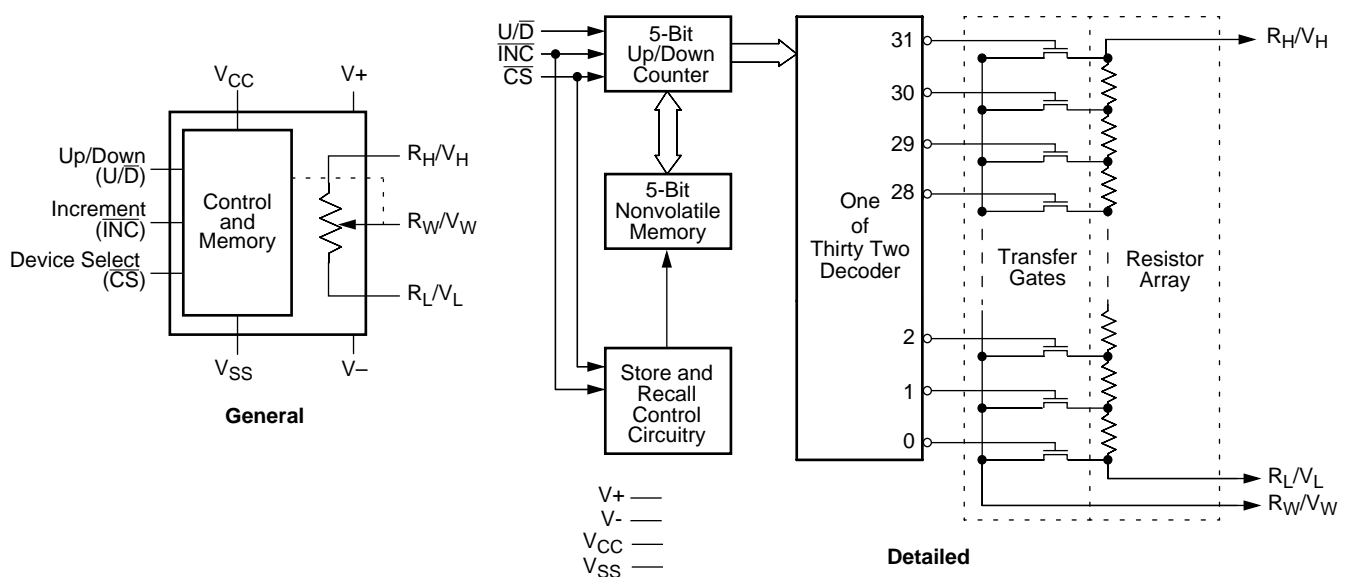
The Xicor X9316 is a digitally-controlled (XDCP) potentiometer. The device consists of a resistor array, wiper switches, a control section, and nonvolatile memory. The wiper position is controlled by a three-wire interface.

The potentiometer is implemented by a resistor array composed of 31 resistive elements and a wiper switching network. Between each element and at either end are tap points accessible to the wiper terminal. The position of the wiper element is controlled by the  $\overline{CS}$ ,  $\overline{U/D}$ , and  $\overline{INC}$  inputs. The position of the wiper can be stored in nonvolatile memory and then be recalled upon a subsequent power-up operation.

The device can be used as a three-terminal potentiometer or as a two-terminal variable resistor in a wide variety of applications including:

- control
- parameter adjustments
- signal processing

### BLOCK DIAGRAM



# X9316

## PIN DESCRIPTIONS

### $R_H/V_H$ and $R_L/V_L$

The high ( $R_H/V_H$ ) and low ( $R_L/V_L$ ) terminals of the X9316 are equivalent to the fixed terminals of a mechanical potentiometer. The minimum voltage is  $V_-$  and the maximum is  $V_+$ . The terminology of  $R_L/V_L$  and  $R_H/V_H$  references the relative position of the terminal in relation to wiper movement direction selected by the  $U/\bar{D}$  input and not the voltage potential on the terminal.

### $R_W/V_W$

$R_W/V_W$  is the wiper terminal and is equivalent to the movable terminal of a mechanical potentiometer. The position of the wiper within the array is determined by the control inputs. The wiper terminal series resistance is typically 100Ω.

### Up/Down ( $U/\bar{D}$ )

The  $U/\bar{D}$  input controls the direction of the wiper movement and whether the counter is incremented or decremented.

### Increment ( $\bar{INC}$ )

The  $\bar{INC}$  input is negative-edge triggered. Toggling  $\bar{INC}$  will move the wiper and either increment or decrement the counter in the direction indicated by the logic level on the  $U/\bar{D}$  input.

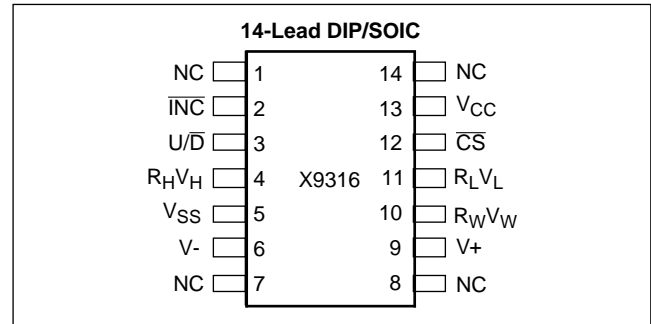
### Chip Select ( $\bar{CS}$ )

The device is selected when the  $\bar{CS}$  input is LOW. The current counter value is stored in nonvolatile memory when  $\bar{CS}$  is returned HIGH while the  $\bar{INC}$  input is also HIGH. After the store operation is complete the X9316 will be placed in the low power standby mode until the device is selected once again.

## $V_+$ , $V_-$ (Analog positive/negative power supply)

$V_+$  and  $V_-$  are the analog supply voltages for the XDCP.

## PIN CONFIGURATION



## PIN NAMES

Symbol	Description
$R_H/V_H$	High Terminal
$R_W/V_W$	Wiper Terminal
$R_L/V_L$	Low Terminal
$V_{SS}$	Ground
$V_{CC}$	Digital Supply Voltage
$U/\bar{D}$	Up/Down Control Input
$\bar{INC}$	Increment Control Input
$\bar{CS}$	Chip Select Control Input
$V_+$	Positive Analog Voltage
$V_-$	Negative Analog Voltage
NC	No Connection

# X9316

## PRINCIPLES OF OPERATION

There are three sections of the X9316: the input control, counter and decode section; the nonvolatile memory; and the resistor array. The input control section operates just like an up/down counter. The output of this counter is decoded to turn on a single electronic switch connecting a point on the resistor array to the wiper output. Under the proper conditions the contents of the counter can be stored in nonvolatile memory and retained for future use. The resistor array is comprised of 31 individual resistors connected in series. At either end of the array and between each resistor is an electronic switch that transfers the connection at that point to the wiper.

The wiper, when at either fixed terminal, does not move beyond the last position. That is, the counter does not wrap around when clocked to either extreme.

The electronic switches on the device operate in a "make before break" mode when the wiper changes tap positions. If the wiper is moved several positions, multiple taps are connected to the wiper for  $t_{1W}$  (INC to  $V_W$  change). The  $R_{TOTAL}$  value for the device can temporarily be reduced by a significant amount if the wiper is moved several positions.

When the device is powered-down, the last wiper position stored will be maintained in the nonvolatile memory. When power is restored, the contents of the memory are recalled and the wiper is set to the value last stored.

## Instructions and Programming

The  $\overline{INC}$ ,  $U/\overline{D}$  and  $\overline{CS}$  inputs control the movement of the wiper along the resistor array. With  $\overline{CS}$  set LOW the device is selected and enabled to respond to the  $U/\overline{D}$  and  $\overline{INC}$  inputs. HIGH to LOW transitions on  $\overline{INC}$  will increment or decrement (depending on the state of the  $U/\overline{D}$  input) a seven bit counter. The output of this counter is decoded to select one of thirty two wiper positions along the resistive array.

The value of the counter is stored in nonvolatile memory whenever  $\overline{CS}$  transitions HIGH while the  $\overline{INC}$  input is also HIGH.

The system may select the X9316, move the wiper and deselect the device without having to store the latest wiper position in nonvolatile memory. After the wiper movement is performed as described above and once the new position is reached, the system must keep  $\overline{INC}$  LOW while taking  $\overline{CS}$  HIGH. The new wiper position will be maintained until changed by the system or until a power-up/down cycle recalled the previously stored data.

This procedure allows the system to always power-up to a preset value stored in nonvolatile memory; then during system operation minor adjustments could be made. The adjustments might be based on user preference, system parameter changes due to temperature drift, etc...

The state of  $U/\overline{D}$  may be changed while  $\overline{CS}$  remains LOW. This allows the host system to enable the device and then move the wiper up and down until the proper trim is attained.

## MODE SELECTION

$\overline{CS}$	$\overline{INC}$	$U/\overline{D}$	Mode
L		H	Wiper Up
L		L	Wiper Down
	H	X	Store Wiper Position
H	X	X	Standby Current
	L	X	No Store, Return to Standby

## SYMBOL TABLE

WAVEFORM	INPUTS	OUTPUTS
	Must be steady	Will be steady
	May change from Low to High	Will change from Low to High
	May change from High to Low	Will change from High to Low
	Don't Care: Changes Allowed	Changing: State Not Known
	N/A	Center Line is High Impedance

# X9316

## ABSOLUTE MAXIMUM RATINGS

Temperature under bias .....-65°C to +135°C  
 Storage temperature .....-65°C to +150°C  
 Voltage on  $\overline{CS}$ ,  $\overline{INC}$ ,  $U/\overline{D}$ ,  $V_H$ ,  $V_L$  and  
 $V_{CC}$  with respect to  $V_{SS}$  ..... -1V to +7V  
 $\Delta V = |V_H - V_L|$   
 X9316W ..... 10V  
 Lead temperature (soldering 10 seconds).....300°C  
 $I_W$  (10 seconds) .....  $\pm 8.8$ mA

## COMMENT

Stresses above those listed under “Absolute Maximum Ratings” may cause permanent damage to the device. This is a stress rating only and the functional operation of the device at these or any other conditions above those listed in the operational sections of this specification is not implied. Exposure to absolute maximum rating conditions for extended periods may affect device reliability.

## RECOMMENDED OPERATING CONDITIONS

Temperature	Min.	Max.
Commercial	0°C	+70°C
Industrial	-40°C	+85°C

Supply Voltage ( $V_{CC}$ )	Limits
X9316	5V $\pm 10\%$
X9316-2.7	2.7V to 5.5V

## POTENTIOMETER CHARACTERISTICS (Over recommended operating conditions unless otherwise stated.)

Symbol	Parameter	Limits				Test Conditions/Notes
		Min.	Typ.	Max.	Units	
	End to End Resistance Tolerance			$\pm 20$	%	
$V_{VH}$	$V_H$ Terminal Voltage	V-		V+	V	
$V_{VL}$	$V_L$ Terminal Voltage	V-		V+	V	
V+	Analog Positive Power Supply	4.5		5.5	V	
V-	Analog Negative Power Supply	-4.5		-5.5	V	
	Power Rating			10	mW	$R_{TOTAL} = 10\text{ K}\Omega$
	Power Rating			16	mW	$R_{TOTAL} = 1\text{ K}\Omega$
$R_W$	Wiper Resistance		100		$\Omega$	$I_W = 1\text{ mA}$ , $V_{CC} = 5\text{ V}$
$I_W$	Wiper Current			4.4	mA	
	Noise		-120		dBV	Ref: 1kHz
	Resolution		3		%	
	Absolute Linearity <sup>(1)</sup>			$\pm 1$	MI <sup>(3)</sup>	$R_{W(n)(actual)} - R_{W(n)(expected)}$
	Relative Linearity <sup>(2)</sup>			$\pm 0.2$	MI <sup>(3)</sup>	$R_{W(n+1)} - [R_{W(n)} + MI]$
	$R_{TOTAL}$ Temperature Coefficient		$\pm 300$		ppm/°C	
	Ratiometric Temperature Coefficient			$\pm 20$	ppm/°C	
$C_H/C_L/C_W$	Potentiometer Capacitances		10/10/25		pF	See circuit #3

- Notes:** (1) Absolute Linearity is utilized to determine actual wiper voltage versus expected voltage =  $(V_{W(n)(actual)} - V_{W(n)(expected)}) = \pm 1$  MI Maximum.  
 (2) Relative Linearity is a measure of the error in step size between taps =  $R_{W(n+1)} - [R_{W(n)} + MI] = \pm 0.2$  MI.  
 (3) 1 MI = Minimum Increment =  $R_{TOT}/31$ .

# X9316

## D.C. OPERATING CHARACTERISTICS (Over recommended operating conditions unless otherwise specified.)

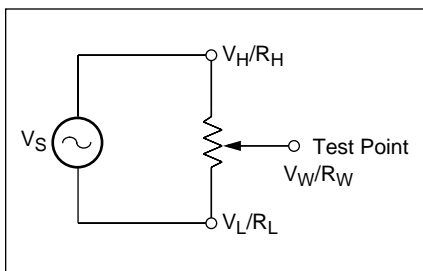
Symbol	Parameter	Limits			Units	Test Conditions
		Min.	Typ.(4)	Max.		
$I_{CC}$	$V_{CC}$ Active Current		1	3	mA	$\overline{CS} = V_{IL}$ , $U/\overline{D} = V_{IL}$ or $V_{IH}$ and $\overline{INC} = 0.4V/2.4V$ @ max. $t_{CYC}$
$I_{SB}$	Standby Supply Current			1	$\mu A$	$\overline{CS} = V_{CC} - 0.3V$ , $U/\overline{D}$ and $\overline{INC} = V_{SS}$ or $V_{CC} - 0.3V$
$I_{V+}^{(5)}$	$V^+$ Supply Current			1	mA	$\overline{CS} = V_{IL}$ , $U/\overline{D} = V_{IL}$ or $V_{IH}$ and $\overline{INC} = 0.4V/2.4V$ @ max. $t_{CYC}$
$I_{V-}^{(5)}$	$V^-$ Supply Current			1	mA	$\overline{CS} = V_{IL}$ , $U/\overline{D} = V_{IL}$ or $V_{IH}$ and $\overline{INC} = 0.4V/2.4V$ @ max. $t_{CYC}$
$I_{LI}$	$\overline{CS}$ , $\overline{INC}$ , $U/\overline{D}$ Input Leakage Current			$\pm 10$	$\mu A$	$V_{IN} = V_{SS}$ to $V_{CC}$
$V_{IH}$	$\overline{CS}$ , $\overline{INC}$ , $U/\overline{D}$ Input HIGH Voltage	2		$V_{CC} + 1$	V	
$V_{IL}$	$\overline{CS}$ , $\overline{INC}$ , $U/\overline{D}$ Input LOW Voltage	-1		0.8	V	
$C_{IN}^{(5)}$	$\overline{CS}$ , $\overline{INC}$ , $U/\overline{D}$ Input Capacitance			10	pF	$V_{CC} = 5V$ , $V_{IN} = V_{SS}$ , $T_A = 25^\circ C$ , $f = 1MHz$

## ENDURANCE AND DATA RETENTION

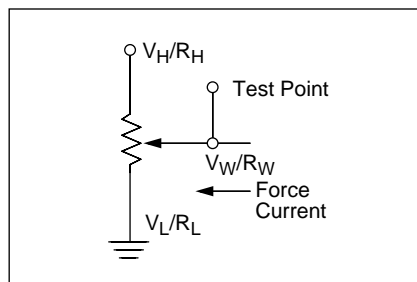
Parameter	Min.	Units
Minimum Endurance	100,000	Data Changes per Bit
Data Retention	100	Years

**Notes:** (4) Typical values are for  $T_A = 25^\circ C$  and nominal supply voltage.  
 (5) This parameter is periodically sampled and not 100% tested.

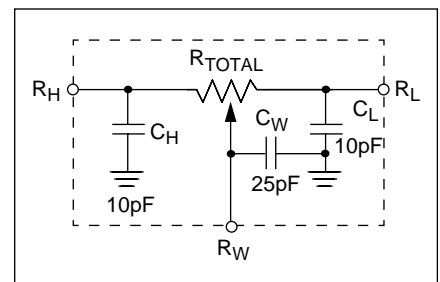
**Test Circuit #1**



**Test Circuit #2**



**Circuit #3 SPICE Macromodel**



# X9316

## A.C. CONDITIONS OF TEST

Input pulse levels	0V to 3V
Input rise and fall times	10ns
Input reference levels	1.5V

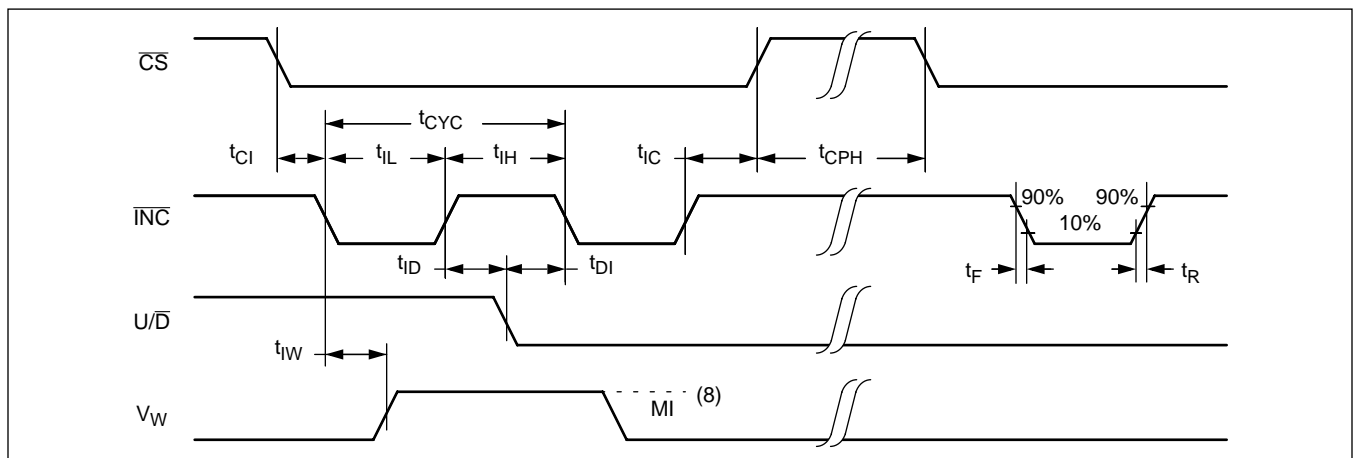
## A.C. OPERATING CHARACTERISTICS (Over recommended operating conditions unless otherwise specified)

Symbol	Parameter	Limits			Units
		Min.	Typ. <sup>(6)</sup>	Max.	
$t_{CI}$	$\overline{CS}$ to $\overline{INC}$ Setup	100			ns
$t_{ID}$	$\overline{INC}$ HIGH to $U/\overline{D}$ Change	100			ns
$t_{DI}$	$U/\overline{D}$ to $\overline{INC}$ Setup	2.9			$\mu$ s
$t_{IL}$	$\overline{INC}$ LOW Period	1			$\mu$ s
$t_{IH}$	$\overline{INC}$ HIGH Period	1			$\mu$ s
$t_{IC}$	$\overline{INC}$ Inactive to $\overline{CS}$ Inactive	1			$\mu$ s
$t_{CPH}$	$\overline{CS}$ Deselect Time (NO STORE)	100			ns
$t_{CPH}$	$\overline{CS}$ Deselect Time (STORE)	10			ms
$t_{IW}$	$\overline{INC}$ to $V_w$ Change		1	5	$\mu$ s
$t_{CYC}$	$\overline{INC}$ Cycle Time	4			$\mu$ s
$t_R, t_F^{(7)}$	$\overline{INC}$ Input Rise and Fall Time			500	$\mu$ s
$t_{PU}^{(7)}$	Power up to Wiper Stable			5	$\mu$ s
$t_R V_{CC}^{(7)}$	$V_{CC}$ Power-up Rate	0.2		50	V/ms
$t_{WR}$	Store Cycle		5	10	ms

## POWER UP AND DOWN REQUIREMENTS

There are no restrictions on the sequencing of bias supplies  $V_{CC}$ ,  $V_+$ , and  $V_-$  provided that all three supplies reach their final values within 1msec of each other. At all times, voltages on the potentiometer pins must be less than  $V_+$  and more than  $V_-$ . The recall of the wiper position from nonvolatile memory is not in effect until all supplies reach their final value. The  $V_{CC}$  ramp rate spec is always in effect.

## A.C. TIMING



**Notes:** (6) Typical values are for  $T_A = 25^\circ\text{C}$  and nominal supply voltage.

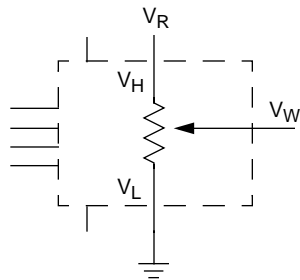
(7) This parameter is sample tested.

(8) MI in the A.C. timing diagram refers to the minimum incremental change in the  $V_w$  output due to a change in the wiper position.

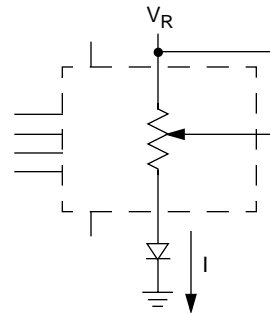
**APPLICATIONS INFORMATION**

Electronic digitally-controlled (XDCP) potentiometers provide three powerful application advantages; (1) the variability and reliability of a solid-state potentiometer, (2) the flexibility of computer-based digital controls, and (3) the retentivity of nonvolatile memory used for the storage of multiple potentiometer settings or data.

**Basic Configurations of Electronic Potentiometers**



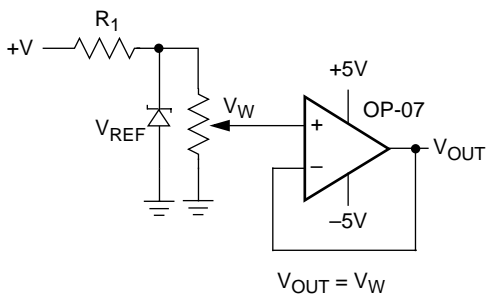
Three terminal potentiometer; variable voltage divider



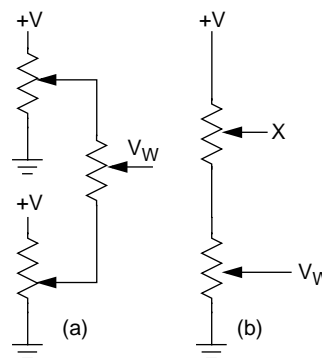
Two terminal variable resistor; variable current

**Basic Circuits**

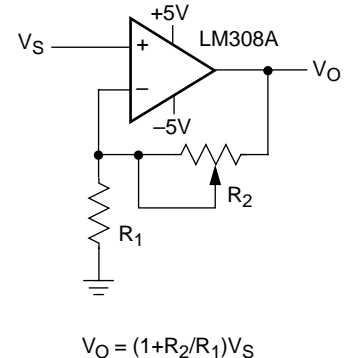
**Buffered Reference Voltage**



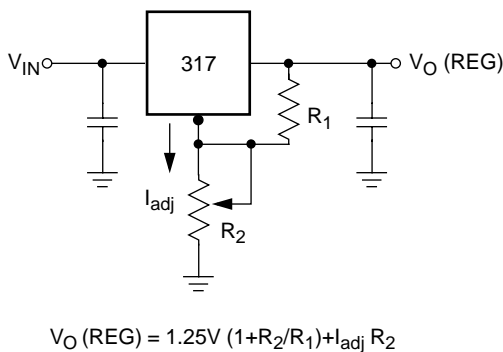
**Cascading Techniques**



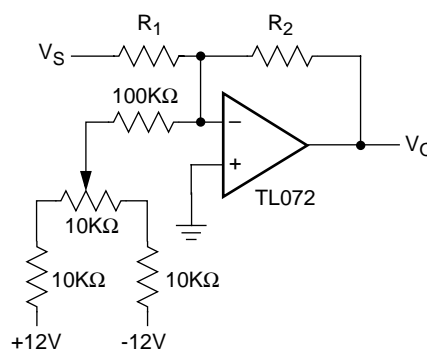
**Noninverting Amplifier**



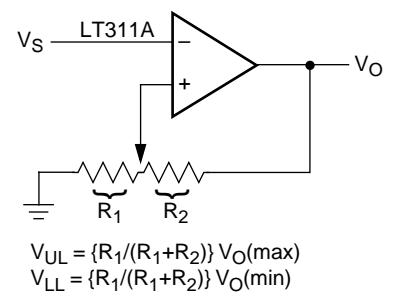
**Voltage Regulator**



**Offset Voltage Adjustment**



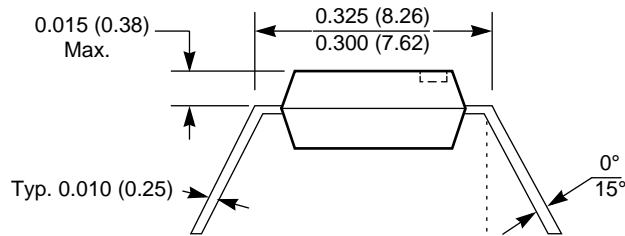
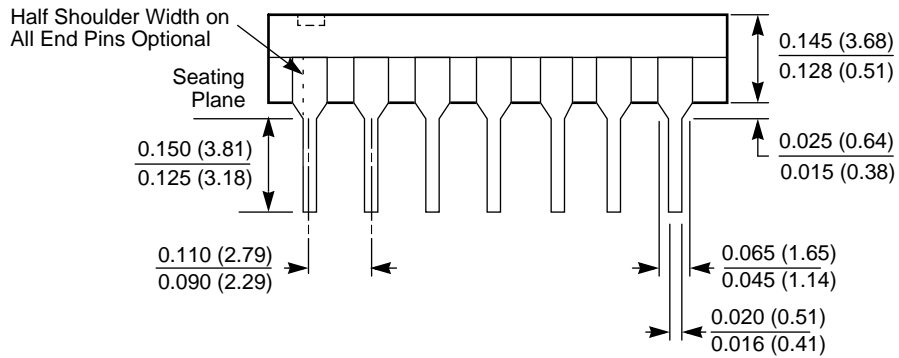
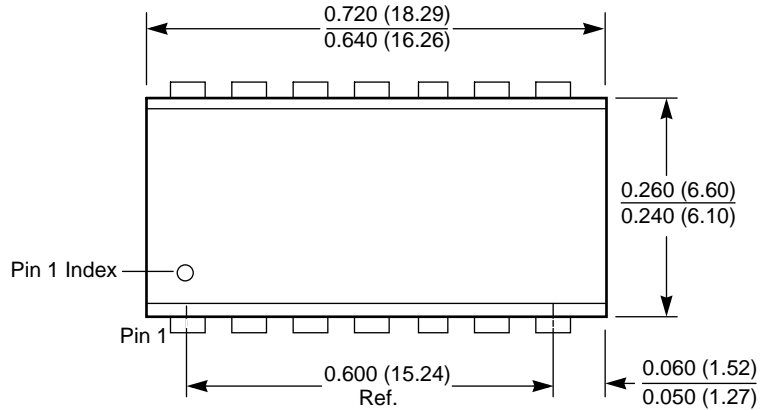
**Comparator with Hysteresis**



(for additional circuits see AN115)

PACKAGING INFORMATION

14-Lead Plastic Dual In-Line Package Type P

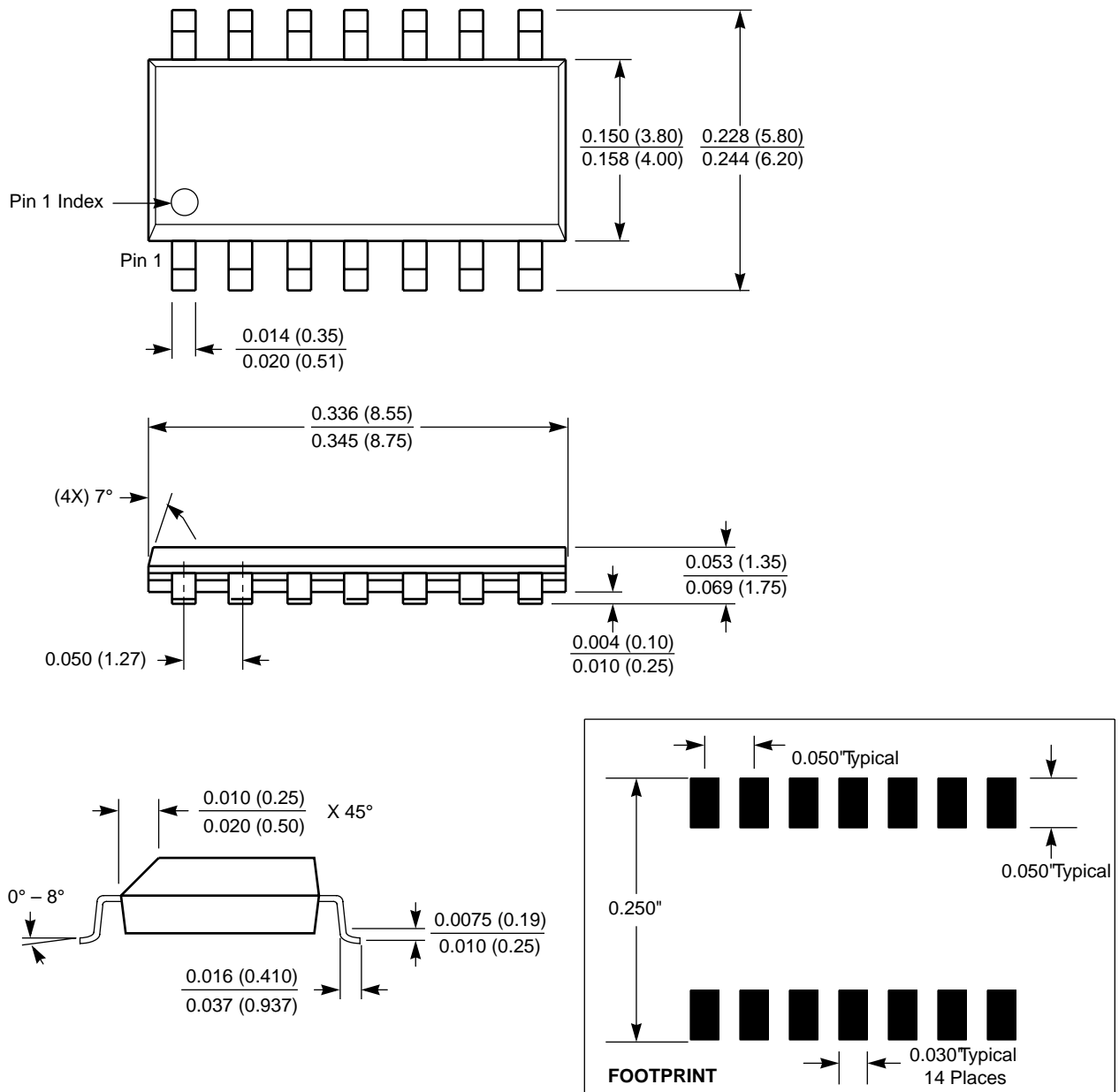


- NOTE:
1. ALL DIMENSIONS IN INCHES (IN PARENTHESES IN MILLIMETERS)
  2. PACKAGE DIMENSIONS EXCLUDE MOLDING FLASH



**PACKAGING INFORMATION**

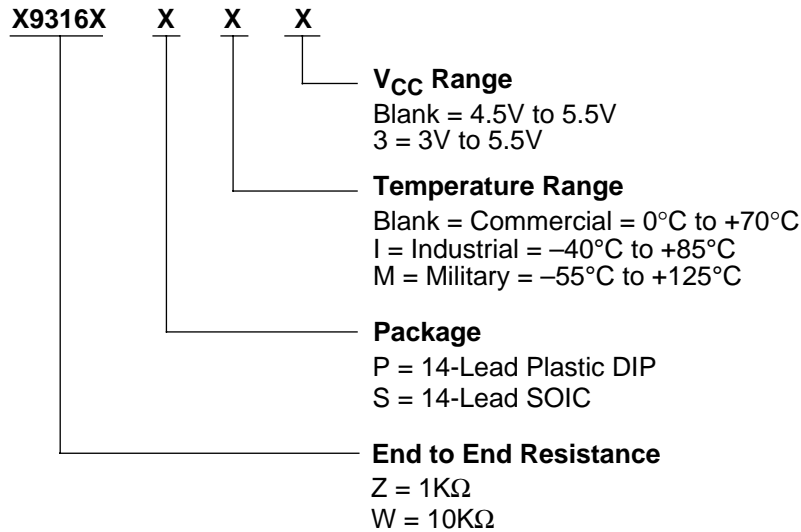
**14-Lead Plastic Small Outline Gullwing Package Type S**



**NOTE: ALL DIMENSIONS IN INCHES (IN PARENTHESES IN MILLIMETERS)**

# X9316

## ORDERING INFORMATION



## Physical Characteristics

Marking Includes  
Manufacturer's Trademark  
Resistance Value or Code  
Date Code

### LIMITED WARRANTY

©Xicor, Inc. 2000 Patents Pending

Devices sold by Xicor, Inc. are covered by the warranty and patent indemnification provisions appearing in its Terms of Sale only. Xicor, Inc. makes no warranty, express, statutory, implied, or by description regarding the information set forth herein or regarding the freedom of the described devices from patent infringement. Xicor, Inc. makes no warranty of merchantability or fitness for any purpose. Xicor, Inc. reserves the right to discontinue production and change specifications and prices at any time and without notice.

Xicor, Inc. assumes no responsibility for the use of any circuitry other than circuitry embodied in a Xicor, Inc. product. No other circuits, patents, or licenses are implied.

### TRADEMARK DISCLAIMER:

Xicor and the Xicor logo are registered trademarks of Xicor, Inc. AutoStore, Direct Write, Block Lock, SerialFlash, MPS, and XDCP are also trademarks of Xicor, Inc. All others belong to their respective owners.

### U.S. PATENTS

Xicor products are covered by one or more of the following U.S. Patents: 4,326,134; 4,393,481; 4,404,475; 4,450,402; 4,486,769; 4,488,060; 4,520,461; 4,533,846; 4,599,706; 4,617,652; 4,668,932; 4,752,912; 4,829,482; 4,874,967; 4,883,976; 4,980,859; 5,012,132; 5,003,197; 5,023,694; 5,084,667; 5,153,880; 5,153,691; 5,161,137; 5,219,774; 5,270,927; 5,324,676; 5,434,396; 5,544,103; 5,587,573; 5,835,409; 5,977,585. Foreign patents and additional patents pending.

### LIFE RELATED POLICY

In situations where semiconductor component failure may endanger life, system designers using this product should design the system with appropriate error detection and correction, redundancy and back-up features to prevent such an occurrence.

Xicor's products are not authorized for use in critical components in life support devices or systems.

1. Life support devices or systems are devices or systems which, (a) are intended for surgical implant into the body, or (b) support or sustain life, and whose failure to perform, when properly used in accordance with instructions for use provided in the labeling, can be reasonably expected to result in a significant injury to the user.
2. A critical component is any component of a life support device or system whose failure to perform can be reasonably expected to cause the failure of the life support device or system, or to affect its safety or effectiveness.