

74HC123; 74HCT123

Dual retriggerable monostable multivibrator with reset

Rev. 03 — 11 May 2004

Product data sheet

1. General description

The 74HC123; 74HCT123 are high-speed Si-gate CMOS devices and are pin compatible with low power Schottky TTL (LSTTL). They are specified in compliance with JEDEC standard no. 7A.

The 74HC123; 74HCT123 are dual retriggerable monostable multivibrators with output pulse width control by three methods:

1. The basic pulse time is programmed by selection of an external resistor (R_{EXT}) and capacitor (C_{EXT}).
2. Once triggered, the basic output pulse width may be extended by retriggering the gated active LOW-going edge input ($n\bar{A}$) or the active HIGH-going edge input (nB). By repeating this process, the output pulse period ($nQ = \text{HIGH}$, $n\bar{Q} = \text{LOW}$) can be made as long as desired. Alternatively an output delay can be terminated at any time by a LOW-going edge on input $n\bar{RD}$, which also inhibits the triggering.
3. An internal connection from $n\bar{RD}$ to the input gates makes it possible to trigger the circuit by a HIGH-going signal at input $n\bar{RD}$ as shown in the function table.

Schmitt-trigger action in the $n\bar{A}$ and nB inputs, makes the circuit highly tolerant to slower input rise and fall times.

The 74HC123; 74HCT123 is identical to the 74HC423; 74HCT423 but can be triggered via the reset input.

2. Features

- DC triggered from active HIGH or active LOW inputs
- Retriggerable for very long pulses up to 100 % duty factor
- Direct reset terminates output pulse
- Schmitt-trigger action on all inputs except for the reset input
- ESD protection:
 - ◆ HBM EIA/JESD22-A114-B exceeds 2000 V
 - ◆ MM EIA/JESD22-A115-A exceeds 200 V.
- Specified from $-40\text{ }^{\circ}\text{C}$ to $+80\text{ }^{\circ}\text{C}$ and from $-40\text{ }^{\circ}\text{C}$ to $+125\text{ }^{\circ}\text{C}$.

PHILIPS

3. Quick reference data

Table 1: Quick reference data
 $GND = 0\text{ V}; T_{amb} = 25\text{ }^{\circ}\text{C}; t_r = t_f = 6\text{ ns}$

Symbol	Parameter	Conditions	Min	Typ	Max	Unit
Type 74HC123						
t_{PHL}, t_{PLH}	propagation delay $n\bar{A}, nB$ to $nQ, n\bar{Q}$	$C_{EXT} = 0\text{ pF}; R_{EXT} = 5\text{ k}\Omega;$ $C_L = 15\text{ pF}; V_{CC} = 5\text{ V}$	-	26	-	ns
	propagation delay $n\bar{RD}$ to $nQ, n\bar{Q}$	$C_{EXT} = 0\text{ pF}; R_{EXT} = 5\text{ k}\Omega;$ $C_L = 15\text{ pF}; V_{CC} = 5\text{ V}$	-	20	-	ns
C_I	input capacitance		-	3.5	-	pF
C_{PD}	power dissipation capacitance per monostable		[1] [2]	54	-	pF
Type 74HCT123						
t_{PHL}, t_{PLH}	propagation delay $n\bar{A}, nB$ to $nQ, n\bar{Q}$	$C_{EXT} = 0\text{ pF}; R_{EXT} = 5\text{ k}\Omega;$ $C_L = 15\text{ pF}; V_{CC} = 5\text{ V}$	-	26	-	ns
	propagation delay $n\bar{RD}$ to $nQ, n\bar{Q}$	$C_{EXT} = 0\text{ pF}; R_{EXT} = 5\text{ k}\Omega;$ $C_L = 15\text{ pF}; V_{CC} = 5\text{ V}$	-	23	-	ns
C_I	input capacitance		-	3.5	-	pF
C_{PD}	power dissipation capacitance per monostable		[1] [3]	56	-	pF

[1] C_{PD} is used to determine the dynamic power dissipation (P_D in μW):

$$P_D = C_{PD} \times V_{CC}^2 \times f_i + \sum (C_L \times V_{CC}^2 \times f_o) + 0.75 \times C_{EXT} \times V_{CC}^2 \times f_o + D \times 16 \times V_{CC}$$

f_i = input frequency in MHz;

f_o = output frequency in MHz;

D = duty factor in %;

C_L = output load capacitance in pF;

V_{CC} = supply voltage in V;

C_{EXT} = timing capacitance in pF;

$\sum (C_L \times V_{CC}^2 \times f_o)$ sum of outputs.

[2] For 74HC123 the condition is $V_I = GND$ to V_{CC} .

[3] For 74HCT123 the condition is $V_I = GND$ to $V_{CC} - 1.5\text{ V}$.

4. Ordering information

Table 2: Ordering information

Type number	Package			Version
	Temperature range	Name	Description	
74HC123N	-40 °C to +125 °C	DIP16	plastic dual in-line package; 16 leads (300 mil); long body	SOT38-1
74HCT123N	-40 °C to +125 °C			
74HC123D	-40 °C to +125 °C	SO16	plastic small outline package; 16 leads; body width 3.9 mm	SOT109-1
74HCT123D	-40 °C to +125 °C			

Table 2: Ordering information ...continued

Type number	Package			Version
	Temperature range	Name	Description	
74HC123DB	-40 °C to +125 °C	SSOP16	plastic shrink small outline package; 16 leads; body width 5.3 mm	SOT338-1
74HCT123DB	-40 °C to +125 °C			
74HC123PW	-40 °C to +125 °C	TSSOP16	plastic thin shrink small outline package; 16 leads; body width 4.4 mm	SOT403-1
74HCT123PW	-40 °C to +125 °C			

5. Functional diagram

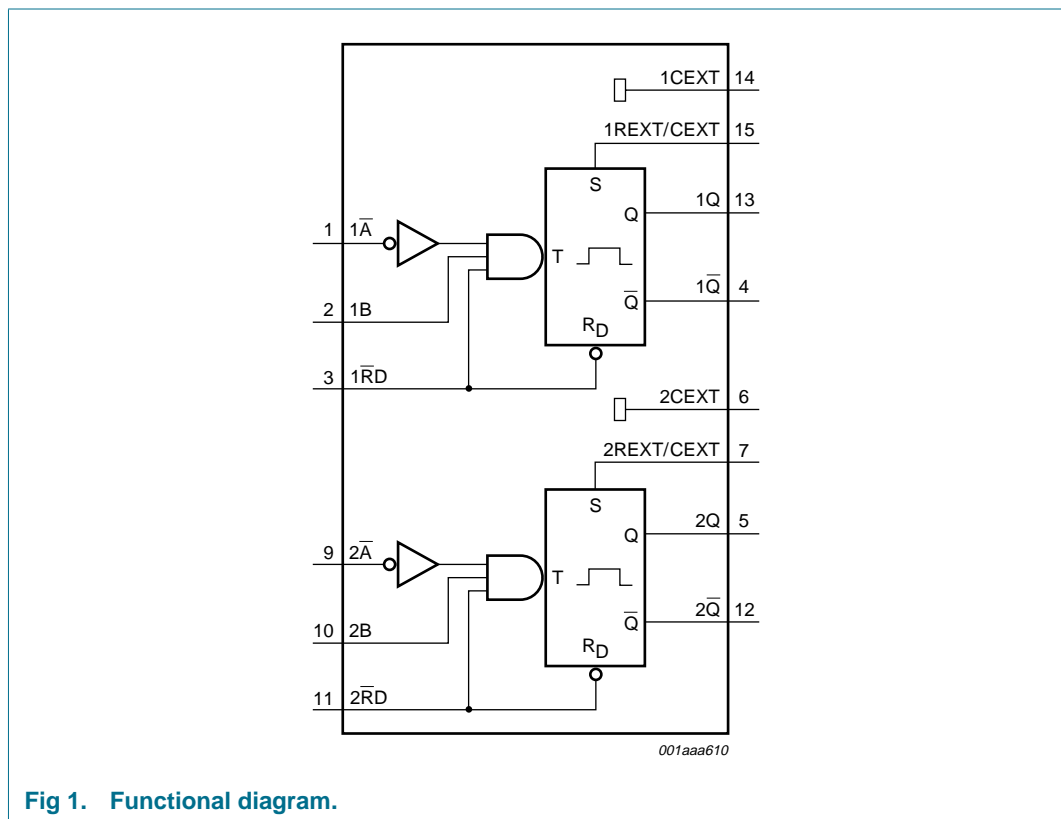


Fig 1. Functional diagram.

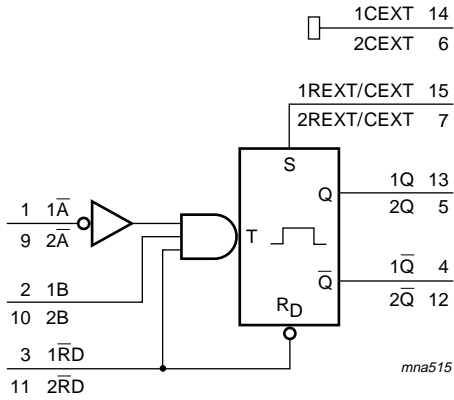


Fig 2. Logic symbol.

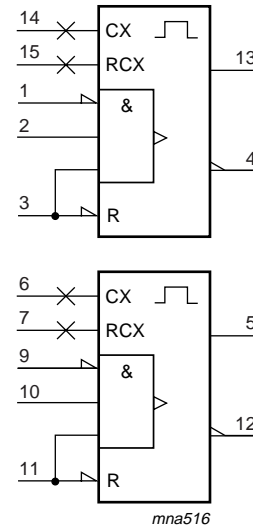


Fig 3. IEC logic symbol.

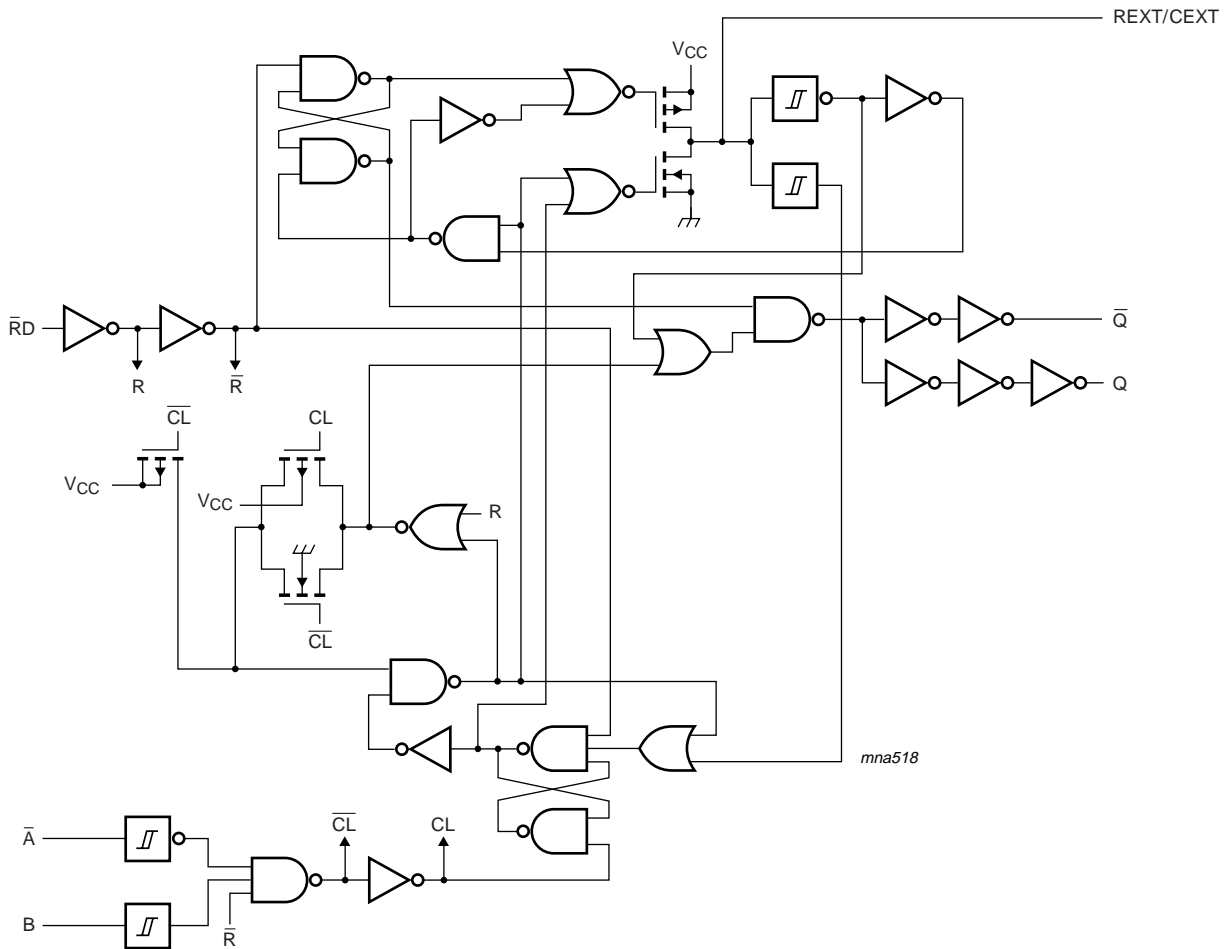
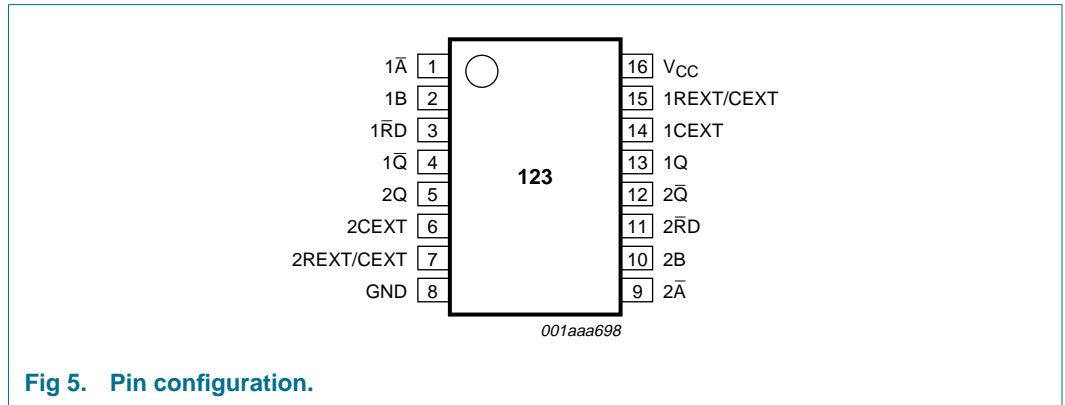


Fig 4. Logic diagram.

6. Pinning information

6.1 Pinning



6.2 Pin description







Table 3: Pin description

Pin	Symbol	Description
1	1 \bar{A}	trigger inputs (negative-edge triggered)
2	1B	trigger inputs (positive-edge triggered)
3	1 $\bar{R}D$	direct reset LOW and trigger action at positive edge
4	1 \bar{Q}	outputs (active LOW)
5	2Q	outputs (active HIGH)
6	2CEXT	external capacitor connection
7	2REXT/CEXT	external resistor and capacitor connection
8	GND	ground (0 V)
9	2 \bar{A}	trigger inputs (negative-edge triggered)
10	2B	trigger inputs (positive-edge triggered)
11	2 $\bar{R}D$	direct reset LOW and trigger action at positive edge
12	2 \bar{Q}	outputs (active LOW)
13	1Q	outputs (active HIGH)
14	1CEXT	external capacitor connection
15	1REXT/CEXT	external resistor and capacitor connection
16	V _{CC}	supply voltage

7. Functional description

7.1 Function table

Table 4: Function table ^[1]

Input			Output	
nRD	nA	nB	nQ	nQ
L	X	X	L	H
X	H	X	L ^[2]	H ^[2]
X	X	L	L ^[2]	H ^[2]
H	L	↑		
H	↓	H		
↑	L	H		


[1] H = HIGH voltage level


L = LOW voltage level

X = don't care

↑ = LOW-to-HIGH transition

↓ = HIGH-to-LOW transition

 = one HIGH level output pulse

 = one LOW level output pulse.

[2] If the monostable was triggered before this condition was established, the pulse will continue as programmed.

8. Limiting values

Table 5: Limiting values

In accordance with the Absolute Maximum Rating System (IEC 60134). Voltages are referenced to GND (ground = 0 V).

Symbol	Parameter	Conditions	Min	Max	Unit
V_{CC}	supply voltage		-0.5	+7	V
I_{IK}	input diode current	$V_I < -0.5\text{ V}$ or $V_I > V_{CC} + 0.5\text{ V}$	-	±20	mA
I_{OK}	output diode current	$V_O < -0.5\text{ V}$ or $V_O > V_{CC} + 0.5\text{ V}$	-	±20	mA
I_O	output source or sink current, except for pins nREXT/CEXT	$V_O = -0.5\text{ V}$ to $V_{CC} + 0.5\text{ V}$	-	±25	mA
I_{CC}, I_{GND}	V_{CC} or GND current		-	±50	mA
T_{stg}	storage temperature		-65	+150	°C
P_{tot}	power dissipation				
	DIP16 package		^[1] -	750	mW
	SO16, SSOP16 and TSSOP16 packages		^[2] -	500	mW

[1] Above 70 °C: P_{tot} derates linearly with 12 mW/K.

[2] Above 70 °C: P_{tot} derates linearly with 8 mW/K.

9. Recommended operating conditions

Table 6: Recommended operating conditions

Symbol	Parameter	Conditions	Min	Typ	Max	Unit
Type 74HC123						
V_{CC}	supply voltage		2.0	5.0	6.0	V
V_I	input voltage		0	-	V_{CC}	V
V_O	output voltage		0	-	V_{CC}	V
t_r, t_f	input rise and fall times for $n\overline{RD}$ input	$V_{CC} = 2.0\text{ V}$	-	-	1000	ns
		$V_{CC} = 4.5\text{ V}$	-	6.0	500	ns
		$V_{CC} = 6.0\text{ V}$	-	-	400	ns
T_{amb}	operating ambient temperature	see Section 10 and 11	-40	-	+125	°C
Type 74HCT123						
V_{CC}	supply voltage		4.5	5.0	5.5	V
V_I	input voltage		0	-	V_{CC}	V
V_O	output voltage		0	-	V_{CC}	V
t_r, t_f	input rise and fall times for $n\overline{RD}$ input	$V_{CC} = 4.5\text{ V}$	-	6.0	500	ns
T_{amb}	operating ambient temperature	see Section 10 and 11	-40	-	+125	°C

10. Static characteristics

Table 7: Static characteristics type 74HC123

At recommended operating conditions; voltages are referenced to GND (ground = 0 V).

Symbol	Parameter	Conditions	Min	Typ	Max	Unit
$T_{amb} = 25\text{ °C}$						
V_{IH}	HIGH-level input voltage	$V_{CC} = 2.0\text{ V}$	1.5	1.2	-	V
		$V_{CC} = 4.5\text{ V}$	3.15	2.4	-	V
		$V_{CC} = 6.0\text{ V}$	4.2	3.2	-	V
V_{IL}	LOW-level input voltage	$V_{CC} = 2.0\text{ V}$	-	0.8	0.5	V
		$V_{CC} = 4.5\text{ V}$	-	2.1	1.35	V
		$V_{CC} = 6.0\text{ V}$	-	2.8	1.8	V
V_{OH}	HIGH-level output voltage	$V_I = V_{IH}$ or V_{IL}				
		$I_O = -20\text{ }\mu\text{A}; V_{CC} = 2.0\text{ V}$	1.9	2.0	-	V
		$I_O = -20\text{ }\mu\text{A}; V_{CC} = 4.5\text{ V}$	4.4	4.5	-	V
		$I_O = -20\text{ }\mu\text{A}; V_{CC} = 6.0\text{ V}$	5.9	6.0	-	V
		$I_O = -4\text{ mA}; V_{CC} = 4.5\text{ V}$	3.98	4.32	-	V
	$I_O = -5.2\text{ mA}; V_{CC} = 6.0\text{ V}$	5.48	5.81	-	V	

Table 7: Static characteristics type 74HC123 ...continued
 At recommended operating conditions; voltages are referenced to GND (ground = 0 V).

Symbol	Parameter	Conditions	Min	Typ	Max	Unit
V_{OL}	LOW-level output voltage	$V_I = V_{IH}$ or V_{IL}				
		$I_O = 20 \mu\text{A}; V_{CC} = 2.0 \text{ V}$	-	0	0.1	V
		$I_O = 20 \mu\text{A}; V_{CC} = 4.5 \text{ V}$	-	0	0.1	V
		$I_O = 20 \mu\text{A}; V_{CC} = 6.0 \text{ V}$	-	0	0.1	V
		$I_O = 4 \text{ mA}; V_{CC} = 4.5 \text{ V}$	-	0.15	0.26	V
		$I_O = 5.2 \text{ mA}; V_{CC} = 6.0 \text{ V}$	-	0.16	0.26	V
I_{LI}	input leakage current	$V_I = V_{CC}$ or GND; $V_{CC} = 6.0 \text{ V}$	-	-	± 0.1	μA
I_{CC}	quiescent supply current	$V_I = V_{CC}$ or GND; $I_O = 0 \text{ A}; V_{CC} = 6.0 \text{ V}$	-	-	8.0	μA
C_I	input capacitance		-	3.5	-	pF
$T_{amb} = -40 \text{ }^\circ\text{C}$ to $+85 \text{ }^\circ\text{C}$						
V_{IH}	HIGH-level input voltage	$V_{CC} = 2.0 \text{ V}$	1.5	-	-	V
		$V_{CC} = 4.5 \text{ V}$	3.15	-	-	V
		$V_{CC} = 6.0 \text{ V}$	4.2	-	-	V
V_{IL}	LOW-level input voltage	$V_{CC} = 2.0 \text{ V}$	-	-	0.5	V
		$V_{CC} = 4.5 \text{ V}$	-	-	1.35	V
		$V_{CC} = 6.0 \text{ V}$	-	-	1.8	V
V_{OH}	HIGH-level output voltage	$V_I = V_{IH}$ or V_{IL}				
		$I_O = -20 \mu\text{A}; V_{CC} = 2.0 \text{ V}$	1.9	-	-	V
		$I_O = -20 \mu\text{A}; V_{CC} = 4.5 \text{ V}$	4.4	-	-	V
		$I_O = -20 \mu\text{A}; V_{CC} = 6.0 \text{ V}$	5.9	-	-	V
		$I_O = -4 \text{ mA}; V_{CC} = 4.5 \text{ V}$	3.84	-	-	V
		$I_O = -5.2 \text{ mA}; V_{CC} = 6.0 \text{ V}$	5.34	-	-	V
V_{OL}	LOW-level output voltage	$V_I = V_{IH}$ or V_{IL}				
		$I_O = 20 \mu\text{A}; V_{CC} = 2.0 \text{ V}$	-	-	0.1	V
		$I_O = 20 \mu\text{A}; V_{CC} = 4.5 \text{ V}$	-	-	0.1	V
		$I_O = 20 \mu\text{A}; V_{CC} = 6.0 \text{ V}$	-	-	0.1	V
		$I_O = 4 \text{ mA}; V_{CC} = 4.5 \text{ V}$	-	-	0.33	V
		$I_O = 5.2 \text{ mA}; V_{CC} = 6.0 \text{ V}$	-	-	0.33	V
I_{LI}	input leakage current	$V_I = V_{CC}$ or GND; $V_{CC} = 6.0 \text{ V}$	-	-	± 1.0	μA
I_{CC}	quiescent supply current	$V_I = V_{CC}$ or GND; $I_O = 0 \text{ A}; V_{CC} = 6.0 \text{ V}$	-	-	80	μA
$T_{amb} = -40 \text{ }^\circ\text{C}$ to $+125 \text{ }^\circ\text{C}$						
V_{IH}	HIGH-level input voltage	$V_{CC} = 2.0 \text{ V}$	1.5	-	-	V
		$V_{CC} = 4.5 \text{ V}$	3.15	-	-	V
		$V_{CC} = 6.0 \text{ V}$	4.2	-	-	V
V_{IL}	LOW-level input voltage	$V_{CC} = 2.0 \text{ V}$	-	-	0.5	V
		$V_{CC} = 4.5 \text{ V}$	-	-	1.35	V
		$V_{CC} = 6.0 \text{ V}$	-	-	1.8	V

Table 7: Static characteristics type 74HC123 ...continued

At recommended operating conditions; voltages are referenced to GND (ground = 0 V).

Symbol	Parameter	Conditions	Min	Typ	Max	Unit
V _{OH}	HIGH-level output voltage	V _I = V _{IH} or V _{IL}		-		
		I _O = -20 µA; V _{CC} = 2.0 V	1.9	-	-	V
		I _O = -20 µA; V _{CC} = 4.5 V	4.4	-	-	V
		I _O = -20 µA; V _{CC} = 6.0 V	5.9	-	-	V
		I _O = -4 mA; V _{CC} = 4.5 V	3.7	-	-	V
V _{OL}	LOW-level output voltage	V _I = V _{IH} or V _{IL}		-		
		I _O = 20 µA; V _{CC} = 2.0 V	-	-	0.1	V
		I _O = 20 µA; V _{CC} = 4.5 V	-	-	0.1	V
		I _O = 20 µA; V _{CC} = 6.0 V	-	-	0.1	V
		I _O = 4 mA; V _{CC} = 4.5 V	-	-	0.4	V
I _{LI}	input leakage current	I _O = 5.2 mA; V _{CC} = 6.0 V	-	-	0.4	V
		V _I = V _{CC} or GND; V _{CC} = 6.0 V	-	-	±1.0	µA
I _{CC}	quiescent supply current	V _I = V _{CC} or GND; I _O = 0 A; V _{CC} = 6.0 V	-	-	160	µA

Table 8: Static characteristics type 74HCT123

At recommended operating conditions; voltages are referenced to GND (ground = 0 V).

Symbol	Parameter	Conditions	Min	Typ	Max	Unit
T_{amb} = 25 °C						
V _{IH}	HIGH-level input voltage	V _{CC} = 4.5 V to 5.5 V	2.0	1.6	-	V
V _{IL}	LOW-level input voltage	V _{CC} = 4.5 V to 5.5 V	-	1.2	0.8	V
V _{OH}	HIGH-level output voltage	V _I = V _{IH} or V _{IL} ; V _{CC} = 4.5 V				
		I _O = -20 µA	4.4	4.5	-	V
		I _O = -4 mA	3.98	4.32	-	V
V _{OL}	LOW-level output voltage	V _I = V _{IH} or V _{IL} ; V _{CC} = 4.5 V				
		I _O = 20 µA	-	0	0.1	V
		I _O = 4.0 mA	-	0.15	0.26	V
I _{LI}	input leakage current	V _I = V _{CC} or GND; V _{CC} = 5.5 V	-	-	±0.1	µA
I _{CC}	quiescent supply current	V _I = V _{CC} or GND; I _O = 0 A; V _{CC} = 5.5 V	-	-	8.0	µA
ΔI _{CC}	additional quiescent supply current per input pin	V _I = V _{CC} - 2.1 V; other inputs V _I = V _{CC} or GND; V _{CC} = 4.5 V to 5.5 V; I _O = 0 A				
		pins n \bar{A} , nB	-	35	125	µA
		pin n $\bar{R}D$	-	50	180	µA
C _I	input capacitance		-	3.5	-	pF
T_{amb} = -40 °C to +85 °C						
V _{IH}	HIGH-level input voltage	V _{CC} = 4.5 V to 5.5 V	2.0	-	-	V
V _{IL}	LOW-level input voltage	V _{CC} = 4.5 V to 5.5 V	-	-	0.8	V

Table 8: Static characteristics type 74HCT123 ...continued
 At recommended operating conditions; voltages are referenced to GND (ground = 0 V).

Symbol	Parameter	Conditions	Min	Typ	Max	Unit
V _{OH}	HIGH-level output voltage	V _I = V _{IH} or V _{IL} ; V _{CC} = 4.5 V				
		I _O = -20 μA	4.4	-	-	V
		I _O = -4 mA	3.84	-	-	V
V _{OL}	LOW-level output voltage	V _I = V _{IH} or V _{IL} ; V _{CC} = 4.5 V				
		I _O = 20 μA	-	-	0.1	V
		I _O = 4.0 mA	-	-	0.33	V
I _{LI}	input leakage current	V _I = V _{CC} or GND; V _{CC} = 5.5 V	-	-	±1.0	μA
I _{CC}	quiescent supply current	V _I = V _{CC} or GND; I _O = 0 A; V _{CC} = 5.5 V	-	-	80	μA
ΔI _{CC}	additional quiescent supply current per input pin	V _I = V _{CC} - 2.1 V; other inputs V _I = V _{CC} or GND; V _{CC} = 4.5 V to 5.5 V; I _O = 0 A				
		pins n \bar{A} , nB	-	-	160	μA
		pin n $\bar{R}D$	-	-	225	μA
T_{amb} = -40 °C to +125 °C						
V _{IH}	HIGH-level input voltage	V _{CC} = 4.5 V to 5.5 V	2.0	-	-	V
V _{IL}	LOW-level input voltage	V _{CC} = 4.5 V to 5.5 V	-	-	0.8	V
V _{OH}	HIGH-level output voltage	V _I = V _{IH} or V _{IL} ; V _{CC} = 4.5 V				
		I _O = -20 μA	4.4	-	-	V
		I _O = -4 mA	3.7	-	-	V
V _{OL}	LOW-level output voltage	V _I = V _{IH} or V _{IL} ; V _{CC} = 4.5 V				
		I _O = 20 μA	-	-	0.1	V
		I _O = 4.0 mA	-	-	0.4	V
I _{LI}	input leakage current	V _I = V _{CC} or GND; V _{CC} = 5.5 V	-	-	±10.0	μA
I _{CC}	quiescent supply current	V _I = V _{CC} or GND; I _O = 0 A; V _{CC} = 5.5 V	-	-	160	μA
ΔI _{CC}	additional quiescent supply current per input pin	V _I = V _{CC} - 2.1 V; other inputs V _I = V _{CC} or GND; V _{CC} = 4.5 V to 5.5 V; I _O = 0 A				
		pins n \bar{A} , nB	-	-	170	μA
		pin n $\bar{R}D$	-	-	245	μA

11. Dynamic characteristics

Table 9: Dynamic characteristics type 72HC123

$GND = 0\text{ V}$; $t_r = t_f = 6\text{ ns}$; $C_L = 50\text{ pF}$; unless otherwise specified; see [Figure 9](#).

Symbol	Parameter	Conditions	Min	Typ	Max	Unit	
$T_{amb} = 25\text{ °C}$							
t_{PHL} , t_{PLH}	propagation delay $n\bar{R}D$, $n\bar{A}$, nB to nQ or $n\bar{Q}$	$C_{EXT} = 0\text{ pF}$; $R_{EXT} = 5\text{ k}\Omega$; see Figure 6					
		$V_{CC} = 2.0\text{ V}$	-	83	255	ns	
		$V_{CC} = 4.5\text{ V}$	-	30	51	ns	
		$V_{CC} = 6.0\text{ V}$	-	24	43	ns	
	propagation delay $n\bar{R}D$ to nQ or $n\bar{Q}$ (reset)	$C_L = 15\text{ pF}$; $V_{CC} = 5\text{ V}$	-	26	-	ns	
		$C_{EXT} = 0\text{ pF}$; $R_{EXT} = 5\text{ k}\Omega$; see Figure 6					
		$V_{CC} = 2.0\text{ V}$	-	66	215	ns	
		$V_{CC} = 4.5\text{ V}$	-	24	43	ns	
t_{THL} , t_{TLH}	output transition time	$V_{CC} = 6.0\text{ V}$	-	19	37	ns	
		$C_L = 15\text{ pF}$; $V_{CC} = 5\text{ V}$	-	20	-	ns	
		see Figure 6					
t_w	trigger pulse width	$n\bar{A} = \text{LOW}$; see Figure 7					
		$V_{CC} = 2.0\text{ V}$	100	8	-	ns	
		$V_{CC} = 4.5\text{ V}$	20	3	-	ns	
		$V_{CC} = 6.0\text{ V}$	17	2	-	ns	
		$nB = \text{HIGH}$; see Figure 7					
		$V_{CC} = 2.0\text{ V}$	100	17	-	ns	
	reset pulse width	$V_{CC} = 4.5\text{ V}$	20	6	-	ns	
		$V_{CC} = 6.0\text{ V}$	17	5	-	ns	
		$n\bar{R}D = \text{LOW}$; see Figure 8					
		$V_{CC} = 2.0\text{ V}$	100	14	-	ns	
		$V_{CC} = 4.5\text{ V}$	20	5	-	ns	
		$V_{CC} = 6.0\text{ V}$	17	4	-	ns	
output pulse width	$C_{EXT} = 100\text{ nF}$; $R_{EXT} = 10\text{ k}\Omega$; $V_{CC} = 5.0\text{ V}$; $nQ = \text{HIGH}$; $n\bar{Q} = \text{LOW}$; see Figure 7 and 8			450	-	μs	
	$C_{EXT} = 0\text{ pF}$; $R_{EXT} = 5\text{ k}\Omega$; $V_{CC} = 5.0\text{ V}$; $nQ = \text{HIGH}$; $n\bar{Q} = \text{LOW}$; see Figure 7 and 8	[1]	-	75	-	ns	
t_{rt}	retrigger time $n\bar{A}$, nB	$C_{EXT} = 0\text{ pF}$; $R_{EXT} = 5\text{ k}\Omega$; $V_{CC} = 5.0\text{ V}$; see Figure 7	[2][3]	-	110	-	ns
R_{EXT}	external timing resistor	see Figure 10					
		$V_{CC} = 2.0\text{ V}$	10	-	1000	k Ω	
		$V_{CC} = 5.0\text{ V}$	2	-	1000	k Ω	
C_{EXT}	external timing capacitor	$V_{CC} = 5.0\text{ V}$; see Figure 10	[3]	no limits		pF	

Table 9: Dynamic characteristics type 72HC123 ...continued
 GND = 0 V; $t_r = t_f = 6$ ns; $C_L = 50$ pF; unless otherwise specified; see [Figure 9](#).

Symbol	Parameter	Conditions	Min	Typ	Max	Unit
C_{PD}	power dissipation capacitance per monostable		[4] [5] -	54	-	pF
$T_{amb} = -40$ °C to $+85$ °C						
t_{PHL}, t_{PLH}	propagation delay $n\bar{R}D$, $n\bar{A}$, nB to nQ or $n\bar{Q}$	$C_{EXT} = 0$ pF; $R_{EXT} = 5$ k Ω ; see Figure 6				
		$V_{CC} = 2.0$ V	-	-	320	ns
		$V_{CC} = 4.5$ V	-	-	64	ns
		$V_{CC} = 6.0$ V	-	-	54	ns
	propagation delay $n\bar{R}D$ to nQ or $n\bar{Q}$ (reset)	$C_{EXT} = 0$ pF; $R_{EXT} = 5$ k Ω ; see Figure 6				
		$V_{CC} = 2.0$ V	-	-	270	ns
		$V_{CC} = 4.5$ V	-	-	54	
		$V_{CC} = 6.0$ V	-	-	46	ns
t_{THL}, t_{TLH}	output transition time	see Figure 6				
		$V_{CC} = 2.0$ V	-	-	95	ns
		$V_{CC} = 4.5$ V	-	-	19	ns
		$V_{CC} = 6.0$ V	-	-	16	ns
t_w	trigger pulse width	$n\bar{A} = \text{LOW}$; see Figure 7				
		$V_{CC} = 2.0$ V	125	-	-	ns
		$V_{CC} = 4.5$ V	25	-	-	ns
		$V_{CC} = 6.0$ V	21	-	-	ns
		$nB = \text{HIGH}$; see Figure 7				
		$V_{CC} = 2.0$ V	125	-	-	ns
		$V_{CC} = 4.5$ V	25	-	-	ns
		$V_{CC} = 6.0$ V	21	-	-	ns
	reset pulse width	$n\bar{R}D = \text{LOW}$; see Figure 8				
		$V_{CC} = 2.0$ V	125	-	-	ns
		$V_{CC} = 4.5$ V	25	-	-	ns
		$V_{CC} = 6.0$ V	21	-	-	ns
$T_{amb} = -40$ °C to $+125$ °C						
t_{PHL}, t_{PLH}	propagation delay $n\bar{R}D$, $n\bar{A}$, nB to nQ or $n\bar{Q}$	$C_{EXT} = 0$ pF; $R_{EXT} = 5$ k Ω ; see Figure 6				
		$V_{CC} = 2.0$ V	-	-	385	ns
		$V_{CC} = 4.5$ V	-	-	77	ns
		$V_{CC} = 6.0$ V	-	-	65	ns
	propagation delay $n\bar{R}D$ to nQ or $n\bar{Q}$ (reset)	$C_{EXT} = 0$ pF; $R_{EXT} = 5$ k Ω ; see Figure 6				
		$V_{CC} = 2.0$ V	-	-	325	ns
		$V_{CC} = 4.5$ V	-	-	65	
		$V_{CC} = 6.0$ V	-	-	55	ns
t_{THL}, t_{TLH}	output transition time	see Figure 6				
		$V_{CC} = 2.0$ V	-	-	110	ns
		$V_{CC} = 4.5$ V	-	-	22	ns
		$V_{CC} = 6.0$ V	-	-	19	ns

Table 9: Dynamic characteristics type 72HC123 ...continued
GND = 0 V; $t_r = t_f = 6$ ns; $C_L = 50$ pF; unless otherwise specified; see [Figure 9](#).

Symbol	Parameter	Conditions	Min	Typ	Max	Unit	
t_W	trigger pulse width	$n\bar{A} = \text{LOW}$; see Figure 7					
		$V_{CC} = 2.0$ V	150	-	-	ns	
		$V_{CC} = 4.5$ V	30	-	-	ns	
		$V_{CC} = 6.0$ V	26	-	-	ns	
	reset pulse width	$n\bar{B} = \text{HIGH}$; see Figure 7					
		$V_{CC} = 2.0$ V	150	-	-	ns	
		$V_{CC} = 4.5$ V	30	-	-	ns	
		$V_{CC} = 6.0$ V	26	-	-	ns	
		$n\bar{RD} = \text{LOW}$; see Figure 8					
$V_{CC} = 2.0$ V		150	-	-	ns		
	$V_{CC} = 4.5$ V	30	-	-	ns		
	$V_{CC} = 6.0$ V	26	-	-	ns		

[1] For other R_{EXT} and C_{EXT} combinations see [Figure 10](#). If $C_{EXT} > 10$ nF, the next formula is valid:

$$t_W = K \times R_{EXT} \times C_{EXT}, \text{ where:}$$

t_W = typical output pulse width in ns;

R_{EXT} = external resistor in k Ω ;

C_{EXT} = external capacitor in pF;

K = constant = 0.45 for $V_{CC} = 5.0$ V and 0.48 for $V_{CC} = 2.0$ V.

The inherent test jig and pin capacitance at pins 15 and 7 (nR_{EXT}/C_{EXT}) is approximately 7 pF.

[2] The time to retrigger the monostable multivibrator depends on the values of R_{EXT} and C_{EXT} . The output pulse width will only be extended when the time between the active-going edges of the trigger input pulses meets the minimum retrigger time. If $C_{EXT} > 10$ pF, the next formula (at $V_{CC} = 5.0$ V) for the set-up time of a retrigger pulse is valid:

$$t_{rt} = 30 + 0.19 \times R_{EXT} \times C_{EXT}^{0.9} + 13 \times R_{EXT}^{1.05}, \text{ where:}$$

t_{rt} = retrigger time in ns;

C_{EXT} = external capacitor in pF;

R_{EXT} = external resistor in k Ω .

The inherent test jig and pin capacitance at pins 15 and 7 (nR_{EXT}/C_{EXT}) is 7 pF.

[3] When the device is powered-up, initiate the device via a reset pulse, when $C_{EXT} < 50$ pF.

[4] C_{PD} is used to determine the dynamic power dissipation (P_D in μ W):

$$P_D = C_{PD} \times V_{CC}^2 \times f_i + \sum(C_L \times V_{CC}^2 \times f_o) + 0.75 \times C_{EXT} \times V_{CC}^2 \times f_o + D \times 16 \times V_{CC} \text{ where:}$$

f_i = input frequency in MHz;

f_o = output frequency in MHz;

D = duty factor in %;

C_L = output load capacitance in pF;

V_{CC} = supply voltage in V;

C_{EXT} = timing capacitance in pF;

$\sum (C_L \times V_{CC}^2 \times f_o)$ sum of outputs.

[5] The condition is $V_I = \text{GND}$ to V_{CC} .

Table 10: Dynamic characteristics type 72HCT123

$GND = 0\text{ V}$; $t_r = t_f = 6\text{ ns}$; $C_L = 50\text{ pF}$; unless otherwise specified; see [Figure 9](#).

Symbol	Parameter	Conditions	Min	Typ	Max	Unit	
$T_{amb} = 25\text{ °C}$							
t_{PHL}	propagation delay $n\overline{RD}$, $n\overline{A}$, nB to $n\overline{Q}$	$C_{EXT} = 0\text{ pF}$; $R_{EXT} = 5\text{ k}\Omega$; see Figure 6	-	30	51	ns	
		$V_{CC} = 4.5\text{ V}$	-	26	-	ns	
	propagation delay $n\overline{RD}$ to nQ (reset)	$C_{EXT} = 0\text{ pF}$; $R_{EXT} = 5\text{ k}\Omega$; see Figure 6	-	27	46	ns	
		$V_{CC} = 4.5\text{ V}$	-	23	-	ns	
t_{PLH}	propagation delay $n\overline{RD}$, $n\overline{A}$, nB to nQ	$C_{EXT} = 0\text{ pF}$; $R_{EXT} = 5\text{ k}\Omega$; see Figure 6	-	28	51	ns	
		$V_{CC} = 4.5\text{ V}$	-	26	-	ns	
	propagation delay $n\overline{RD}$ to $n\overline{Q}$ (reset)	$C_{EXT} = 0\text{ pF}$; $R_{EXT} = 5\text{ k}\Omega$; see Figure 6	-	23	46	ns	
		$V_{CC} = 4.5\text{ V}$	-	23	-	ns	
t_{THL} , t_{TLH}	output transition time	$V_{CC} = 4.5\text{ V}$; see Figure 6	-	7	15	ns	
t_W	trigger pulse width	$n\overline{A} = \text{LOW}$; $V_{CC} = 4.5\text{ V}$; see Figure 7	20	3	-	ns	
		$nB = \text{HIGH}$; $V_{CC} = 4.5\text{ V}$; see Figure 7	20	5	-	ns	
	reset pulse width	$n\overline{RD} = \text{LOW}$; $V_{CC} = 4.5\text{ V}$; see Figure 8	20	7	-	ns	
	output pulse width	$C_{EXT} = 100\text{ nF}$; $R_{EXT} = 10\text{ k}\Omega$; $V_{CC} = 5.0\text{ V}$; $nQ = \text{HIGH}$; $n\overline{Q} = \text{LOW}$; see Figure 7 and 8	-	450	-	μs	
		$C_{EXT} = 0\text{ pF}$; $R_{EXT} = 5\text{ k}\Omega$; $V_{CC} = 5.0\text{ V}$; $nQ = \text{HIGH}$; $n\overline{Q} = \text{LOW}$; see Figure 7 and 8	[1]	-	75	-	ns
t_{rt}	retrigger time $n\overline{A}$, nB	$C_{EXT} = 0\text{ pF}$; $R_{EXT} = 5\text{ k}\Omega$; $V_{CC} = 5.0\text{ V}$; see Figure 7	[2][3]	-	110	-	ns
R_{EXT}	external timing resistor	$V_{CC} = 5.0\text{ V}$; see Figure 10	2	-	1000	$\text{k}\Omega$	
C_{EXT}	external timing capacitor	$V_{CC} = 5.0\text{ V}$; see Figure 10	[3]	no limits	-	pF	
C_{PD}	power dissipation capacitance per monostable		[4][5]	-	56	-	pF
$T_{amb} = -40\text{ °C to }+85\text{ °C}$							
t_{PHL}	propagation delay $n\overline{RD}$, $n\overline{A}$, nB to $n\overline{Q}$	$C_{EXT} = 0\text{ pF}$; $R_{EXT} = 5\text{ k}\Omega$; $V_{CC} = 4.5\text{ V}$; see Figure 6	-	-	64	ns	
		$C_{EXT} = 0\text{ pF}$; $R_{EXT} = 5\text{ k}\Omega$; $V_{CC} = 4.5\text{ V}$; see Figure 6	-	-	58	ns	
t_{PLH}	propagation delay $n\overline{RD}$, $n\overline{A}$, nB to nQ	$C_{EXT} = 0\text{ pF}$; $R_{EXT} = 5\text{ k}\Omega$; $V_{CC} = 4.5\text{ V}$; see Figure 6	-	-	64	ns	
		$C_{EXT} = 0\text{ pF}$; $R_{EXT} = 5\text{ k}\Omega$; $V_{CC} = 4.5\text{ V}$; see Figure 6	-	-	58	ns	
t_{THL} , t_{TLH}	output transition time	$V_{CC} = 4.5\text{ V}$	-	-	19	ns	
t_W	trigger pulse width	$n\overline{A} = \text{LOW}$; $V_{CC} = 4.5\text{ V}$; see Figure 7	25	-	-	ns	
		$nB = \text{HIGH}$; $V_{CC} = 4.5\text{ V}$; see Figure 7	25	-	-	ns	
	reset pulse width	$n\overline{RD} = \text{LOW}$; $V_{CC} = 4.5\text{ V}$; see Figure 8	25	-	-	ns	

Table 10: Dynamic characteristics type 72HCT123 ...continued

$GND = 0\text{ V}$; $t_r = t_f = 6\text{ ns}$; $C_L = 50\text{ pF}$; unless otherwise specified; see [Figure 9](#).

Symbol	Parameter	Conditions	Min	Typ	Max	Unit
$T_{\text{amb}} = -40\text{ °C to }+125\text{ °C}$						
t_{PHL}	propagation delay $n\overline{RD}$, $n\overline{A}$, nB to $n\overline{Q}$	$C_{\text{EXT}} = 0\text{ pF}$; $R_{\text{EXT}} = 5\text{ k}\Omega$; $V_{\text{CC}} = 4.5\text{ V}$; see Figure 6	-	-	77	ns
	propagation delay $n\overline{RD}$ to nQ (reset)	$C_{\text{EXT}} = 0\text{ pF}$; $R_{\text{EXT}} = 5\text{ k}\Omega$; $V_{\text{CC}} = 4.5\text{ V}$; see Figure 6	-	-	69	ns
t_{PLH}	propagation delay $n\overline{RD}$, $n\overline{A}$, nB to nQ	$C_{\text{EXT}} = 0\text{ pF}$; $R_{\text{EXT}} = 5\text{ k}\Omega$; $V_{\text{CC}} = 4.5\text{ V}$; see Figure 6	-	-	77	ns
	propagation delay $n\overline{RD}$ to $n\overline{Q}$ (reset)	$C_{\text{EXT}} = 0\text{ pF}$; $R_{\text{EXT}} = 5\text{ k}\Omega$; $V_{\text{CC}} = 4.5\text{ V}$; see Figure 6	-	-	69	ns
$t_{\text{THL}}, t_{\text{TLH}}$	output transition time	$V_{\text{CC}} = 4.5\text{ V}$	-	-	22	ns
t_{W}	trigger pulse width	$n\overline{A} = \text{LOW}$; $V_{\text{CC}} = 4.5\text{ V}$; see Figure 7	30	-	-	ns
		$nB = \text{HIGH}$; $V_{\text{CC}} = 4.5\text{ V}$; see Figure 7	30	-	-	ns
	reset pulse width	$n\overline{RD} = \text{LOW}$; $V_{\text{CC}} = 4.5\text{ V}$; see Figure 8	30	-	-	ns

[1] For other R_{EXT} and C_{EXT} combinations see [Figure 10](#). If $C_{\text{EXT}} > 10\text{ nF}$, the next formula is valid:

$t_{\text{W}} = K \times R_{\text{EXT}} \times C_{\text{EXT}}$, where:

t_{W} = typical output pulse width in ns;

R_{EXT} = external resistor in $\text{k}\Omega$;

C_{EXT} = external capacitor in pF;

K = constant = 0.45 for $V_{\text{CC}} = 5.0\text{ V}$ and 0.48 for $V_{\text{CC}} = 2.0\text{ V}$.

The inherent test jig and pin capacitance at pins 15 and 7 ($n\text{REXT}/C_{\text{EXT}}$) is approximately 7 pF.

[2] The time to retrigger the monostable multivibrator depends on the values of R_{EXT} and C_{EXT} . The output pulse width will only be extended when the time between the active-going edges of the trigger input pulses meets the minimum retrigger time. If $C_{\text{EXT}} > 10\text{ pF}$, the next formula (at $V_{\text{CC}} = 5.0\text{ V}$) for the set-up time of a retrigger pulse is valid:

$t_{\text{rt}} = 30 + 0.19 \times R_{\text{EXT}} \times C_{\text{EXT}}^{0.9} + 13 \times R_{\text{EXT}}^{1.05}$, where:

t_{rt} = typical retrigger time in ns;

C_{EXT} = external capacitor in pF;

R_{EXT} = external resistor in $\text{k}\Omega$.

The inherent test jig and pin capacitance at pins 15 and 7 ($n\text{REXT}/C_{\text{EXT}}$) is 7 pF.

[3] When the device is powered-up, initiate the device via a reset pulse, when $C_{\text{EXT}} < 50\text{ pF}$.

[4] C_{PD} is used to determine the dynamic power dissipation (P_{D} in μW):

$P_{\text{D}} = C_{\text{PD}} \times V_{\text{CC}}^2 \times f_i + \sum (C_L \times V_{\text{CC}}^2 \times f_o) + 0.75 \times C_{\text{EXT}} \times V_{\text{CC}}^2 \times f_o + D \times 16 \times V_{\text{CC}}$ where:

f_i = input frequency in MHz;

f_o = output frequency in MHz;

D = duty factor in %;

C_L = output load capacitance in pF;

V_{CC} = supply voltage in V;

C_{EXT} = timing capacitance in pF;

$\sum (C_L \times V_{\text{CC}}^2 \times f_o)$ sum of outputs.

[5] The condition is $V_I = GND$ to $V_{\text{CC}} - 1.5\text{ V}$.

12. Waveforms

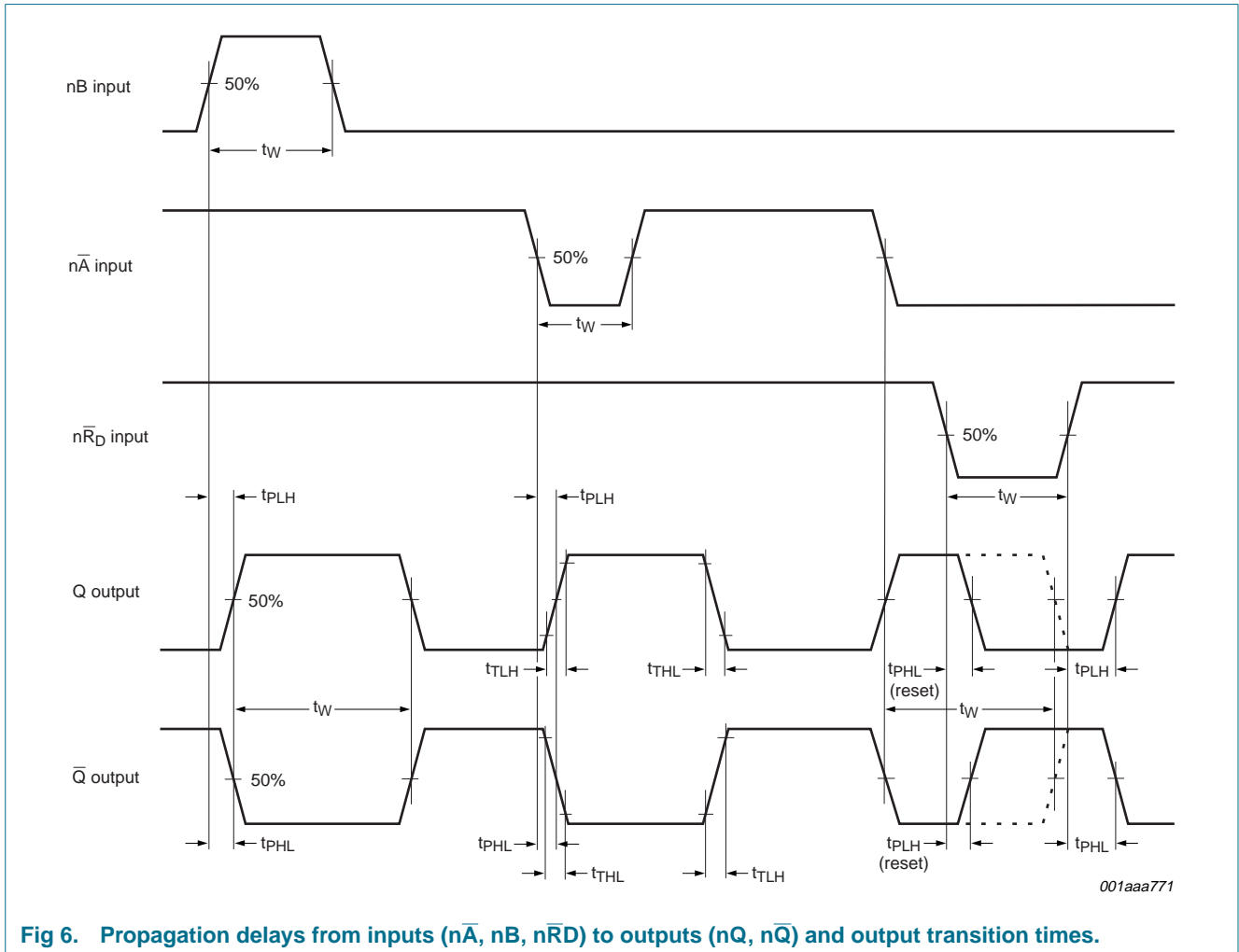


Fig 6. Propagation delays from inputs ($n\bar{A}$, nB , $n\bar{RD}$) to outputs (nQ , $n\bar{Q}$) and output transition times.

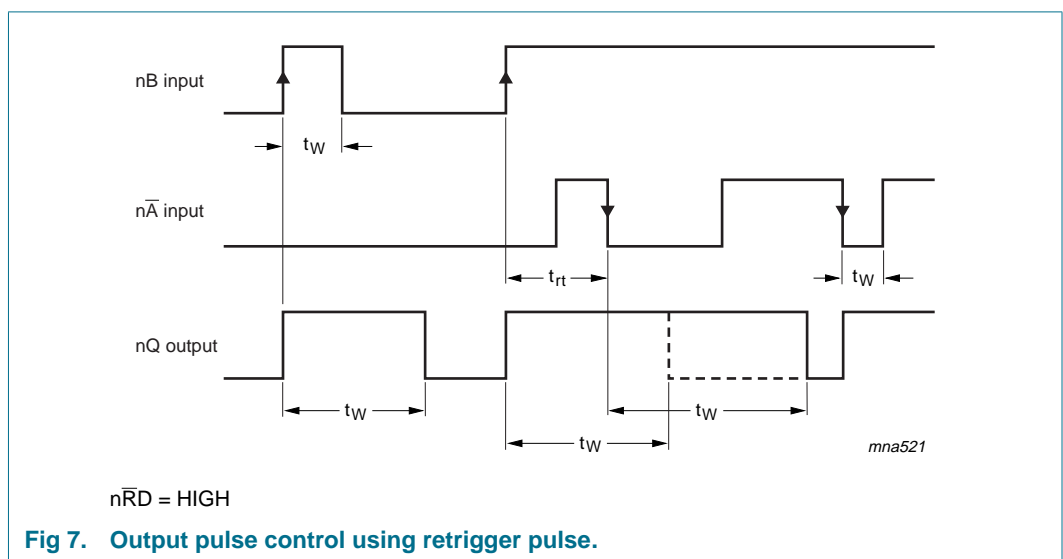
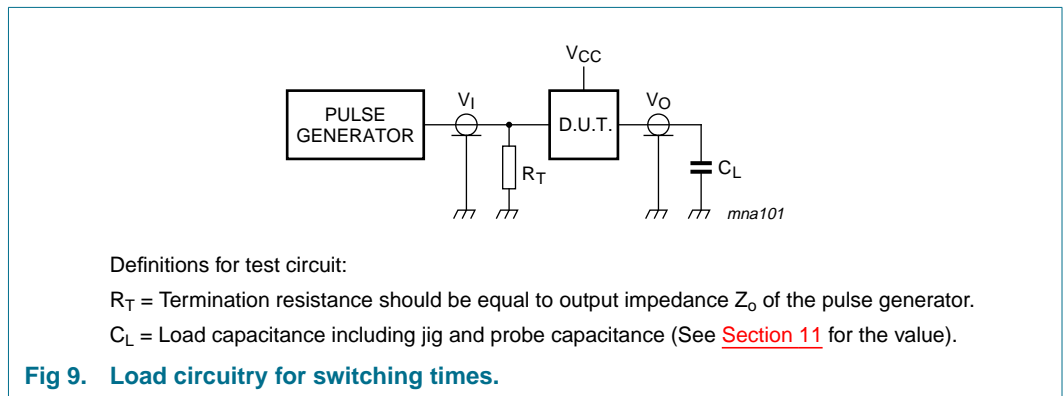
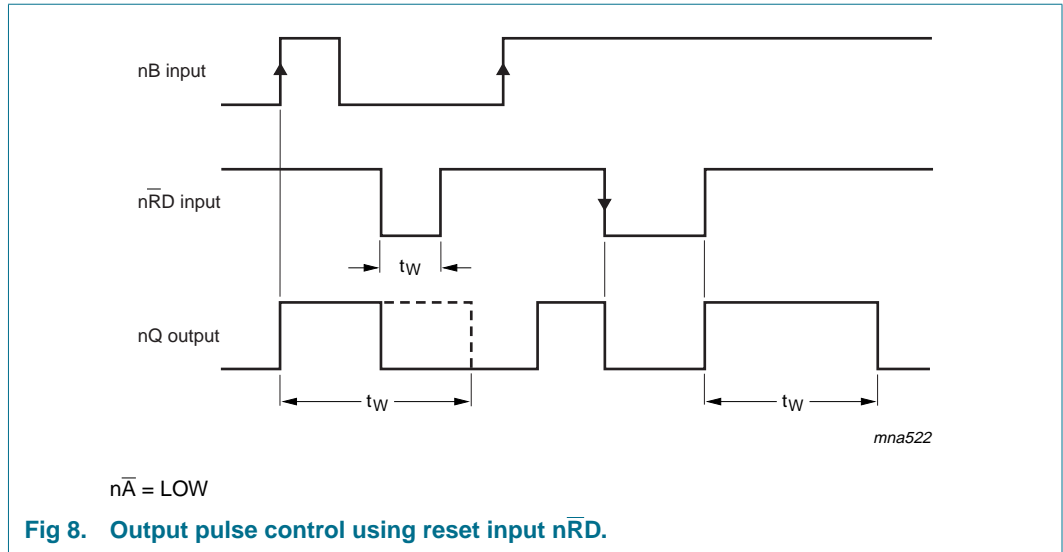
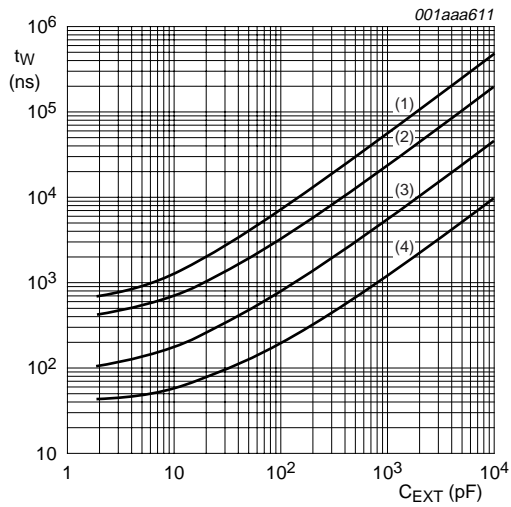


Fig 7. Output pulse control using retrigger pulse.

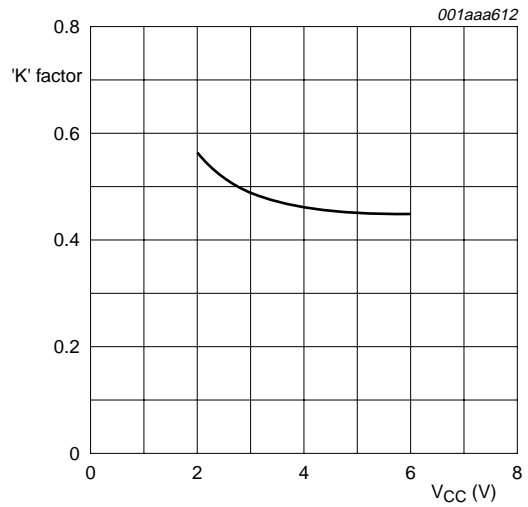




$V_{CC} = 5.0 \text{ V}; T_{amb} = 25 \text{ }^\circ\text{C}.$

- (1) $R_{EXT} = 100 \text{ k}\Omega$
- (2) $R_{EXT} = 50 \text{ k}\Omega$
- (3) $R_{EXT} = 10 \text{ k}\Omega$
- (4) $R_{EXT} = 2 \text{ k}\Omega$

Fig 10. Typical output pulse width as a function of the external capacitor value.



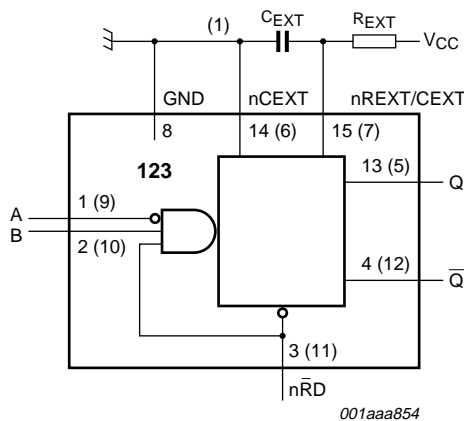
$C_X = 10 \text{ nF}; R_X = 10 \text{ k}\Omega \text{ to } 100 \text{ k}\Omega$

Fig 11. 74HCT123 typical 'K' factor as function of V_{CC} .

13. Application information

13.1 Timing component connections

The basic output pulse width is essentially determined by the values of the external timing components R_{EXT} and C_{EXT} .



- (1) For minimum noise generation it is recommended to ground pins 6 (2CEXT) and 14 (1CEXT) externally to pin 8 (GND).

Fig 12. Timing component connections.

13.2 Power-up considerations

When the monostable is powered-up it may produce an output pulse, with a pulse width defined by the values of R_{EXT} and C_{EXT} . This output pulse can be eliminated using the circuit shown in [Figure 13](#).

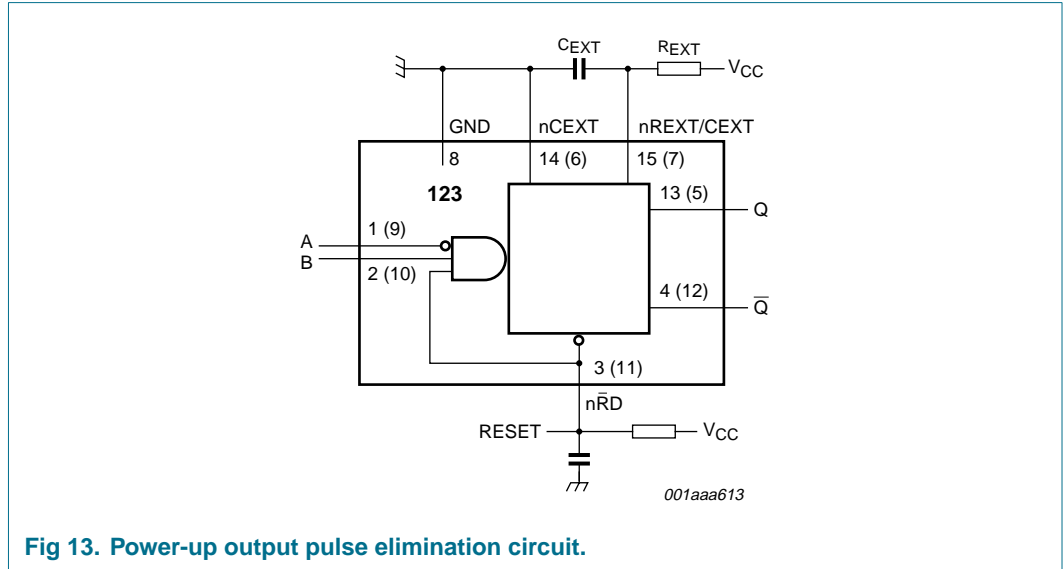


Fig 13. Power-up output pulse elimination circuit.

13.3 Power-down considerations

A large capacitor C_{EXT} may cause problems when powering-down the monostable due to the energy stored in this capacitor. When a system containing this device is powered-down or a rapid decrease of V_{CC} to zero occurs, the monostable may sustain damage, due to the capacitor discharging through the input protection diodes. To avoid this possibility, use a damping diode (D_{EXT}) preferably a germanium or Schottky type diode able to withstand large current surges and connect as shown in [Figure 14](#).

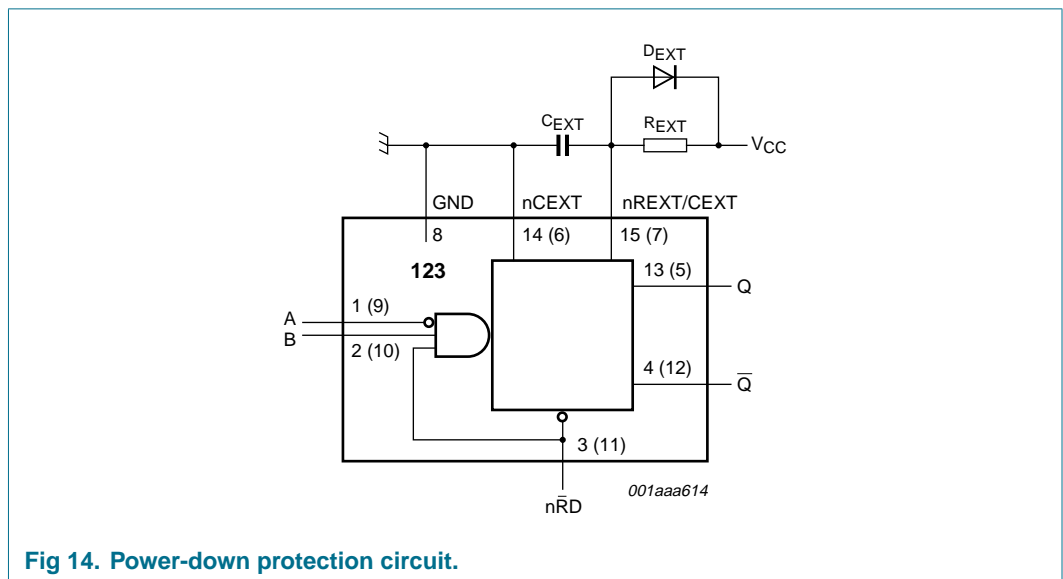


Fig 14. Power-down protection circuit.

14. Package outline

DIP16: plastic dual in-line package; 16 leads (300 mil); long body

SOT38-1

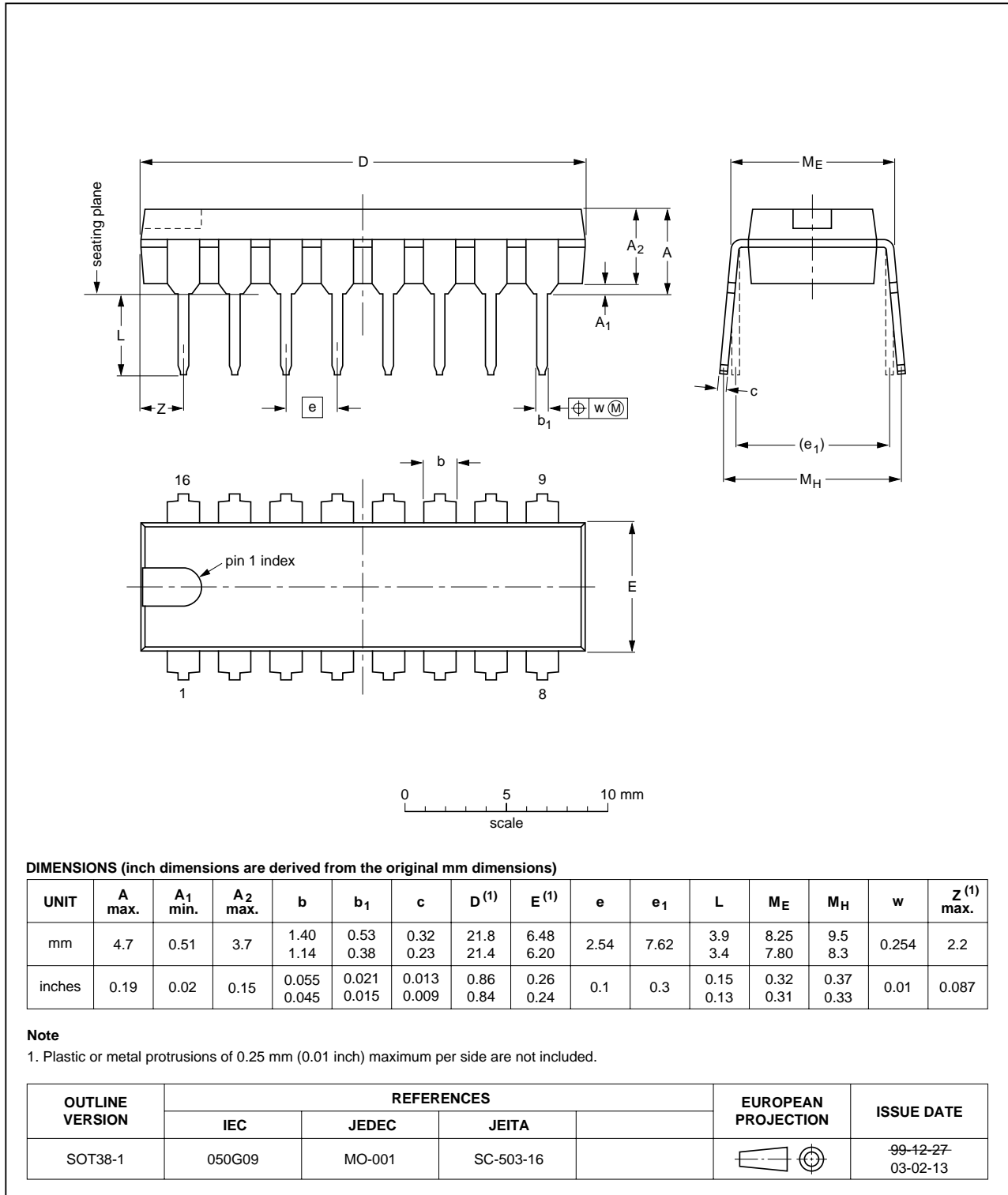


Fig 15. Package outline DIP16.

SO16: plastic small outline package; 16 leads; body width 3.9 mm

SOT109-1

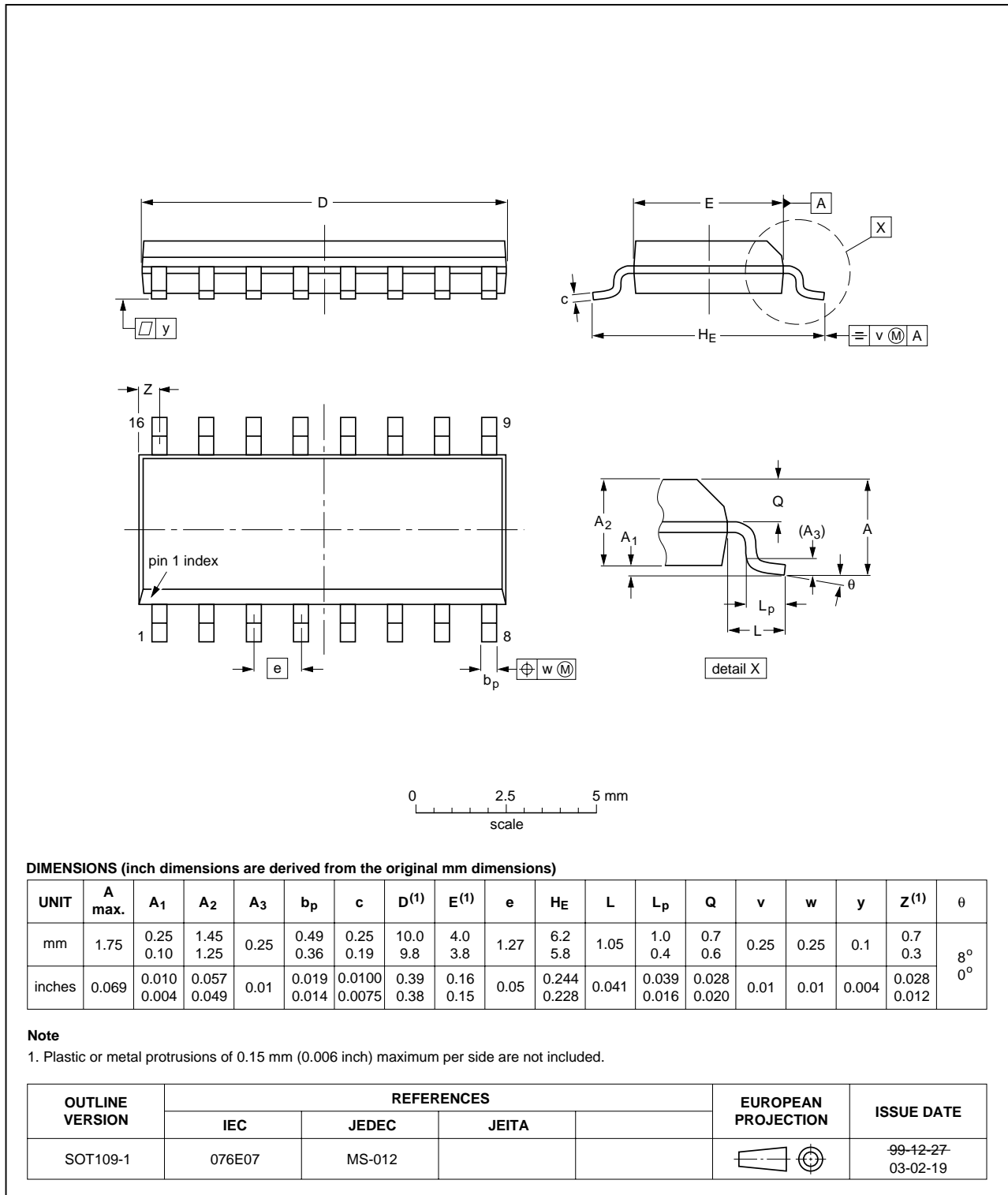


Fig 16. Package outline SO16.

SSOP16: plastic shrink small outline package; 16 leads; body width 5.3 mm

SOT338-1

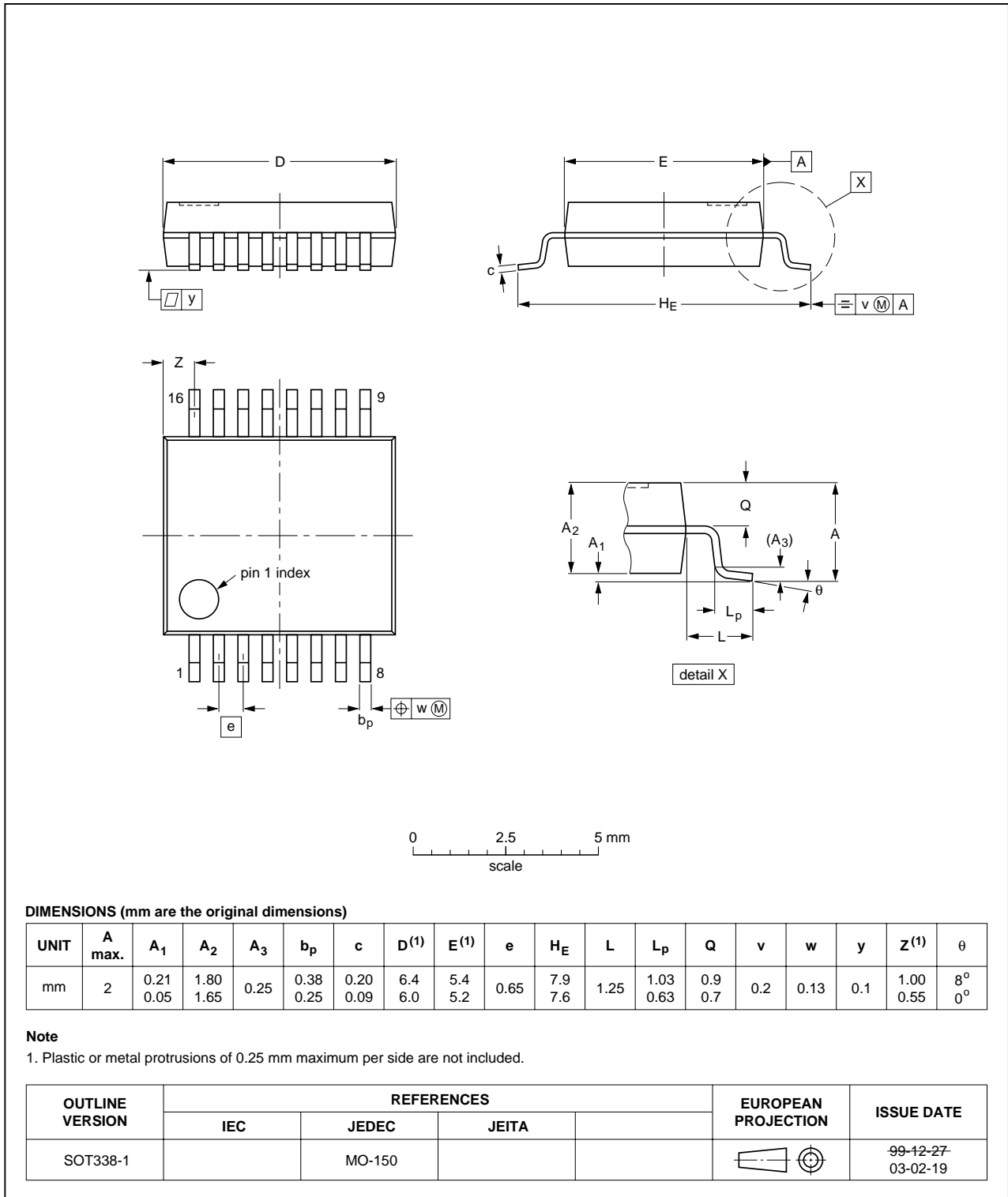


Fig 17. Package outline SSOP16.

TSSOP16: plastic thin shrink small outline package; 16 leads; body width 4.4 mm

SOT403-1

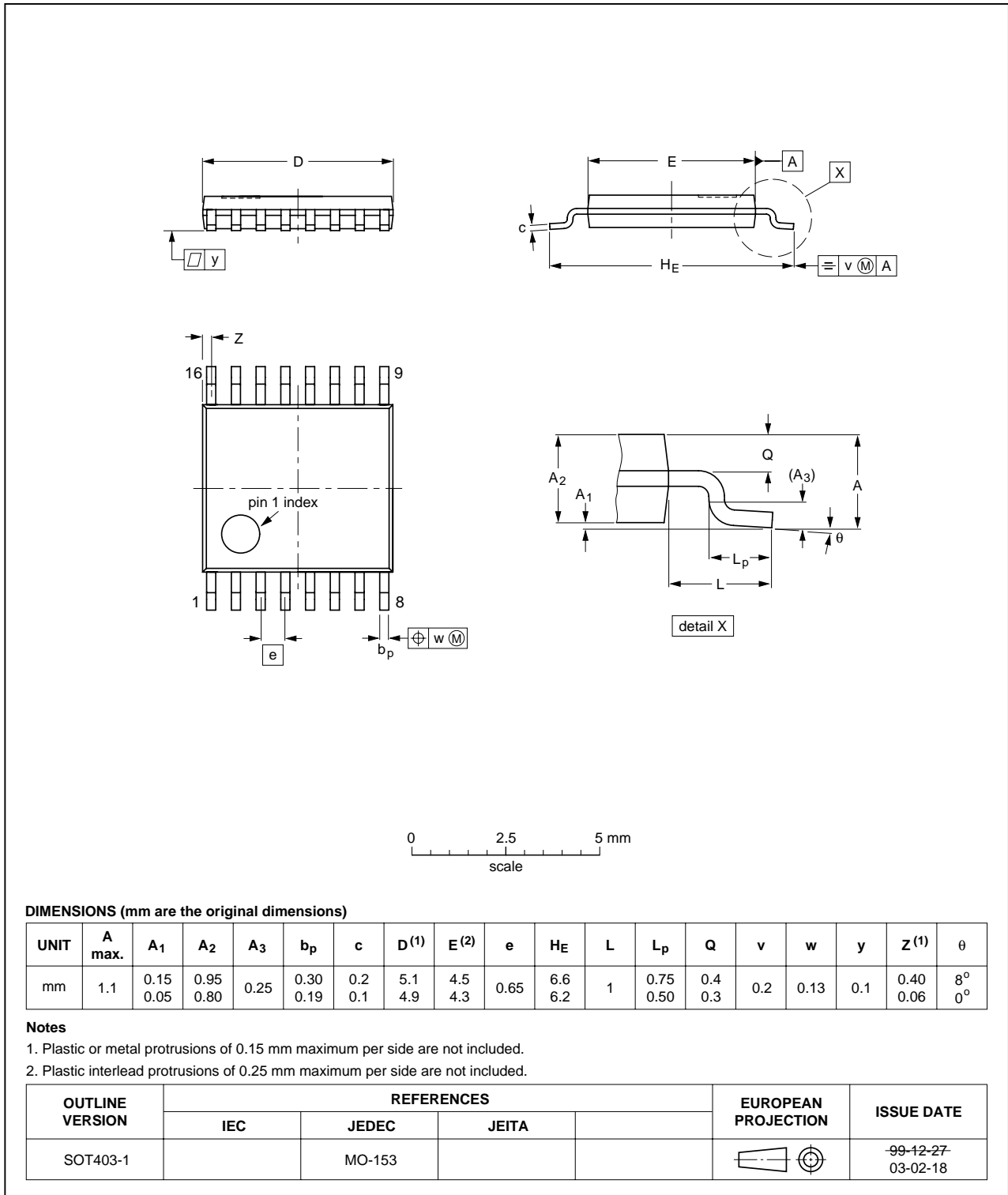


Fig 18. Package outline TSSOP16.

15. Revision history

Table 11: Revision history

Document ID	Release date	Data sheet status	Change notice	Order number	Supersedes
74HC_HCT123_3	20040511	Product data	-	9397 750 13024	74HC_HCT123_2
Modifications: <ul style="list-style-type: none"> • The format of this data sheet has been redesigned to comply with the current presentation and information standard of Philips Semiconductors. • Section 2 on page 1: ESD clause added • Section 8 on page 6, Section 9 on page 7, and Section 10 on page 7: These sections replace references to family specifications • Table note 1 on page 13: Changed 'K' factor from 0.55 to 0.45 • Table note 1 on page 15: Changed 'K' factor from 0.55 to 0.45 					
74HCHCT123_2	19980708	Product specification	-	-	74HC_HCT123_1

16. Data sheet status

Level	Data sheet status ^[1]	Product status ^[2] ^[3]	Definition
I	Objective data	Development	This data sheet contains data from the objective specification for product development. Philips Semiconductors reserves the right to change the specification in any manner without notice.
II	Preliminary data	Qualification	This data sheet contains data from the preliminary specification. Supplementary data will be published at a later date. Philips Semiconductors reserves the right to change the specification without notice, in order to improve the design and supply the best possible product.
III	Product data	Production	This data sheet contains data from the product specification. Philips Semiconductors reserves the right to make changes at any time in order to improve the design, manufacturing and supply. Relevant changes will be communicated via a Customer Product/Process Change Notification (CPCN).

[1] Please consult the most recently issued data sheet before initiating or completing a design.

[2] The product status of the device(s) described in this data sheet may have changed since this data sheet was published. The latest information is available on the Internet at URL <http://www.semiconductors.philips.com>.

[3] For data sheets describing multiple type numbers, the highest-level product status determines the data sheet status.

17. Definitions

Short-form specification — The data in a short-form specification is extracted from a full data sheet with the same type number and title. For detailed information see the relevant data sheet or data handbook.

Limiting values definition — Limiting values given are in accordance with the Absolute Maximum Rating System (IEC 60134). Stress above one or more of the limiting values may cause permanent damage to the device. These are stress ratings only and operation of the device at these or at any other conditions above those given in the Characteristics sections of the specification is not implied. Exposure to limiting values for extended periods may affect device reliability.

Application information — Applications that are described herein for any of these products are for illustrative purposes only. Philips Semiconductors make no representation or warranty that such applications will be suitable for the specified use without further testing or modification.

18. Disclaimers

Life support — These products are not designed for use in life support appliances, devices, or systems where malfunction of these products can reasonably be expected to result in personal injury. Philips Semiconductors customers using or selling these products for use in such applications do so at their own risk and agree to fully indemnify Philips Semiconductors for any damages resulting from such application.

Right to make changes — Philips Semiconductors reserves the right to make changes in the products - including circuits, standard cells, and/or software - described or contained herein in order to improve design and/or performance. When the product is in full production (status 'Production'), relevant changes will be communicated via a Customer Product/Process Change Notification (CPCN). Philips Semiconductors assumes no responsibility or liability for the use of any of these products, conveys no license or title under any patent, copyright, or mask work right to these products, and makes no representations or warranties that these products are free from patent, copyright, or mask work right infringement, unless otherwise specified.

19. Contact information

For additional information, please visit: <http://www.semiconductors.philips.com>

For sales office addresses, send an email to: sales.addresses@www.semiconductors.philips.com

20. Contents

1	General description	1
2	Features	1
3	Quick reference data	2
4	Ordering information	2
5	Functional diagram	3
6	Pinning information	5
6.1	Pinning	5
6.2	Pin description	5
7	Functional description	6
7.1	Function table	6
8	Limiting values	6
9	Recommended operating conditions	7
10	Static characteristics	7
11	Dynamic characteristics	11
12	Waveforms	16
13	Application information	18
13.1	Timing component connections	18
13.2	Power-up considerations	19
13.3	Power-down considerations	19
14	Package outline	20
15	Revision history	24
16	Data sheet status	25
17	Definitions	25
18	Disclaimers	25
19	Contact information	25



© Koninklijke Philips Electronics N.V. 2004

All rights are reserved. Reproduction in whole or in part is prohibited without the prior written consent of the copyright owner. The information presented in this document does not form part of any quotation or contract, is believed to be accurate and reliable and may be changed without notice. No liability will be accepted by the publisher for any consequence of its use. Publication thereof does not convey nor imply any license under patent- or other industrial or intellectual property rights.

Date of release: 11 May 2004
Document order number: 9397 750 13024

Published in The Netherlands