

LM193, LM293, LM293A, LM393 LM393A, LM393Y, LM2903, LM2903Q DUAL DIFFERENTIAL COMPARATORS

SLCS005F – JUNE 1976 – REVISED JUNE 2000

- **Single Supply or Dual Supplies**
- **Wide Range of Supply Voltage**
... 2 V to 36 V
- **Low Supply-Current Drain Independent of Supply Voltage** ... 0.4 mA Typ Per Comparator
- **Low Input Bias Current** ... 25 nA Typ
- **Low Input Offset Current** ... 3 nA Typ (LM193)
- **Low Input Offset Voltage** ... 2 mV Typ
- **Common-Mode Input Voltage Range Includes Ground**
- **Differential Input Voltage Range Equal to Maximum-Rated Supply Voltage** ... ± 36 V
- **Low Output Saturation Voltage**
- **Output Compatible With TTL, MOS, and CMOS**

description

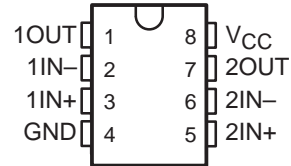
These devices consist of two independent voltage comparators that are designed to operate from a single power supply over a wide range of voltages. Operation from dual supplies also is possible as long as the difference between the two supplies is 2 V to 36 V, and V_{CC} is at least 1.5 V more positive than the input common-mode voltage. Current drain is independent of the supply voltage. The outputs can be connected to other open-collector outputs to achieve wired-AND relationships.

The LM193 is characterized for operation from -55°C to 125°C . The LM293 and LM293A are characterized for operation from -25°C to 85°C . The LM393 and LM393A are characterized for operation from 0°C to 70°C . The LM2903 and LM2903Q are characterized for operation from -40°C to 125°C and are manufactured to demanding automotive requirements.

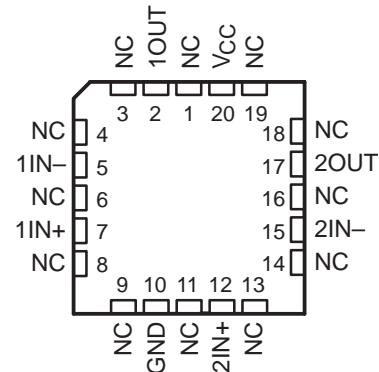
logic diagram (each comparator)



D, JG, P, OR PW PACKAGE
(TOP VIEW)



FK PACKAGE
(TOP VIEW)



NC – No internal connection



Please be aware that an important notice concerning availability, standard warranty, and use in critical applications of Texas Instruments semiconductor products and disclaimers thereto appears at the end of this data sheet.

PRODUCTION DATA information is current as of publication date. Products conform to specifications per the terms of Texas Instruments standard warranty. Production processing does not necessarily include testing of all parameters.

 **TEXAS
INSTRUMENTS**

POST OFFICE BOX 655303 • DALLAS, TEXAS 75265

Copyright © 2000, Texas Instruments Incorporated

LM193, LM293, LM293A, LM393 LM393A, LM393Y, LM2903, LM2903Q DUAL DIFFERENTIAL COMPARATORS

SLCS005F – JUNE 1976 – REVISED JUNE 2000

AVAILABLE OPTIONS

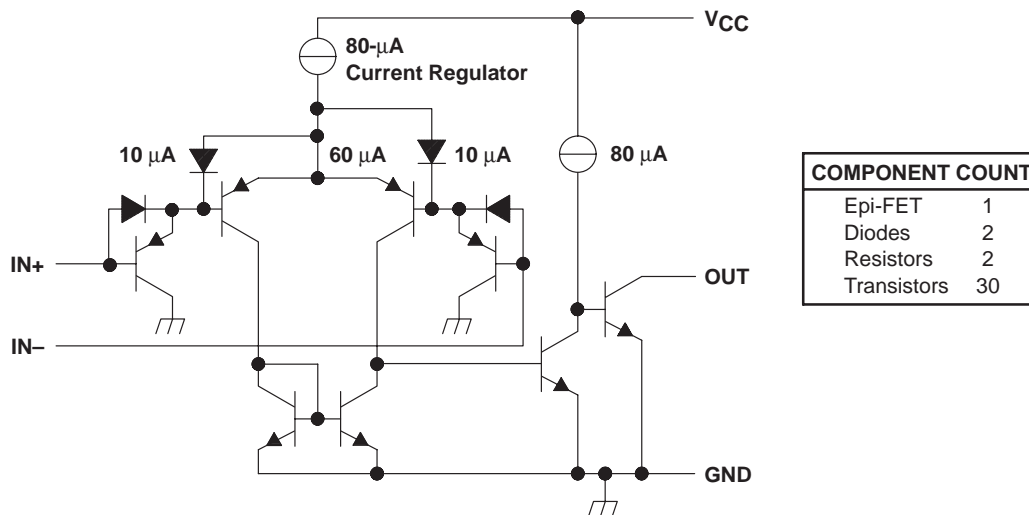
T _A	V _{IO(max)} AT 25°C	PACKAGED DEVICES					CHIP FORM (Y) [§]
		SMALL OUTLINE (D) [†]	CHIP CARRIER (FK)	CERAMIC DIP (JG)	PLASTIC DIP (P)	TSSOP (PW) [‡]	
0°C to 70°C	5 mV	LM393D	—	—	LM393P	LM393PW	LM393Y
	2 mV	LM393AD	—	—	LM393AP	—	—
-25°C to 85°C	5 mV	LM293D	—	—	LM293P	—	—
	2 mV	LM293AD	—	—	LM293AP	—	—
-40°C to 125°C	7 mV	LM2903D	—	—	LM2903P	LM2903PW	—
		LM2903QD	—	—	LM2903QP	—	—
-55°C to 125°C	5 mV	LM193D	LM193FK	LM193JG	LM193P	—	—

[†] The D package is available taped and reeled. Add the suffix R (e.g., LM393DR).

[‡] The PW package is only available left-end taped and reeled (e.g., LM393PWR).

[§] Chips are tested at 25°C (see LM393Y for electrical characteristics).

schematic (each comparator)



Current values shown are nominal.

**LM193, LM293, LM293A, LM393
LM393A, LM393Y, LM2903, LM2903Q
DUAL DIFFERENTIAL COMPARATORS**

SLCS005F – JUNE 1976 – REVISED JUNE 2000

absolute maximum ratings over operating free-air temperature range (unless otherwise noted)†

Supply voltage, V_{CC} (see Note 1)	36 V
Differential input voltage, V_{ID} (see Note 2)	± 36 V
Input voltage range, V_I (either input)	–0.3 V to 36 V
Output voltage, V_O	36 V
Output current, I_O	20 mA
Duration of output short-circuit to ground (see Note 3)	Unlimited
Continuous total power dissipation	See Dissipation Rating Table
Package thermal impedance, θ_{JA} (see Note 4): D package	97°C/W
P package	85°C/W
PW package	149°C/W
Case temperature for 60 seconds: FK package	260°C
Lead temperature 1,6 mm (1/16 inch) from case for 10 seconds: D, P, or PW package	260°C
Lead temperature 1,6 mm (1/16 inch) from case for 60 seconds: JG package	300°C
Storage temperature range, T_{stg}	–65°C to 150°C

† Stresses beyond those listed under “absolute maximum ratings” may cause permanent damage to the device. These are stress ratings only, and functional operation of the device at these or any other conditions beyond those indicated under “recommended operating conditions” is not implied. Exposure to absolute-maximum-rated conditions for extended periods may affect device reliability.

- NOTES:
1. All voltage values, except differential voltages, are with respect to the network ground.
 2. Differential voltages are at $IN+$ with respect to $IN-$.
 3. Short circuits from outputs to V_{CC} can cause excessive heating and eventual destruction.
 4. The package thermal impedance is calculated in accordance with JESD 51.

DISSIPATION RATING TABLE

PACKAGE	$T_A \leq 25^\circ\text{C}$ POWER RATING	DERATING FACTOR	DERATE ABOVE T_A	$T_A = 70^\circ\text{C}$ POWER RATING	$T_A = 85^\circ\text{C}$ POWER RATING	$T_A = 125^\circ\text{C}$ POWER RATING
FK	900 mW	11.0 mW/°C	68°C	880 mW	715 mW	275 mW
JG	900 mW	8.4 mW/°C	43°C	672 mW	546 mW	210 mW



**LM193, LM293, LM293A, LM393
LM393A, LM393Y, LM2903, LM2903Q
DUAL DIFFERENTIAL COMPARATORS**

SLCS005F – JUNE 1976 – REVISED JUNE 2000

electrical characteristics at specified free-air temperature, $V_{CC} = 5\text{ V}$ (unless otherwise noted)

PARAMETER	TEST CONDITIONS	T_A †	LM193			LM293 LM393			UNIT	
			MIN	TYP	MAX	MIN	TYP	MAX		
V_{IO} Input offset voltage	$V_{CC} = 5\text{ V to }30\text{ V}$, $V_O = 1.4\text{ V}$, $V_{IC} = V_{IC(min)}$	25°C		2	5		2	5	mV	
		Full range			9			9		
I_{IO} Input offset current	$V_O = 1.4\text{ V}$	25°C		3	25		5	50	nA	
		Full range			100			250		
I_{IB} Input bias current	$V_O = 1.4\text{ V}$	25°C		-25	-100		-25	-250	nA	
		Full range			-300			-400		
V_{ICR} Common-mode input voltage range‡		25°C	0 to $V_{CC}-1.5$			0 to $V_{CC}-1.5$			V	
		Full range	0 to $V_{CC}-2$			0 to $V_{CC}-2$				
A_{VD} Large-signal differential voltage amplification	$V_{CC} = 15\text{ V}$, $V_O = 1.4\text{ V to }11.4\text{ V}$, $R_L \geq 15\text{ k}\Omega$ to V_{CC}	25°C	50	200		50	200	V/mV		
I_{OH} High-level output current	$V_{OH} = 5\text{ V}$, $V_{ID} = 1\text{ V}$	25°C	0.1			0.1			nA	
	$V_{OH} = 30\text{ V}$, $V_{ID} = 1\text{ V}$	Full range	1			1			μA	
V_{OL} Low-level output voltage	$I_{OL} = 4\text{ mA}$, $V_{ID} = -1\text{ V}$	25°C	150			150			mV	
		Full range	700			700				
I_{OL} Low-level output current	$V_{OL} = 1.5\text{ V}$, $V_{ID} = 1\text{ V}$	25°C	6			6			mA	
I_{CC} Supply current	$R_L = \infty$	$V_{CC} = 5\text{ V}$	25°C	0.8			0.8			mA
		$V_{CC} = 30\text{ V}$	Full range	2.5			2.5			

† Full range (MIN or MAX) for LM193 is -55°C to 125°C, for LM293 is 25°C to 85°C, and for LM393 is 0°C to 70°C. All characteristics are measured with zero common-mode input voltage, unless otherwise specified.

‡ The voltage at either input or common-mode should not be allowed to go negative by more than 0.3 V. The upper end of the common-mode voltage range is $V_{CC+} - 1.5\text{ V}$, but either or both inputs can go to 30 V without damage.



LM193, LM293, LM293A, LM393
LM393A, LM393Y, LM2903, LM2903Q
DUAL DIFFERENTIAL COMPARATORS

SLCS005F – JUNE 1976 – REVISED JUNE 2000

electrical characteristics at specified free-air temperature, $V_{CC} = 5\text{ V}$ (unless otherwise noted)

PARAMETER	TEST CONDITIONS	T_A †	LM293A LM393A			LM2903 LM2903Q			UNIT	
			MIN	TYP	MAX	MIN	TYP	MAX		
V_{IO} Input offset voltage	$V_{CC} = 5\text{ V to }30\text{ V}$, $V_O = 1.4\text{ V}$, $V_{IC} = V_{IC(min)}$	25°C		1	2		2	7	mV	
		Full range			4			15		
I_{IO} Input offset current	$V_O = 1.4\text{ V}$	25°C		5	50		5	50	nA	
		Full range			150			200		
I_{IB} Input bias current	$V_O = 1.4\text{ V}$	25°C		-25	-250		-25	-250	nA	
		Full range			-400			-500		
V_{ICR} Common-mode input voltage range‡		25°C		0 to $V_{CC}-1.5$			0 to $V_{CC}-1.5$		V	
		Full range		0 to $V_{CC}-2$			0 to $V_{CC}-2$			
A_{VD} Large-signal differential voltage amplification	$V_{CC} = 15\text{ V}$, $V_O = 1.4\text{ V to }11.4\text{ V}$, $R_L \geq 15\text{ k}\Omega\text{ to }V_{CC}$	25°C		50	200		25	100	V/mV	
I_{OH} High-level output current	$V_{OH} = 5\text{ V}$, $V_{ID} = 1\text{ V}$	25°C		0.1	50		0.1	50	nA	
	$V_{OH} = 30\text{ V}$, $V_{ID} = 1\text{ V}$	Full range			1			1	μA	
V_{OL} Low-level output voltage	$I_{OL} = 4\text{ mA}$, $V_{ID} = -1\text{ V}$	25°C		150	400		150	400	mV	
		Full range			700			700		
I_{OL} Low-level output current	$V_{OL} = 1.5\text{ V}$, $V_{ID} = 1\text{ V}$	25°C		6			6		mA	
I_{CC} Supply current	$R_L = \infty$	$V_{CC} = 5\text{ V}$	25°C		0.8	1		0.8	1	mA
		$V_{CC} = 30\text{ V}$	Full range			2.5			2.5	

† Full range (MIN or MAX) for LM293A is 25°C to 85°C, for LM393A is 0°C to 70°C, and for LM2903 and LM2903Q is -40°C to 125°C. All characteristics are measured with zero common-mode input voltage, unless otherwise specified.

‡ The voltage at either input or common-mode should not be allowed to go negative by more than 0.3 V. The upper end of the common-mode voltage range is $V_{CC} + 1.5\text{ V}$, but either or both inputs can go to 30 V without damage.

electrical characteristics at $V_{CC} = 5\text{ V}$, $T_A = 25^\circ\text{C}$ (unless otherwise noted)

PARAMETER	TEST CONDITIONS	LM393Y			UNIT
		MIN	TYP§	MAX	
V_{IO} Input offset voltage	$V_{CC} = 5\text{ V to }30\text{ V}$, $V_{IC} = V_{ICR(min)}$, $V_O = 1.4\text{ V}$		2	5	mV
I_{IO} Input offset current			5	50	nA
I_{IB} Input bias current			-25	-250	nA
V_{ICR} Common-mode input voltage range	$V_{CC} = 5\text{ V to }30\text{ V}$		0 to $V_{CC}-1.5$		V
A_{VD} Large-signal differential voltage amplification	$V_{CC} = 15\text{ V}$, $R_L \geq 15\text{ k}\Omega\text{ to }V_{CC}$		25	200	V/mV
I_{OH} High-level output current	$V_{OH} = 5\text{ V}$, $V_{ID} = 1\text{ V}$		0.1	50	nA
V_{OL} Low-level output voltage	$I_{OL} = 4\text{ mA}$, $V_{ID} = -1\text{ V}$		150	400	mV
I_{OL} Low-level output current	$V_{OL} = 1.5\text{ V}$, $V_{ID} = -1\text{ V}$		6		mA
I_{CC} Supply current	$R_L = \infty$, $V_{CC} = 5\text{ V}$		0.8	1	mA

§ All characteristics are measured under open-loop conditions with zero common-mode input voltage, unless otherwise specified.



LM193, LM293, LM293A, LM393
 LM393A, LM393Y, LM2903, LM2903Q
 DUAL DIFFERENTIAL COMPARATORS

SLCS005F – JUNE 1976 – REVISED JUNE 2000

switching characteristics, $V_{CC} = 5\text{ V}$, $T_A = 25^\circ\text{C}$

PARAMETER	TEST CONDITIONS		LM193 LM293, LM293A LM393, LM393A LM2903, LM2903Q			UNIT
			MIN	TYP	MAX	
Response time	R_L connected to 5 V through 5.1 k Ω , $C_L = 15\text{ pF}$ †, See Note 5	100-mV input step with 5-mV overdrive		1.3		μs
		TTL-level input step		0.3		

† C_L includes probe and jig capacitance.

NOTE 5: The response time specified is the interval between the input step function and the instant when the output crosses 1.4 V.



IMPORTANT NOTICE

Texas Instruments and its subsidiaries (TI) reserve the right to make changes to their products or to discontinue any product or service without notice, and advise customers to obtain the latest version of relevant information to verify, before placing orders, that information being relied on is current and complete. All products are sold subject to the terms and conditions of sale supplied at the time of order acknowledgment, including those pertaining to warranty, patent infringement, and limitation of liability.

TI warrants performance of its semiconductor products to the specifications applicable at the time of sale in accordance with TI's standard warranty. Testing and other quality control techniques are utilized to the extent TI deems necessary to support this warranty. Specific testing of all parameters of each device is not necessarily performed, except those mandated by government requirements.

Customers are responsible for their applications using TI components.

In order to minimize risks associated with the customer's applications, adequate design and operating safeguards must be provided by the customer to minimize inherent or procedural hazards.

TI assumes no liability for applications assistance or customer product design. TI does not warrant or represent that any license, either express or implied, is granted under any patent right, copyright, mask work right, or other intellectual property right of TI covering or relating to any combination, machine, or process in which such semiconductor products or services might be or are used. TI's publication of information regarding any third party's products or services does not constitute TI's approval, warranty or endorsement thereof.